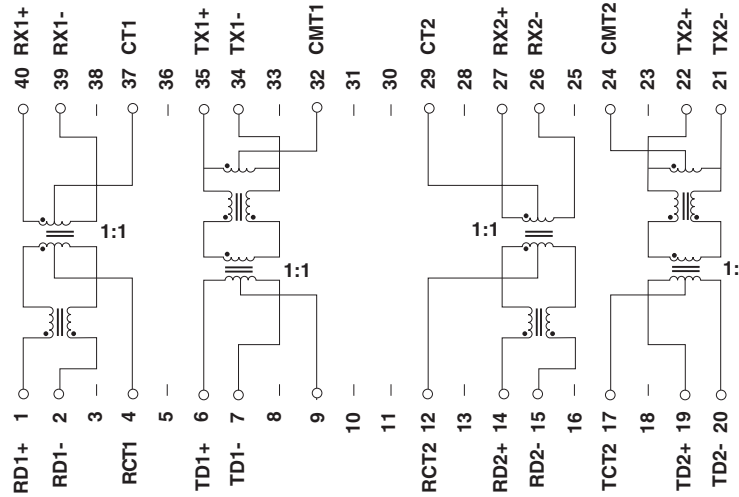


10/100Base-TX Dual Port Transformer Modules

For Use with Transceivers Requiring 1:1 Transmit and Receiving Turns Ratios

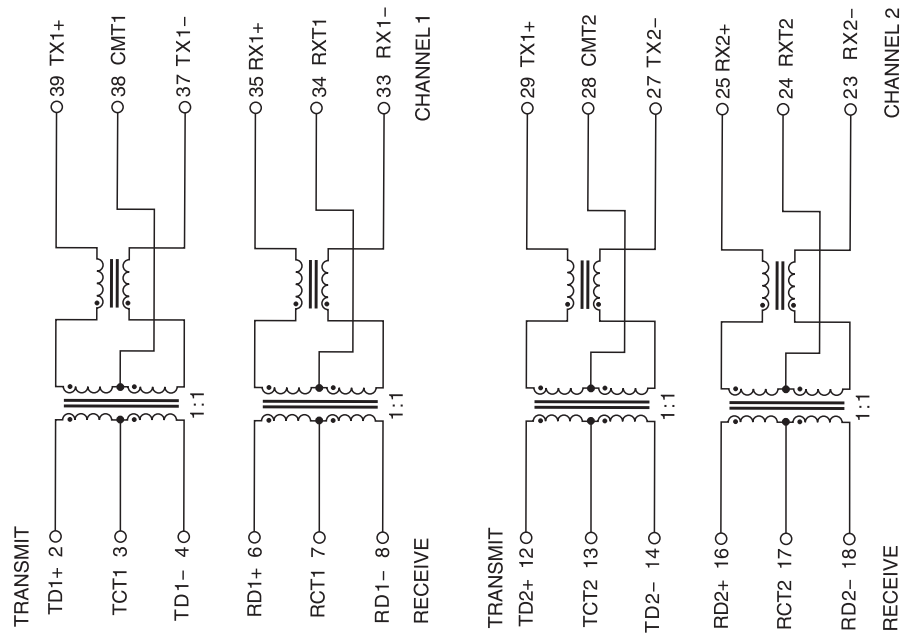
Schematics

H1028NL



H1028 does not have the additional choke.

H1200NL

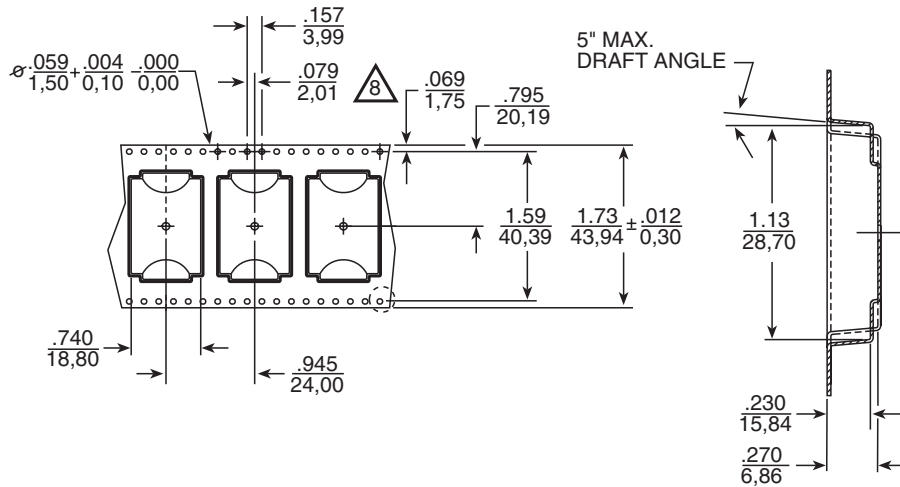


10/100Base-TX Dual Port Transformer Modules

For Use with Transceivers Requiring 1:1 Transmit and Receiving Turns Ratios

Tape & Reel Specifications

HTXXXNL



Weight4.0 grams TYP
Tape & Reel250/reel
Tube15/tube

For More Information:

Americas - prodinfornetworkamericas@pulseelectronics.com | Europe - comms-Apps-Europe@pulseelectronics.com | Asia - prodinfornetworkapac@pulseelectronics.com

Performance warranty of products offered on this data sheet is limited to the parameters specified. Data is subject to change without notice. Other brand and product names mentioned herein may be trademarks or registered trademarks of their respective owners. © Copyright, 2019. Pulse Electronics, Inc. All rights reserved.

Mouser Electronics

Authorized Distributor

Click to View Pricing, Inventory, Delivery & Lifecycle Information:

Pulse:

[H1174](#) [H1174T](#) [H1049T](#) [H1200T](#) [H1200](#) [H1270](#) [H1270T](#) [H1028T](#) [H1027T](#) [H1026T](#) [H1049](#) [H1200NLT](#)
[H1027NL](#) [H1200NL](#) [H1049NL](#) [H1028NLT](#) [H1174NLT](#) [H1049NLT](#) [H1027NLT](#) [H1028NL](#)