

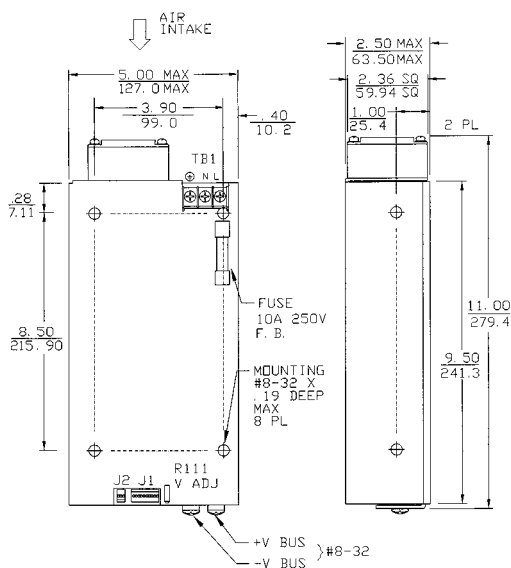
# SPF-500, SPF-750, SPF-1000 Single Output

Commercial Model	Power Out	Output No.	Output	Output Minimum	Output Maximum	Total Regulation
SPF-500-12	500	1	+12 V	0 A	42 A	1%
SPF-500-15	500	1	+15 V	0 A	34 A	1%
SPF-500-24	500	1	+24 V	0 A	21 A	1%
SPF-500-28	500	1	+28 V	0 A	18 A	1%
SPF-500-48	500	1	+48 V	0 A	10.4 A	1%
SPF-750-12	750	1	+12 V	0 A	62 A	1%
SPF-750-15	750	1	+15 V	0 A	50 A	1%
SPF-750-24	750	1	+24 V	0 A	31 A	1%
SPF-750-28	750	1	+28 V	0 A	27 A	1%
SPF-750-48	750	1	+48 V	0 A	16 A	1%
SPF-1000-24	1000	1	+24 V	0 A	42 A	1%
SPF-1000-28	1000	1	+28 V	0 A	36 A	1%
SPF-1000-36	1000	1	+36V	0 A	28 A	1%
SPF-1000-48	1000	1	+48 V	0 A	21 A	1%

## SPF-500, SPF-750, SPF-1000 MECHANICAL SPECIFICATIONS

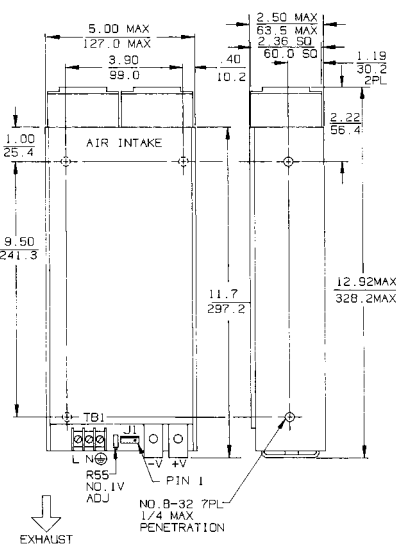
### SPF-500

3.8 lb - 1.7 kg



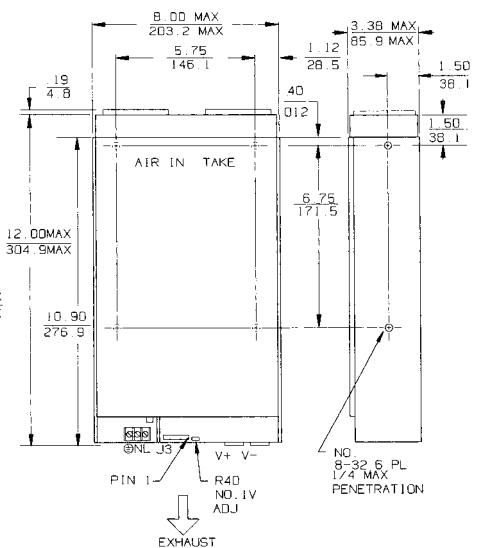
### SPF-750

4.7 lb - 2.1 kg



### SPF-1000

10.4 lb -4.7 kg



Dimensions: Inches  
Millimeters



Condor D.C. Power Supplies, Inc., 2311 Statham Parkway, Oxnard, CA 93033  
800-235-5929 • 805-486-4565 • FAX 805-487-8911 • www.condorpower.com