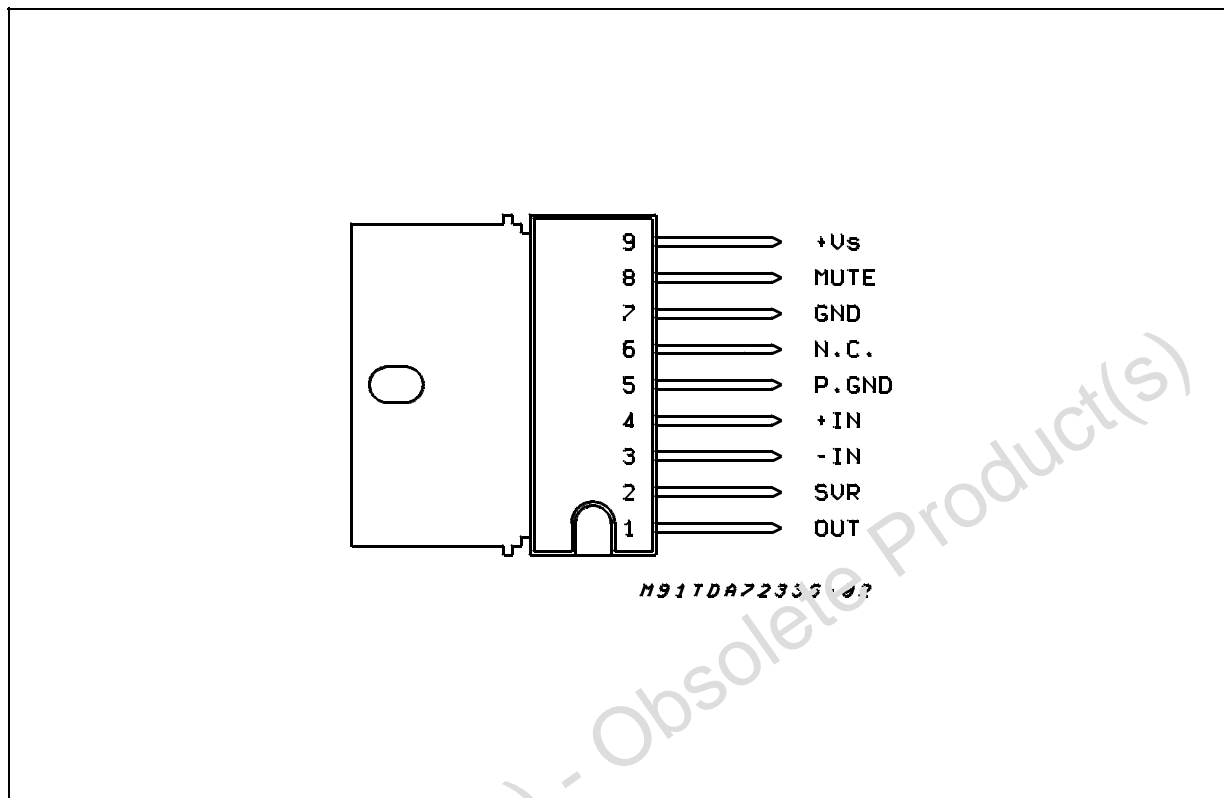


## TDA7233S

### PIN CONNECTION (Top view)



### ABSOLUTE MAXIMUM RATINGS

Symbol	Parameter	Value	Unit
$V_S$	Supply Voltage	16	V
$I_o$	Output Peak Current	1	A
$P_{tot}$	Total Power Dissipation $T_{amb} = 50^\circ\text{C}$	1	W
$T_{stg}, T_j$	Storage and Junction Temperature	-40 to 150	$^\circ\text{C}$

### THERMAL DATA

Symbol	Description	Value	Unit
$R_{th\ j-amb}$	Thermal Resistance Junction-ambient	Max 70	$^\circ\text{C}/\text{W}$
$R_{th\ j-case}$	Thermal Resistance Junction-pins	Max 10	$^\circ\text{C}/\text{W}$

**ELECTRICAL CHARACTERISTICS** ( $V_S = 6V$ ,  $T_{amb} = 25^\circ C$ , unless otherwise specified)

Symbol	Parameter	Test Condition	Min.	Typ.	Max.	Unit
$V_S$	Supply Voltage		1.8		15	V
$V_O$	Quiescent Output Voltage			27		V
		$V_S = 3V$ $V_S = 9V$		1.2 4.2		V V
$I_d$	Quiescent Drain Current	PLAY		3.6	9	mA
		MUTE		0.4		mA
$I_b$	Input Bias Current			100		nA
$P_O$	Output Power	$d = 10\%$ $f = 1kHz$ $V_S = 12V$ $R_L = 8\Omega$		1.9		W
		$V_S = 9V$ $R_L = 4\Omega$		1.6		W
		$V_S = 9V$ $R_L = 8\Omega$	0.8	1		W
		$V_S = 6V$ $R_L = 8\Omega$		0.4		W
		$V_S = 6V$ $R_L = 4\Omega$	0.45	0.7		W
		$V_S = 3V$ $R_L = 4\Omega$		110		mW
		$V_S = 3V$ $R_L = 8\Omega$		70		mW
$d$	Distortion	$P_O = 0.5W$ $R_L = 8\Omega$ $f = 1KHz$ $V_S = 9V$		0.3		%
$G_V$	Closed Loop Voltage Gain	$f = 1KHz$		39		dB
$R_{IN}$	Input Resistance	$f = 1KHz$	100			K $\Omega$
$e_N$	Total Input Noise ( $R_S = 10K\Omega$ )	B = Curve A		2		$\mu V$
		B = 22Hz to 22KHz		3		$\mu V$
SVR	Supply Voltage Rejection	$R_g = 10K\Omega$ $f = 100Hz$	40	45		dB
	MUTE Attenuation	$V_O = 1V$ , $f = 100Hz$ to $10KHz$		70		dB
	MUTE Threshold			0.6		V
$I_M$	MUTE Current	$V_S = 15V$		0.4	2	mA

Figure 1: Output Power vs. Supply Voltage

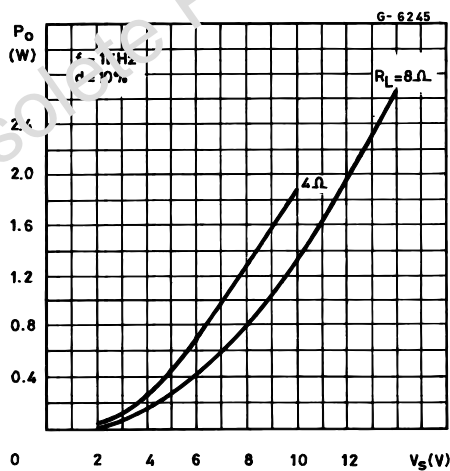


Figure 2: Supply Voltage Rejection vs. Frequency

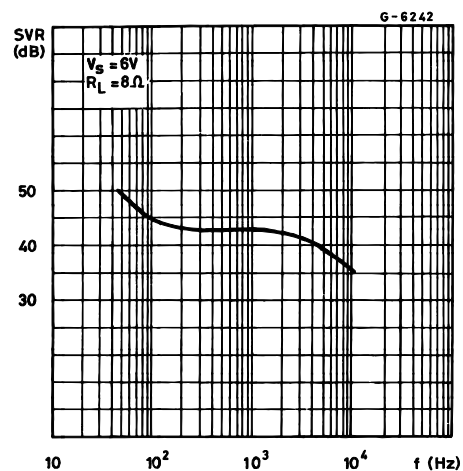


Figure 3: DC Output Voltage vs. Supply Voltage

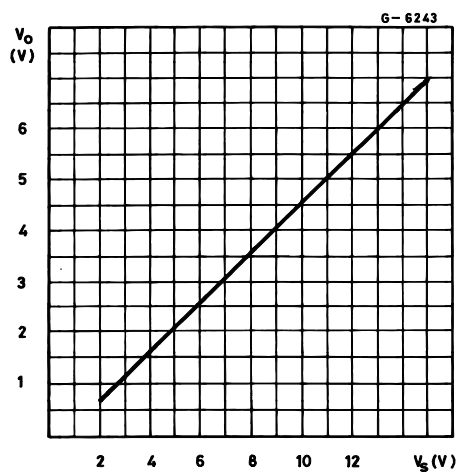


Figure 4: Quiescent Current vs. Supply Voltage

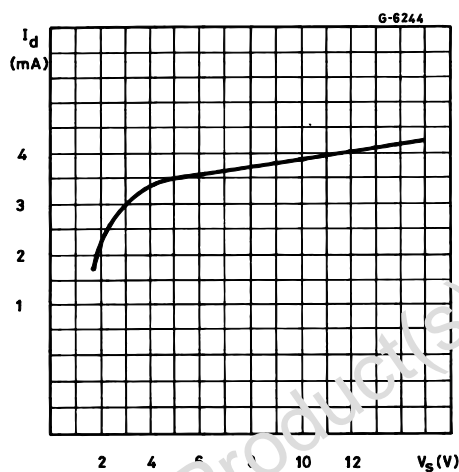
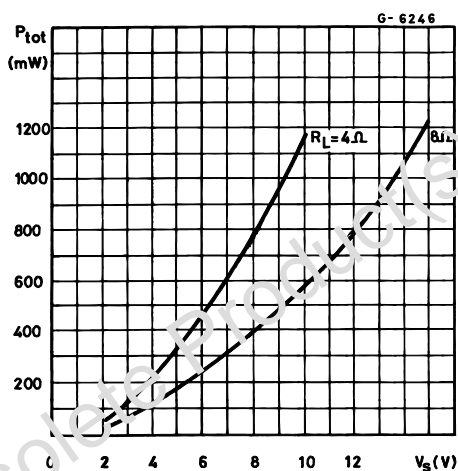
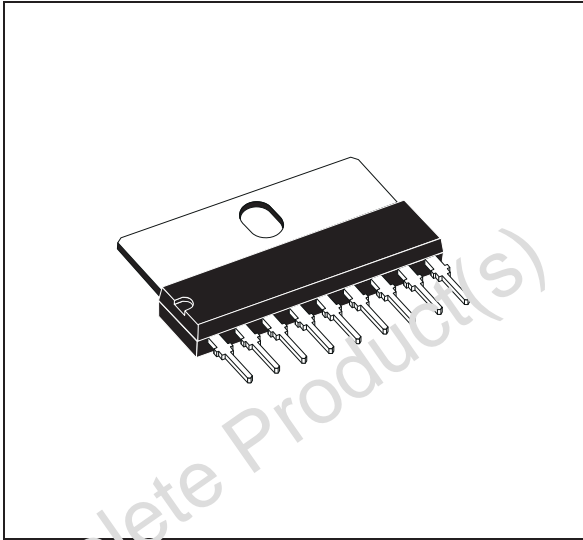


Figure 5: Total Dissipated Power vs. Supply Voltage

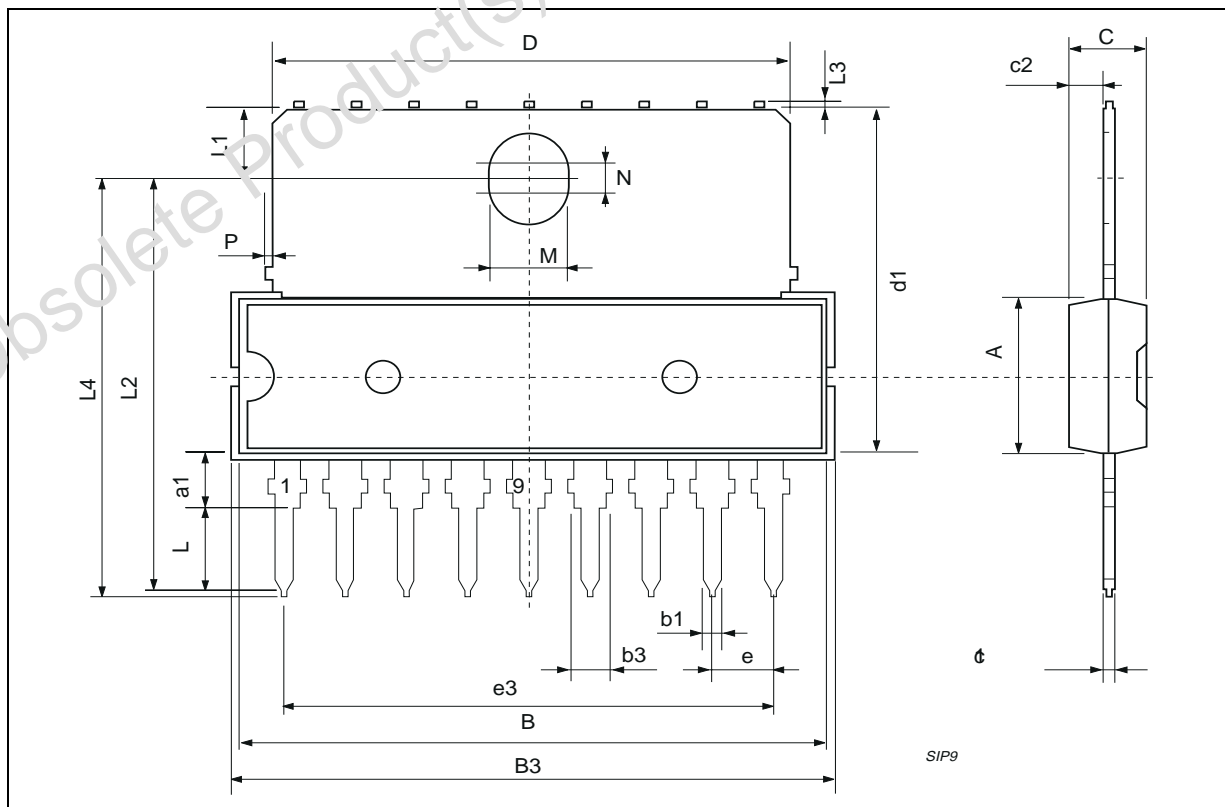


DIM.	mm			inch		
	MIN.	TYP.	MAX.	MIN.	TYP.	MAX.
A			7.1			0.280
a1	2.7		3	0.106		0.118
B			23			0.90
B3			24.8			0.976
b1		0.5			0.020	
b3	0.85		1.6	0.033		0.063
C		3.3			0.130	
c1		0.43			0.017	
c2		1.32			0.052	
D			21.2			0.835
d1		14.5			0.571	
e		2.54			0.100	
e3		20.32			0.800	
L	3.1			0.122		
L1		3			0.118	
L2		17.6			0.693	
L3			0.25		0.010	
L4	17.4		17.85	0.685		0.702
M		3.2			0.126	
N		1			0.039	
P			0.15			0.006

**OUTLINE AND MECHANICAL DATA**



**SIP9**



Obsolete Product(s) - Obsolete Product(s)

Information furnished is believed to be accurate and reliable. However, STMicroelectronics assumes no responsibility for the consequences of use of such information nor for any infringement of patents or other rights of third parties which may result from its use. No license is granted by implication or otherwise under any patent or patent rights of STMicroelectronics. Specifications mentioned in this publication are subject to change without notice. This publication supersedes and replaces all information previously supplied. STMicroelectronics products are not authorized for use as critical components in life support devices or systems without express written approval of STMicroelectronics.

The ST logo is a registered trademark of STMicroelectronics.  
All other names are the property of their respective owners

© 2003 STMicroelectronics - All rights reserved

**STMicroelectronics GROUP OF COMPANIES**

Australia – Belgium - Brazil - Canada - China – Czech Republic - Finland - France - Germany - Hong Kong - India - Israel - Italy - Japan - Malaysia - Malta - Morocco - Singapore - Spain - Sweden - Switzerland - United Kingdom - United States

[www.st.com](http://www.st.com)

# Mouser Electronics

Authorized Distributor

Click to View Pricing, Inventory, Delivery & Lifecycle Information:

[STMicroelectronics:](#)

[TDA7233](#)