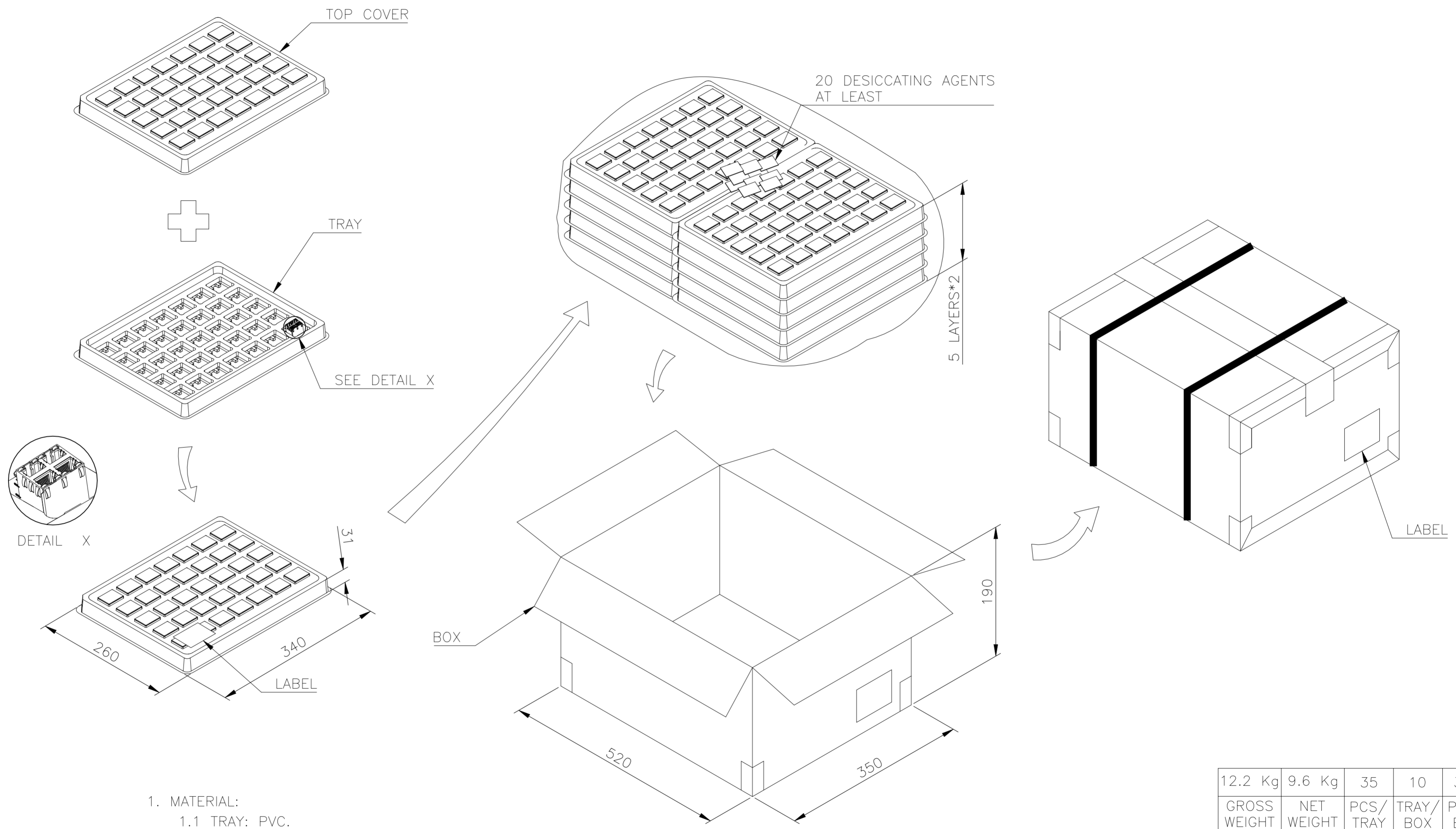


REVISIONS					
P	LTR	DESCRIPTION	DATE	DWN	APVD
-	-	SEE SHEET 1	-	-	-



1. MATERIAL:
  - 1.1 TRAY: PVC.
  - 1.2 BOX: CORRUGATED FIBER.
  - 1.3 BAG: PE.
2. DIMENSION: SEE DRAWING
3. QUANTITY: SEE TABLE
4. WEIGHT: SEE TABLE
5. EACH BAG SHALL BE INCLUDED:
  - \* DESICCANT

THIS DRAWING IS A CONTROLLED DOCUMENT.		DWN E.LIU 05JUL2011														
DIMENSIONS: mm		CHK S.CHEN 05JUL2011														
TOLERANCES UNLESS OTHERWISE SPECIFIED:		APVD W. KODAMA 05JUL2011	NAME MODULAR JACK, CONNECTOR, RJ 45, LED 2X2 SIDE ENTRY, SHIELDED, DIP TYPE H=25.4													
<table border="1"> <tr> <td>0 PLC</td> <td>±</td> </tr> <tr> <td>1 PLC</td> <td>± 0.3</td> </tr> <tr> <td>2 PLC</td> <td>± 0.2</td> </tr> <tr> <td>3 PLC</td> <td>± 0.105</td> </tr> <tr> <td>4 PLC</td> <td>±</td> </tr> <tr> <td>ANGLES</td> <td>± 3°</td> </tr> </table>		0 PLC	±	1 PLC	± 0.3	2 PLC	± 0.2	3 PLC	± 0.105	4 PLC	±	ANGLES	± 3°	PRODUCT SPEC 108-57879	SIZE A2	CAGE CODE 00779
0 PLC	±															
1 PLC	± 0.3															
2 PLC	± 0.2															
3 PLC	± 0.105															
4 PLC	±															
ANGLES	± 3°															
MATERIAL SEE NOTE		FINISH SEE NOTE	WEIGHT 27.45GRAM	DRAWING NO C=2041376												
CUSTOMER DRAWING			SCALE 1:1	SHEET 2 OF 2												

# Mouser Electronics

Authorized Distributor

Click to View Pricing, Inventory, Delivery & Lifecycle Information:

[TE Connectivity:](#)

[2041376-2](#)