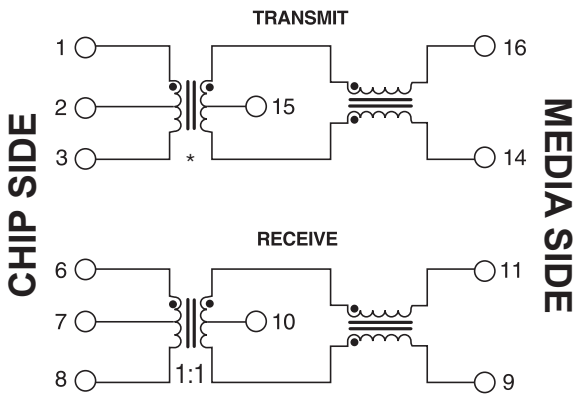


100Base-TX Single Port Surface Mount Magnetics with PoE* Option and 1:1 Turns Ratios

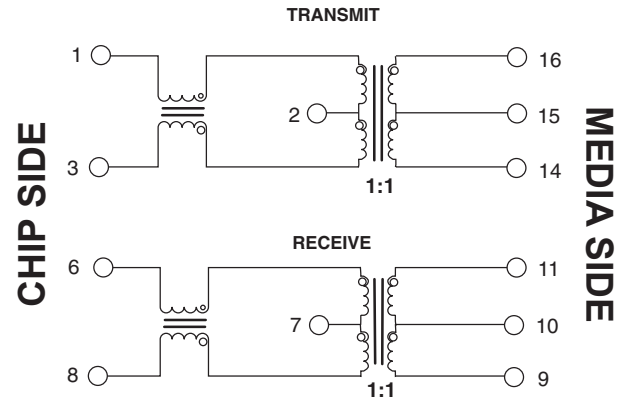
*Power over Ethernet

Schematics

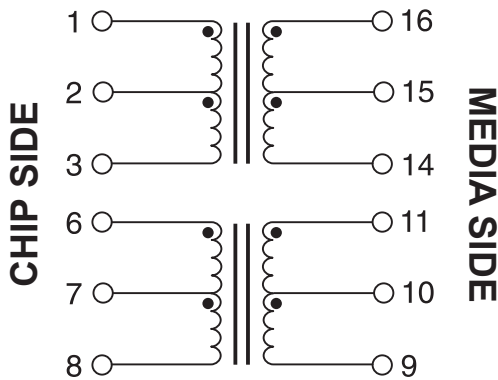
H1102FNL, HX1188FNL H1260FNL, HX1260FNL



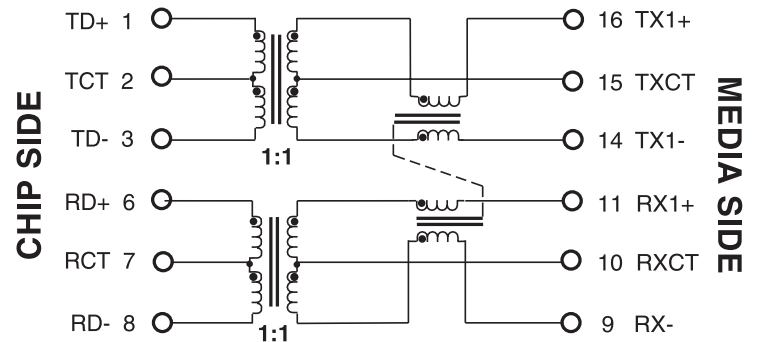
HX1198FNL



H1197FNL



H2019FNL, HX2019FNL

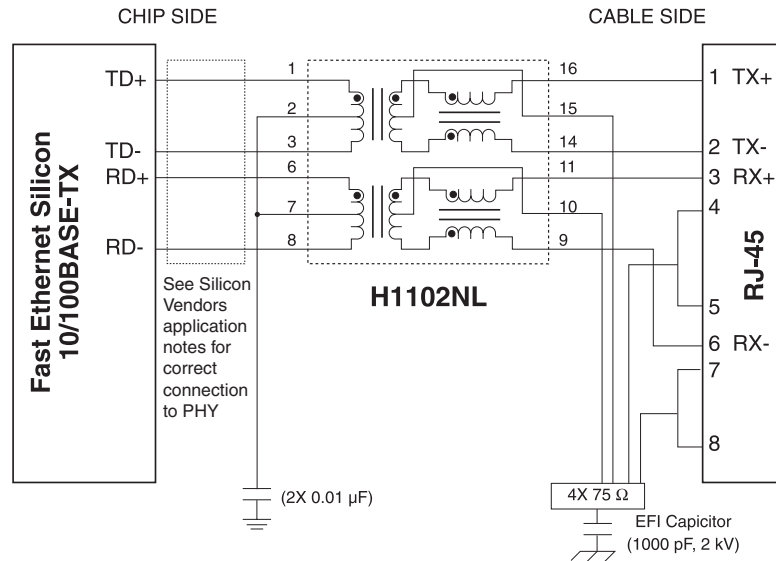


100Base-TX Single Port Surface Mount Magnetics with PoE* Option and 1:1 Turns Ratios

*Power over Ethernet

Typical Application Circuit

H1102FNL



For More Information

Pulse Worldwide Headquarters
12220 World Trade Drive
San Diego, CA
92128
U.S.A.

Tel: 858 674 8100

Pulse Europe
Einsteinstrasse 1
D-71083 Herrenberg
Germany

Tel: 49 7032 7806

Pulse China Headquarters
B402, Shenzhen Academy of
Aerospace Technology Bldg.
10th Kejian Road
High-Tech Zone
Nanshan District
Shenzhen, PR China
518057

Pulse North China
Room 2704/2705
Super Ocean Finance
Ctr.
2067 Yan An Road
West
Shanghai 200336
China

Pulse South Asia
135 Joo Seng Road
#03-02
PM Industrial Bldg.
Singapore 368363

Tel: 65 6287 8998
Fax: 65 6287 8998

Pulse North Asia
3F, No. 198
Zhongyuan Road
Zhongli City
Taoyuan County 320
Taiwan R. O. C.
Tel: 886 3 4356768
Fax: 886 3 4356823
(Pulse)

Performance warranty of products offered on this data sheet is limited to the parameters specified. Data is subject to change without notice. Other brand and product names mentioned herein may be trademarks or registered trademarks of their respective owners. © Copyright, 2013. Pulse Electronics, Inc. All rights reserved.

Mouser Electronics

Authorized Distributor

Click to View Pricing, Inventory, Delivery & Lifecycle Information:

Pulse:

[HX2019FNL](#) [HX1188FNL](#) [HX1198FNL](#) [HX1260FNL](#) [H1260FNL](#) [H1197FNL](#) [H2019FNL](#) [H1102FNL](#)