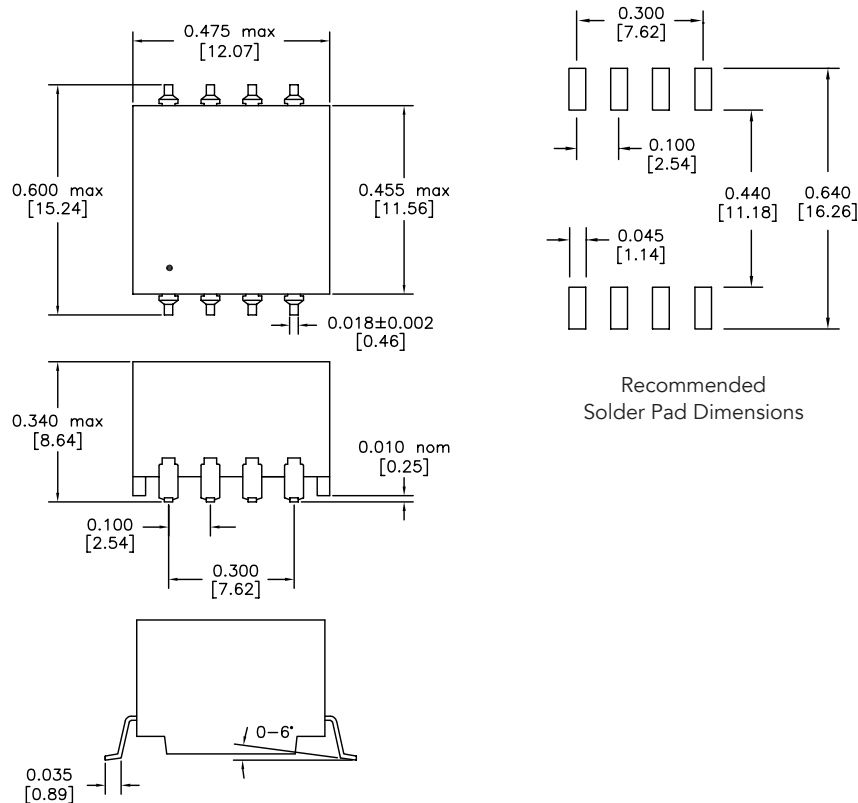


# 3 Watt DC/DC Converter

## Package NF



Recommended  
Solder Pad Dimensions

Dimensions: inches [mm]  
Co-Planarity: 0.004 [0.10]

### US Patent Numbers for SMD Devices

5,656,985      6,297,721 B1  
6,297,720 B1    6,320,489 B1  
6,344,785 B1    6,662,431 B1



2880 Lakeside Drive #116  
Santa Clara, CA 95054  
(650) 903-3800  
[www.haloelectronics.com](http://www.haloelectronics.com)

HALO® Electronics is a leading supplier of high quality communication magnetics including signal transformers, filters, CMR chokes, PoE power transformers, DC/DC converters, and integrated Ethernet connectors. HALO's leading edge technology solutions are manufactured in ISO9001 and ISO14001 factories offering high quality products at a competitive price.

# Mouser Electronics

Authorized Distributor

Click to View Pricing, Inventory, Delivery & Lifecycle Information:

[HALO Electronics:](#)

[TGM-H281NFLF](#) [TGM-H251NFRLTR](#) [TGM-H281NFRLTR](#) [TGM-H251NFLF](#) [TGM-H281NFLFTR](#) [TGM-H251NFLFTR](#)