

ELECTRICAL SPECIFICATIONS

Input	
Input range	9 - 36 VDC; 18 - 75 VDC
Efficiency	85% @ 12 Vo
Output	
Voltage tolerance	2.0%
Line regulation	+0.5%
Load regulation	+0.5%
Cross regulation	Dual output 4%
Noise/ripple	All models: 100 mV
Short circuit protection	Auto-restart
Overvoltage protection	120 - 130% nominal output
Switching frequency	300 KHz
Temperature co-efficient	+0.02% / °C
Isolation	
I/O isolation	1500 VDC min
Insulation resistance	10 Mohm
Insulation capacitance	1000 pF

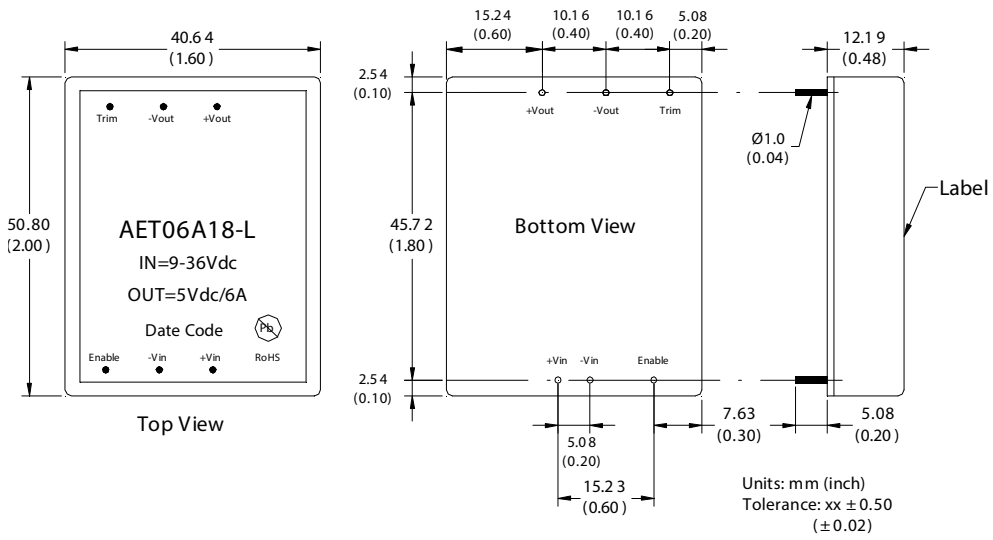
ENVIRONMENTAL SPECIFICATIONS

Operating ambient temperature range	-40 °C to +71 °C
Storage temperature	-55 °C to +105 °C
Humidity	5% to 95% non-condensing
MTBF	500 Khrs calculated

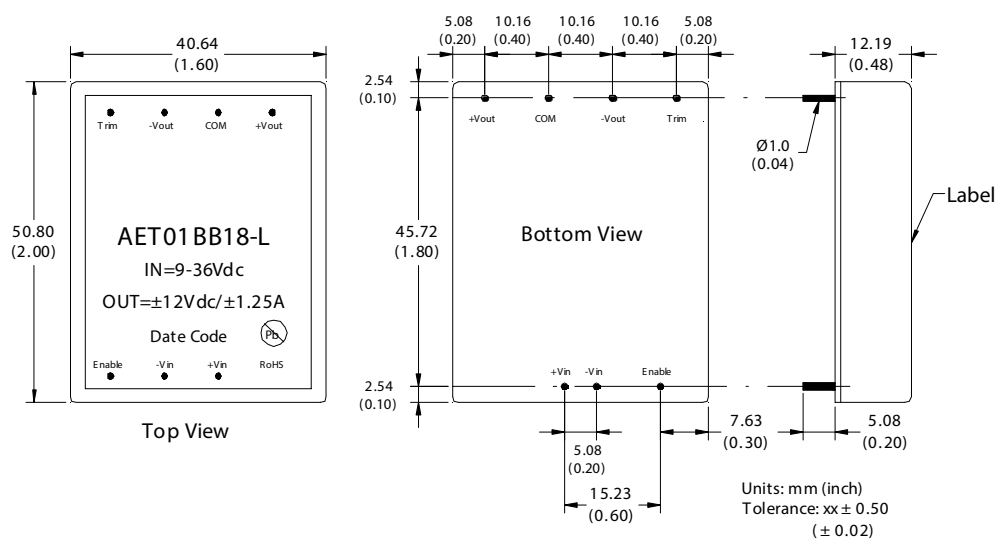
ORDERING INFORMATION

Model Number	Input Voltage	Output Voltage 1	Output Voltage 2	Maximum Power
AET08G18L	9 - 36 V	2.5 V @ 8 A		20 W
AET07F18-L	9 - 36 V	3.3 V @ 7 A		23 W
AET06A18-L	9 - 36 V	5 V @ 6 A		30 W
AET02B18-L	9 - 36 V	12 V @ 2.5 A		30 W
AET02C18-L	9 - 36 V	15 V @ 2 A		30 W
AET01BB18-L	9 - 36 V	12 V @ 1.25 A	-12 V @ 1.25 A	30 W
AET01CC18-L	9 - 36 V	15 V @ 1 A	-15 V @ 1 A	30 W
AET08G36-L	18 - 75 V	2.5 V @ 8 A		20 W
AET07F36-L	18 - 75 V	3.3 V @ 7 A		23 W
AET06A36-L	18 - 75 V	5 V @ 6 A		30 W
AET02B36-L	18 - 75 V	12 V @ 2.5 A		30 W
AET02C36-L	18 - 75 V	15 V @ 2 A		30 W
AET01BB36-L	18 - 75 V	12 V @ 1.25 A	-12 V @ 1.25 A	30 W
AET01CC36-L	18 - 75 V	15 V @ 1 A	-15 V @ 1 A	30 W

MECHANICAL DRAWING - SINGLE OUTPUT



MECHANICAL DRAWING - DUAL OUTPUT





For international contact information,
visit advancedenergy.com.

powersales@aei.com (Sales Support)
productsupport.ep@aei.com (Technical Support)
+1 888 412 7832

ABOUT ADVANCED ENERGY

Advanced Energy (AE) has devoted more than three decades to perfecting power for its global customers. AE designs and manufactures highly engineered, precision power conversion, measurement and control solutions for mission-critical applications and processes.

Our products enable customer innovation in complex applications for a wide range of industries including semiconductor equipment, industrial, manufacturing, telecommunications, data center computing, and medical. With deep applications know-how and responsive service and support across the globe, we build collaborative partnerships to meet rapid technological developments, propel growth for our customers, and innovate the future of power.

PRECISION | POWER | PERFORMANCE

Specifications are subject to change without notice. Not responsible for errors or omissions. ©2020 Advanced Energy Industries, Inc. All rights reserved. Advanced Energy®, AE® and Artesyn™ are U.S. trademarks of Advanced Energy Industries, Inc.

Mouser Electronics

Authorized Distributor

Click to View Pricing, Inventory, Delivery & Lifecycle Information:

Artesyn Embedded Technologies:

[AET06A36-L](#) [AET02C18-L](#) [AET01BB18-L](#) [AET07F18-L](#) [AET06A18-L](#) [AET02B36-L](#) [AET01CC36-L](#) [AET07F36-L](#)
[AET01CC18-L](#) [AET01BB36-L](#) [AET08G36-L](#) [AET02B18-L](#) [AET02C36-L](#)