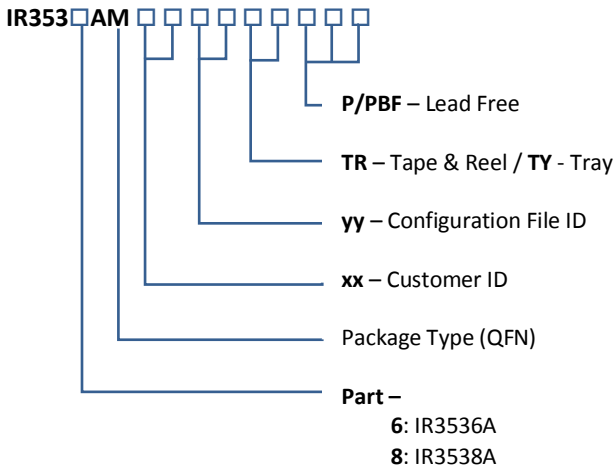


**ORDERING INFORMATION**



Package	Packing Qty	Part Number	Programming
QFN	TR=3000	<b>IR3536AMTRPBF</b>	Default
	TY=2600	<b>IR3536AMTYPBF</b>	
QFN	TR=3000	<b>IR3538AMTRPBF</b>	Default
	TY=2600	<b>IR3538AMTYPBF</b>	
QFN	TR=3000	<b>IR3536AMxxyyTRP<sup>1</sup></b>	Customer Configuration
QFN	TR=3000	<b>IR3538AMxxyyTRP<sup>1</sup></b>	Customer Configuration

**Notes:**

- Customer Specific Configuration File, where xx = Customer ID and yy = Configuration File (Codes assigned by IR Marketing).

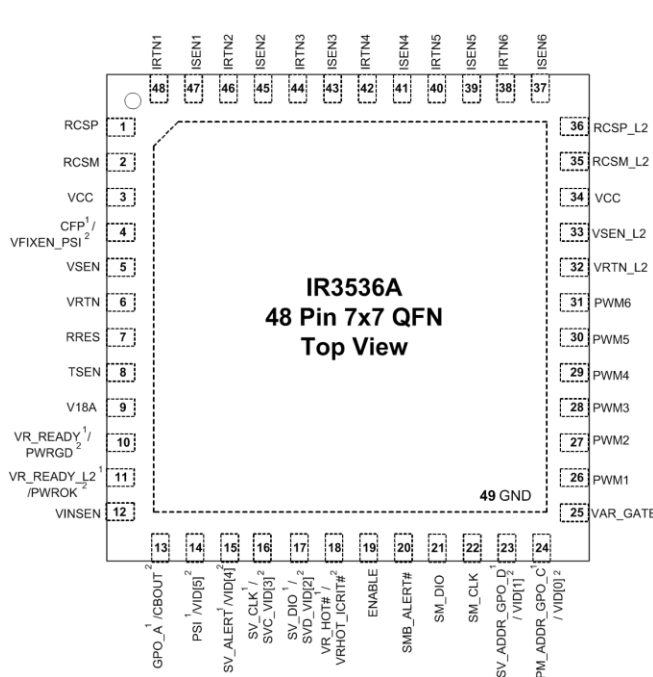


Figure 3: IR3536A Package Top View, Enlarged

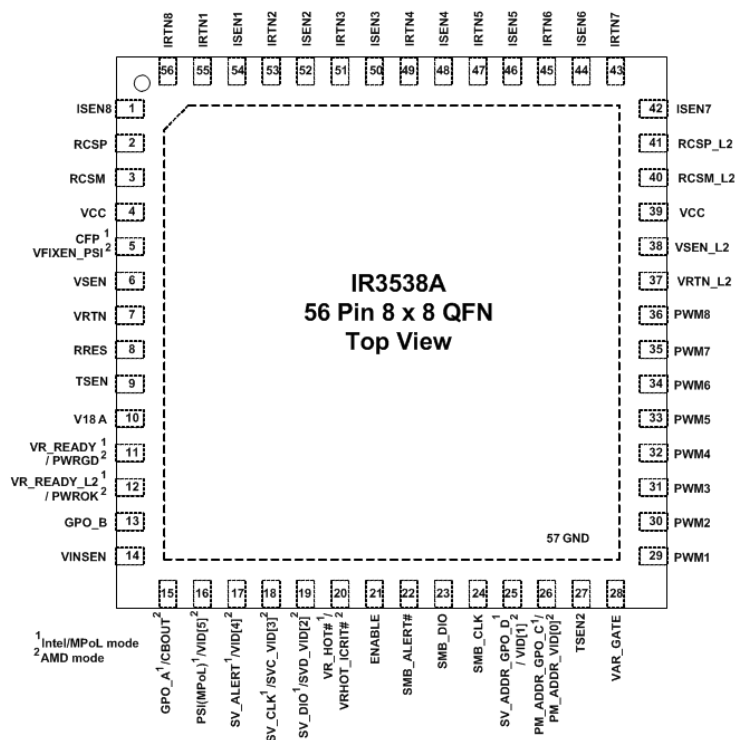


Figure 4: IR3538A Package Top View, Enlarged

**FUNCTIONAL BLOCK DIAGRAM**

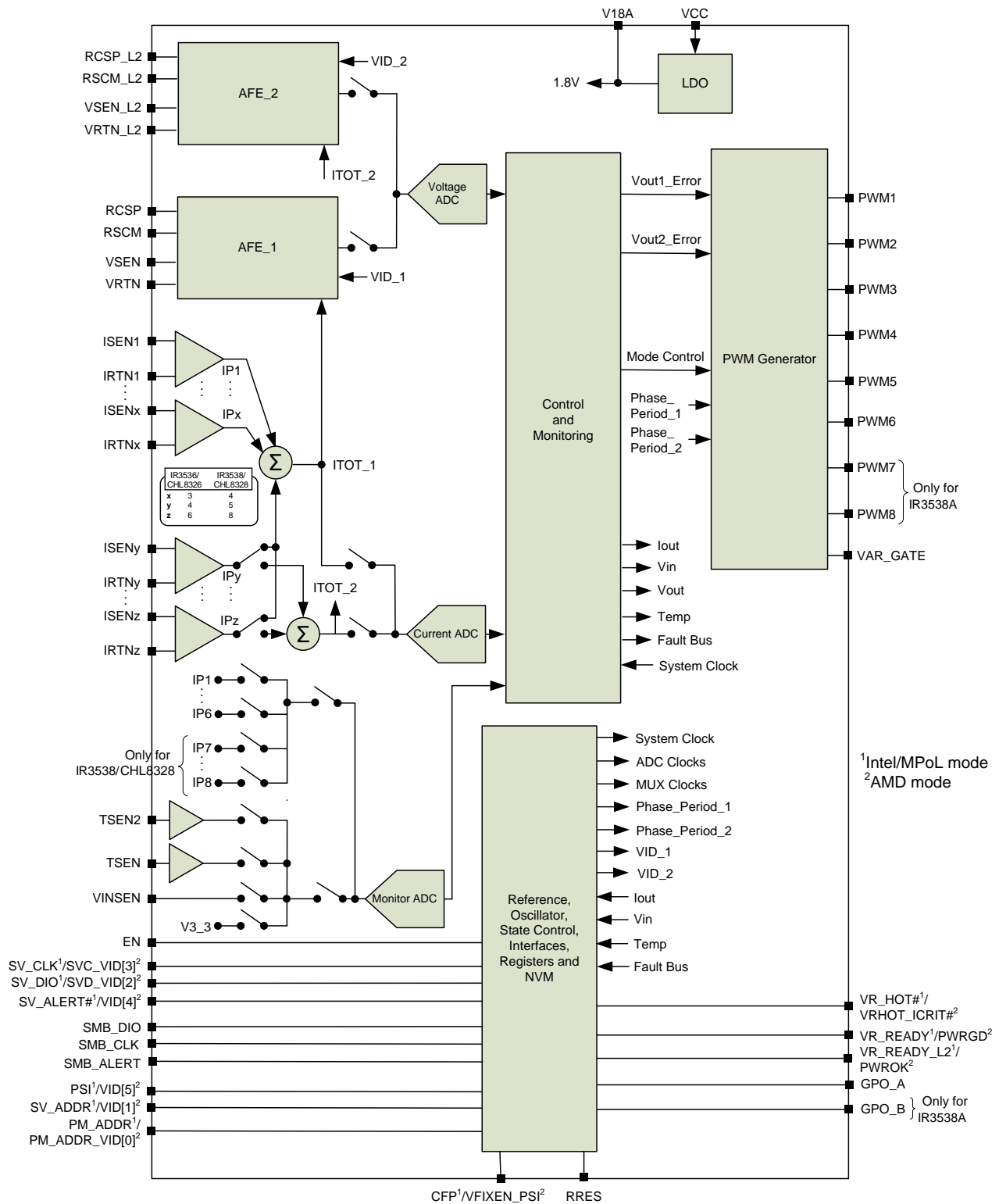


Figure 5: IR3536A / IR3538A Functional Block Diagram

# Mouser Electronics

Authorized Distributor

Click to View Pricing, Inventory, Delivery & Lifecycle Information:

[Infineon:](#)

[IR3538AMTRPBF](#) [IR3536AMTRPBF](#)