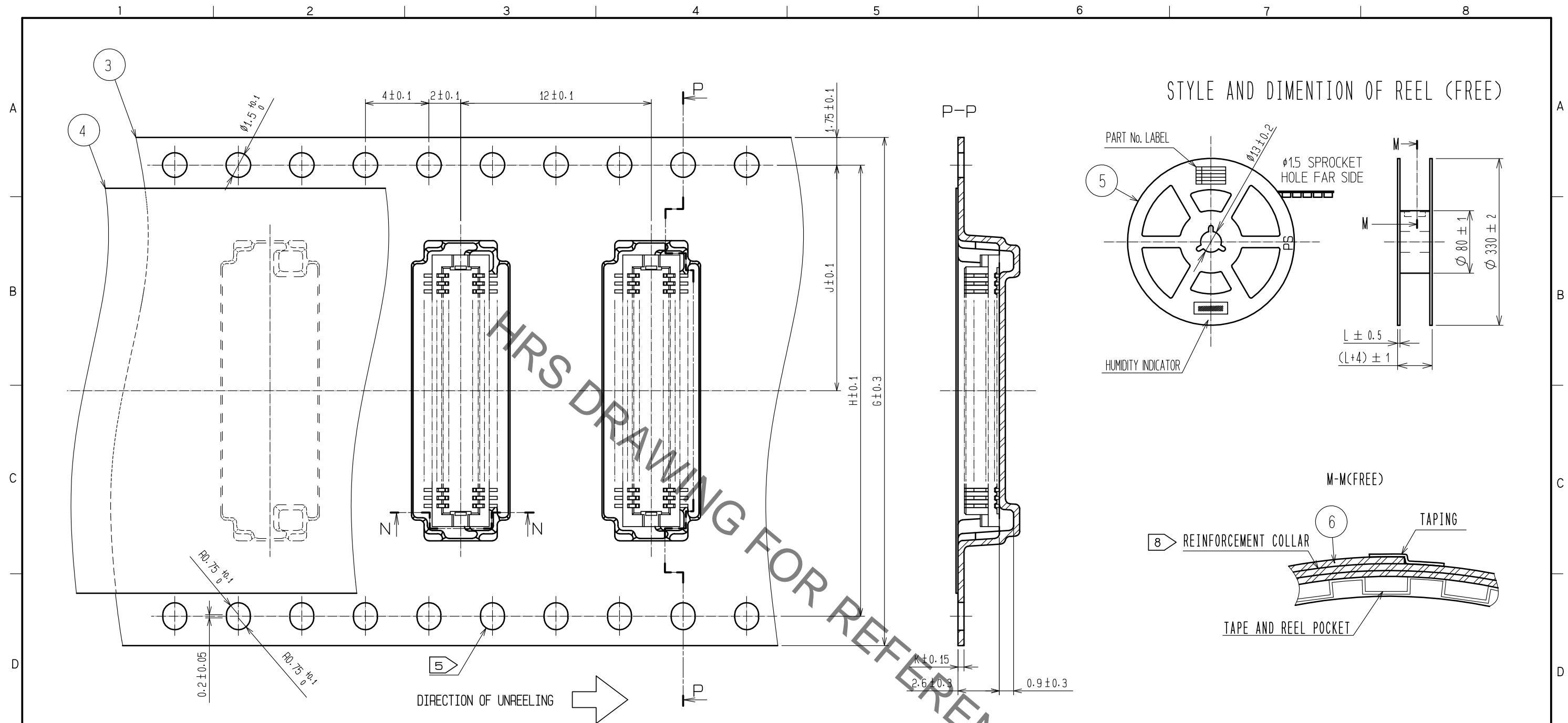
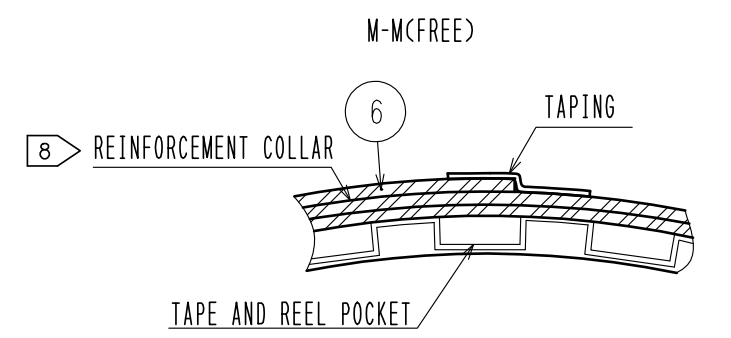
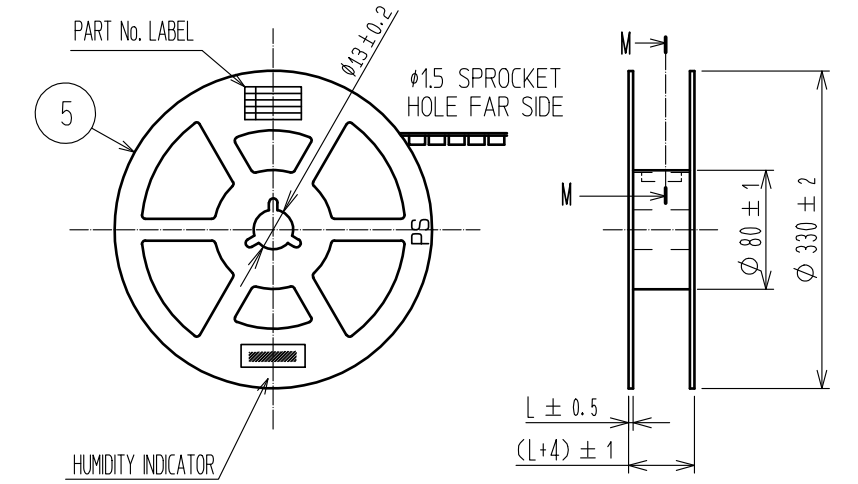


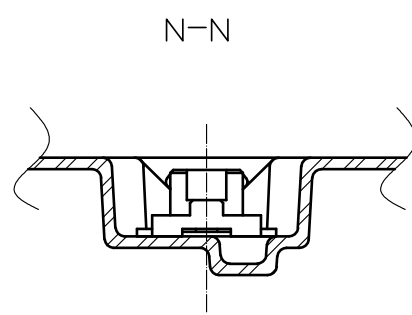
Aug.1.2020 Copyright 2020 HIROSE ELECTRIC CO., LTD. All Rights Reserved.
 In case of consideration for using Automotive equipment / device which demand high reliability, kindly contact our sales window correspondents.



STYLE AND DIMENTION OF REEL (FREE)



CODE No.	CONTACT	G	H	J	K	L
CL537-0686-0-81	10	16	-	7.5	0.30	17.5
CL537-0917-1-81	14	16	-	7.5	0.30	17.5
CL537-0688-6-81	20	16	-	7.5	0.38	17.5
CL537-0690-8-81	30	24	-	11.5	0.38	25.5
CL537-0697-7-81	32	24	-	11.5	0.30	25.5
CL537-0691-0-81	36	24	-	11.5	0.38	25.5
CL537-0692-3-81	40	24	-	11.5	0.38	25.5
CL537-0694-9-81	50	24	-	11.5	0.38	25.5
CL537-0696-4-81	60	32	28.4	14.2	0.38	33.5



- NOTES
- 3 1 REEL 1000 CONNECTORS.
 - 4 AT THE BEGINNING OF THE REEL, 30 COMPONENTS SHALL BE EMPTY.
 AT THE END OF THE REEL, 20 COMPONENTS SHALL BE EMPTY.
 - 5 WHEN THE TAPE WIDTH IS 32 mm OR 44 mm, SPROCKET HOLES SHALL BE SET ON BOTH SIDE OF REEL AS SHOWN ON THIS DRAWING.
 - 6 PEEL FORCE REFERS TO JIS C 0806. (IEC 60286-3)
 - 7 SPECIAL PACKING IS APPLIED FOR THIS PRODUCT, USING POLYAMIDE RESIN, TO IMPROVE MOISTURE RESISTANCE.
 AFTER OPENING AND WHEN RESTORING IS NEEDED, PLEASE PUT THE PRODUCT WITH DESICCANT IN A SEALED ALUMINIUM BAG.
 IN CASE THE COLOR OF THE INDICATOR(30%) TURNED TO PINK, DO BAKING THE PRODUCTS(50℃, 48HOURS).
 - 8 AFTER PACKING, ROLL 2 METERS OF THE REINFORCEMENT COLLAR TO OUTER CIRCUMFERENCE OF TAPE AND REEL POCKET, AND TAPE DOWN AT THE END THE COLLAR.

HRS	DRAWING NO.	EDC-162254-81-78
	PART NO.	DF12C(3.0)-*DS-0.5V(81)
	CODE NO.	CL537

Mouser Electronics

Authorized Distributor

Click to View Pricing, Inventory, Delivery & Lifecycle Information:

[Hirose Electric:](#)

[DF12C\(3.0\)-50DS-0.5V\(81\)](#)