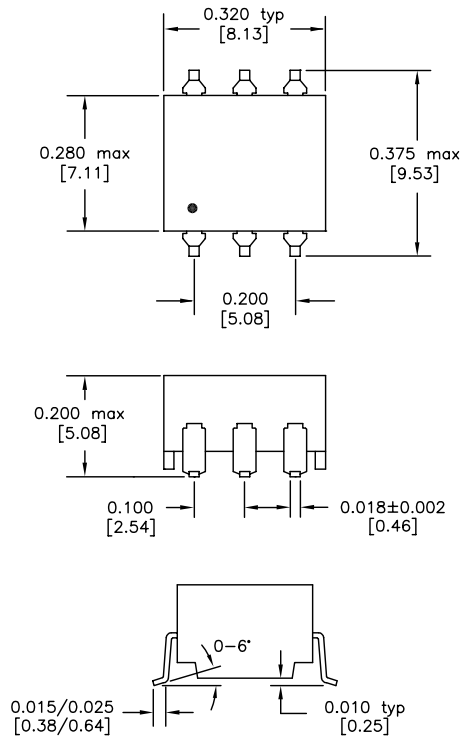


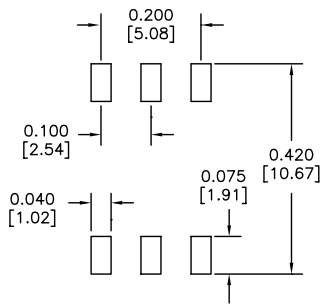
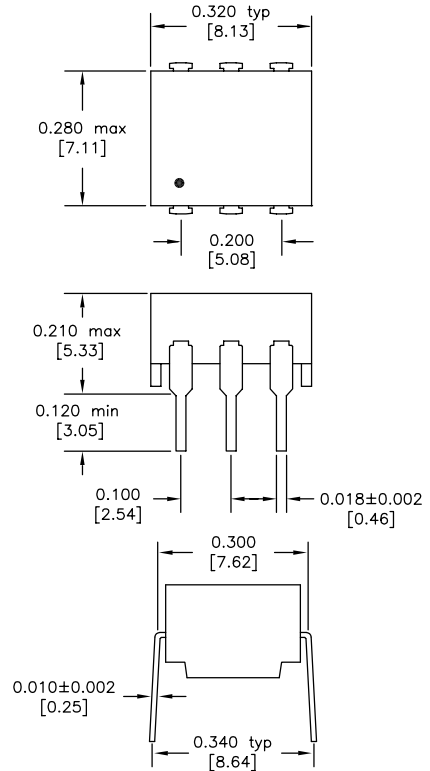
# 6 Pin, 1.5kVrms DC/DC Converter Isolation Modules

## SMD Package (NS)

## DIL Package (NE)



Dimensions: inches [mm]  
Co-Planarity: 0.004 [0.10]



Recommended  
Solder Pad Dimensions

US Patent Numbers for SMD Devices  
5,656,985      6,297,721 B1  
6,297,720 B1      6,320,489 B1  
6,344,785 B1      6,662,431 B1



2880 Lakeside Drive #116  
Santa Clara, CA 95054  
(650) 903-3800  
[www.haloelectronics.com](http://www.haloelectronics.com)

HALO® Electronics is a leading supplier of high quality communication magnetics including signal transformers, filters, CMR chokes, PoE power transformers, DC/DC converters, and integrated Ethernet connectors. HALO's leading edge technology solutions are manufactured in ISO9001 and ISO14001 factories offering high quality products at a competitive price.

© Copyright 2014 HALO Electronics, Inc. All rights reserved.

Revised 5/2014 Download the latest version at [www.haloelectronics.com/pdf/discrete-dc2dc-6pin15kv.pdf](http://www.haloelectronics.com/pdf/discrete-dc2dc-6pin15kv.pdf)

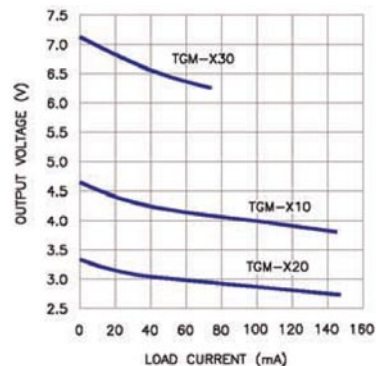
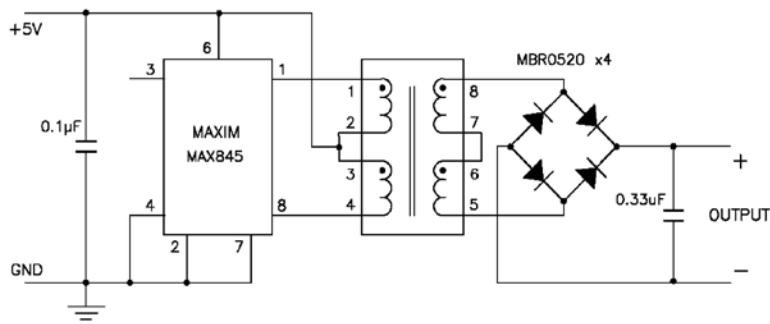
# Maxim MAX253/MAX845 DC/DC Converter Application Note



The TDM and TGM series of transformers have been designed specifically for use with the Maxim™ MAX253 and MAX845 monolithic oscillator/power driver with 3.3V or 5V power source. Multiple output voltages can be achieved depending on the diode circuit and transformer selected. For more information, pertaining to the MAX253/MAX845 please contact Maxim at (408) 737-7600. Maxim is a registered trademark of Maxim Integrated Products.

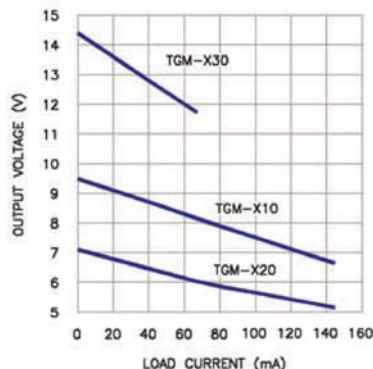
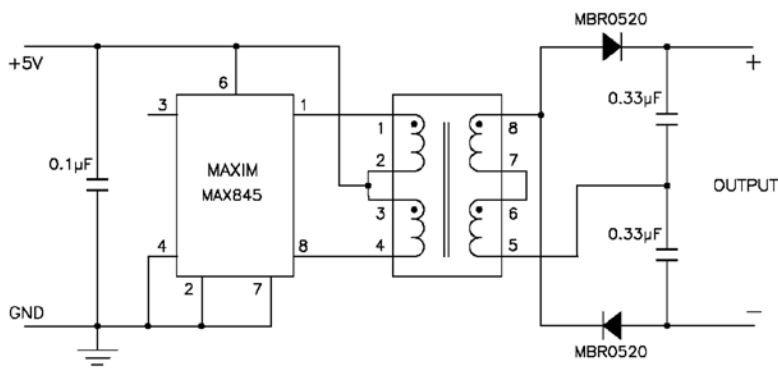
## Bridge Rectifier Circuit

## Output Voltages



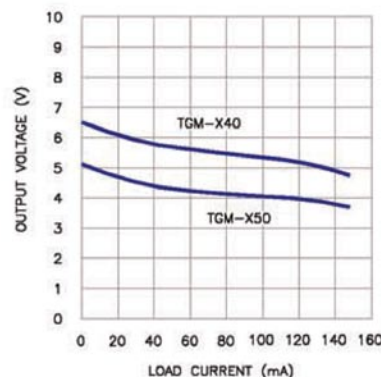
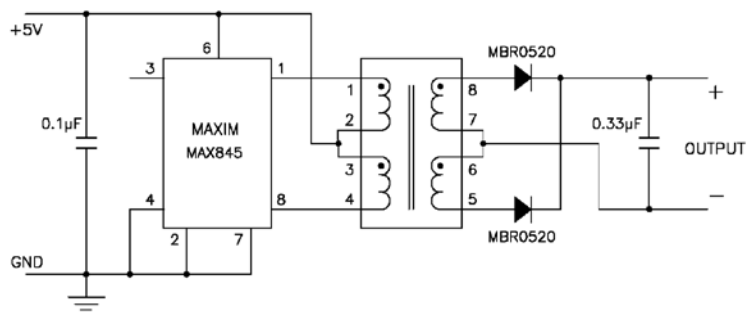
## Doubler Circuit

## Output Voltages



## Full Wave Rectifier Circuit

## Output Voltages



# Mouser Electronics

Authorized Distributor

Click to View Pricing, Inventory, Delivery & Lifecycle Information:

## HALO Electronics:

[TGM-240NSLF](#) [TGM-230NSLF](#) [TGM-210NSLF](#) [TGM-250NSLF](#) [TGM-280NSLF](#) [TGM-210NSRL](#) [TGM-240NSLFTR](#)  
[TGM-210NSRLTR](#) [TGM-220NSRLTR](#) [TGM-240NSRLTR](#) [TGM-280NSRLTR](#) [TGM-230NSRLTR](#) [TGM-220NSRL](#)  
[TGM-250NSRLTR](#) [TGM-250NSRL](#) [TGM-230NSRL](#) [TGM-280NSRL](#) [TGM-240NSRL](#) [TDM-240NERL](#) [TDM-250NERL](#)  
[TDM-220NERL](#) [TDM-230NERL](#) [TDM-210NERL](#) [TDM-280NELF](#) [TDM-220NELF](#) [TDM-240NELF](#) [TDM-250NELF](#)  
[TGM-220NSLF](#) [TDM-210NELF](#) [TDM-230NELF](#) [TGM-210NSLFTR](#) [TGM-220NSLFTR](#) [TGM-280NSLFTR](#) [TGM-](#)  
[230NSLFTR](#) [TGM-250NSLFTR](#)