

Contents

1	Description	4
2	Package mechanical data	11
3	Revision history	13

Obsolete Product(s) - Obsolete Product(s)

1 Description

The 74V2G66 is an advanced high-speed CMOS dual bilateral switch developed using silicon gate C²MOS technology. It achieves high speed propagation delay and very low ON resistance, while maintaining true CMOS low power consumption. This bilateral switch handles rail-to-rail analog and digital signals that may vary across the full power supply range (from GND to V_{CC}).

The C input is provided to control the switch, and it is compatible with standard CMOS output; the switch is ON (port I/O is connected to port O/I) when the C input is held high and OFF (high impedance state exists between the two ports) when C is held low. It can be used in various applications, such as battery-powered systems and test equipment. It is available in the commercial and extended temperature range housed in a SOT23-8L package. All inputs and outputs are equipped with protection circuits to defend against static discharge, giving them ESD immunity and transient excess voltage protection.

Figure 1. Pin connection and IEC logic symbols

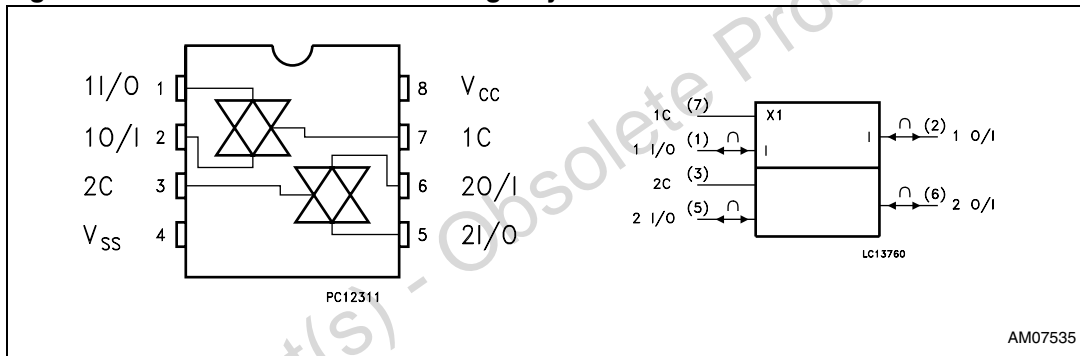


Figure 2. Input equivalent circuit

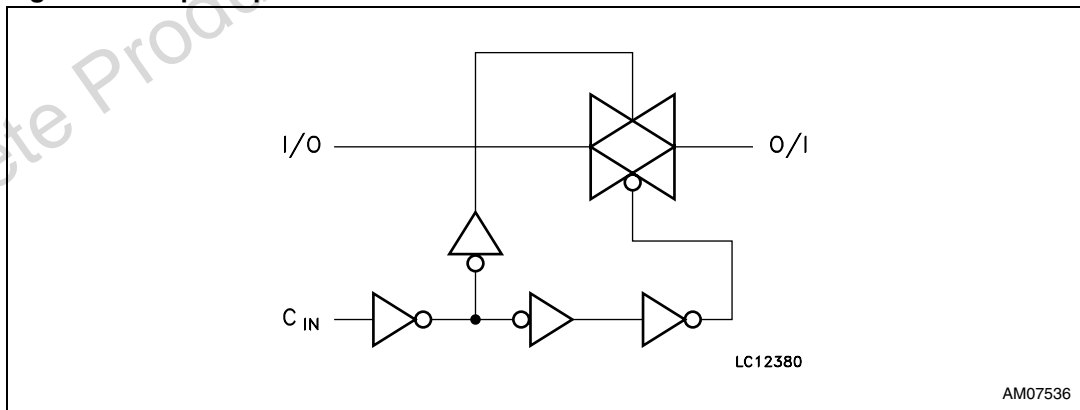


Table 2. Pin description

Pin No.	Symbol	Name and function
1, 5	1I/O, 2I/O	Independent input/output
2, 6	1O/I, 2O/I	Independent output/input
7, 3	1C, 2C	Enable input (active HIGH)
4	GND	Ground (0 V)
8	V _{CC}	Positive supply voltage

Table 3. Truth table

Control	Switch function
H	ON
L	OFF ⁽¹⁾

1. High impedance state.

Table 4. Absolute maximum ratings⁽¹⁾

Symbol	Parameter	Value	Unit
V _{CC}	Supply voltage	-0.5 to +7.0	V
V _I	DC Input voltage	-0.5 to V _{CC} +0.5	V
V _{IC}	DC control input voltage	-0.5 to +7.0	V
V _O	DC output voltage	-0.5 to V _{CC} +0.5	V
I _{IK}	DC input diode current	± 20	mA
I _{IK}	DC control input diode current	-20	mA
I _{OK}	DC output diode current	± 20	mA
I _O	DC output current	± 50	mA
I _{CC} or I _{GND}	DC V _{CC} or ground current	± 50	mA
T _{stg}	Storage temperature	-65 to +150	°C
T _L	Lead temperature (10 sec.)	300	°C

1. Absolute maximum ratings are those values beyond which damage to the device may occur. Functional operation under these conditions is not implied.

Table 5. Recommended operating conditions

Symbol	Parameter	Value	Unit
V_{CC}	Supply voltage	2 to 5.5	V
V_I	Input voltage	0 to V_{CC}	V
V_{IC}	Control input voltage	0 to 5.5	V
V_O	Output voltage	0 to V_{CC}	V
T_{op}	Operating temperature	-55 to 125	°C
dt/dv	Input rise and fall time ⁽¹⁾ $V_{CC} = 5.0$ V	0 to 20	ns/V

1. V_{IN} from 30% to 70% of V_{CC} on control pin.

Table 6. DC specifications

Symbol	Parameter	Test condition		Value						Unit	
				$T_A = 25$ °C			-40 to 85 °C		-55 to 125 °C		
				Min.	Typ.	Max.	Min.	Max.	Min.		Max.
V_{IH}	High level input	2.0		1.5			1.5		1.5		V
	Voltage	2.7 to 5.5		0.7 V_{CC}			0.7 V_{CC}		0.7 V_{CC}		
V_{IL}	Low level input	2.0				0.5		0.5		0.5	V
	Voltage	2.7 to 5.5				0.3 V_{CC}		0.3 V_{CC}		0.3 V_{CC}	
R_{ON}	ON resistance	3.3 ⁽¹⁾	$V_{IC} = V_{IH}$		12.5	19		23		27	Ω
		5.0 ⁽²⁾	$V_{I/O} = V_{CC}$ to GND $I_{I/O} \leq 1$ mA		7.5	10		12		14	
R_{ON}	ON resistance	3.3 ⁽¹⁾	$V_{IC} = V_{IH}$		8.5	10.5		12.5		15	Ω
		5.0 ⁽²⁾	$V_{I/O} = V_{CC}$ or GND $I_{I/O} \leq 1$ mA		6.5	8.5		10		12	
I_{OFF}	Input/output leakage current (SWITCH OFF)	5.5	$V_{OS} = V_{CC}$ to GND $V_{IS} = V_{CC}$ to GND $V_{IC} = V_{IL}$			± 0.1		± 1		± 5	μ A
I_{IZ}	Switch input leakage current (SWITCH ON, OUTPUT OPEN)	5.5	$V_{OS} = V_{CC}$ to GND $V_{IC} = V_{IH}$			± 0.1		± 1		± 5	μ A
I_{IN}	Control input leakage current	0 to 5.5	$V_{IC} = 5.5$ V or GND			± 0.1		± 1.0		± 1.0	μ A
I_{CC}	Quiescent supply current	5.5	$V_I = V_{CC}$ or GND			1		10		20	μ A

1. Voltage range is 3.3 V \pm 0.3 V.

2. Voltage range is 5 V \pm 0.5 V.

Table 7. AC electrical characteristics ($C_L = 50$ pF, Input $t_r = t_f = 3$ ns)

Symbol	Parameter	Test condition		Value						Unit	
		V_{CC} (V)		$T_A = 25$ °C			-40 to 85 °C		-55 to 125 °C		
				Min.	Typ.	Max.	Min.	Max.	Min.		Max.
t_{PD}	Delay time	3.3 ⁽¹⁾	$t_r = t_f = 6$ ns		0.4	0.8		1.2		2.4	ns
		5.0 ⁽²⁾			0.3	0.6		1.0		2.0	
t_{PLZ} t_{PHZ}	Output disable	3.3 ⁽¹⁾	$R_L = 500$ Ω		5.0	7.5		9.0		10.0	ns
	Time	5.0 ⁽²⁾			5.0	7.5		9.0		10.0	
t_{PZL} t_{PZH}	Output enable	3.3 ⁽¹⁾	$R_L = 1$ K Ω		2.5	4.0		5.0		7.0	ns
	Time	5.0 ⁽²⁾			2.0	4.0		5.0		7.0	

1. Voltage range is 3.3 V \pm 0.3 V.
2. Voltage range is 5.0 V \pm 0.5 V.

Table 8. Capacitive characteristics

Symbol	Parameter	Test condition		Value						Unit	
		V_{CC} (V)		$T_A = 25$ °C			-40 to 85 °C		-55 to 125 °C		
				Min.	Typ.	Max.	Min.	Max.	Min.		Max.
C_{IN}	Input capacitance				3	10		10		10	pF
$C_{I/O}$	Output capacitance				10						pF
C_{PD}	Power dissipation capacitance ⁽¹⁾	3.3			2.5						pF
		5.0			3						

1. C_{PD} is defined as the value of the IC's internal equivalent capacitance which is calculated from the operating current consumption without load. (Refer to test circuit). Average operating current can be obtained by the following equation:
 $I_{CC(oper)} = C_{PD} \times V_{CC} \times f_{IN} + I_{CC}/4$.

Table 9. Analog switch characteristics (GND = 0 V; T_A = 25 °C)

Symbol	Parameter	Test condition			Value	Unit
		V _{CC} (V)	V _{IN} (V _{p-p})		Typ.	
	Sine wave distortion (THD)	3.3 ⁽¹⁾	2.75	f _{IN} = 1 KHz, R _L = 10 KΩ, C _L = 50 pF	0.04	%
		5.0 ⁽²⁾	4		0.04	
f _{MAX}	Frequency response (switch ON)	3.3 ⁽¹⁾	Adjust f _{IN} voltage to obtain 0 dBm at V _{OS} . Increase f _{IN} frequency until dB meter reads -3 dB, R _L = 50 Ω, C _L = 10 pF		150	MHz
		5.0 ⁽²⁾			180	
	Feed through attenuation (switch OFF)	3.3 ⁽¹⁾	V _{IN} is centered at V _{CC} /2 Adjust f _{IN} voltage to obtained 0 dBm at V _{IS} , R _L = 600 Ω, C _L = 50 pF, f _{IN} = 1 KHz sine wave		-60	dB
		5.0 ⁽²⁾			-60	
	Crosstalk (control input to signal output)	3.3 ⁽¹⁾	R _L = 600 Ω, C _L = 50 pF, f _{IN} = 1 KHz square wave t _r = t _f = 6 ns		60	mV
		5.0 ⁽²⁾			60	

1. Voltage range is 3.3 V ± 0.3 V.

2. Voltage range is 5.0 V ± 0.5 V.

Figure 3. Switching characteristics test circuit

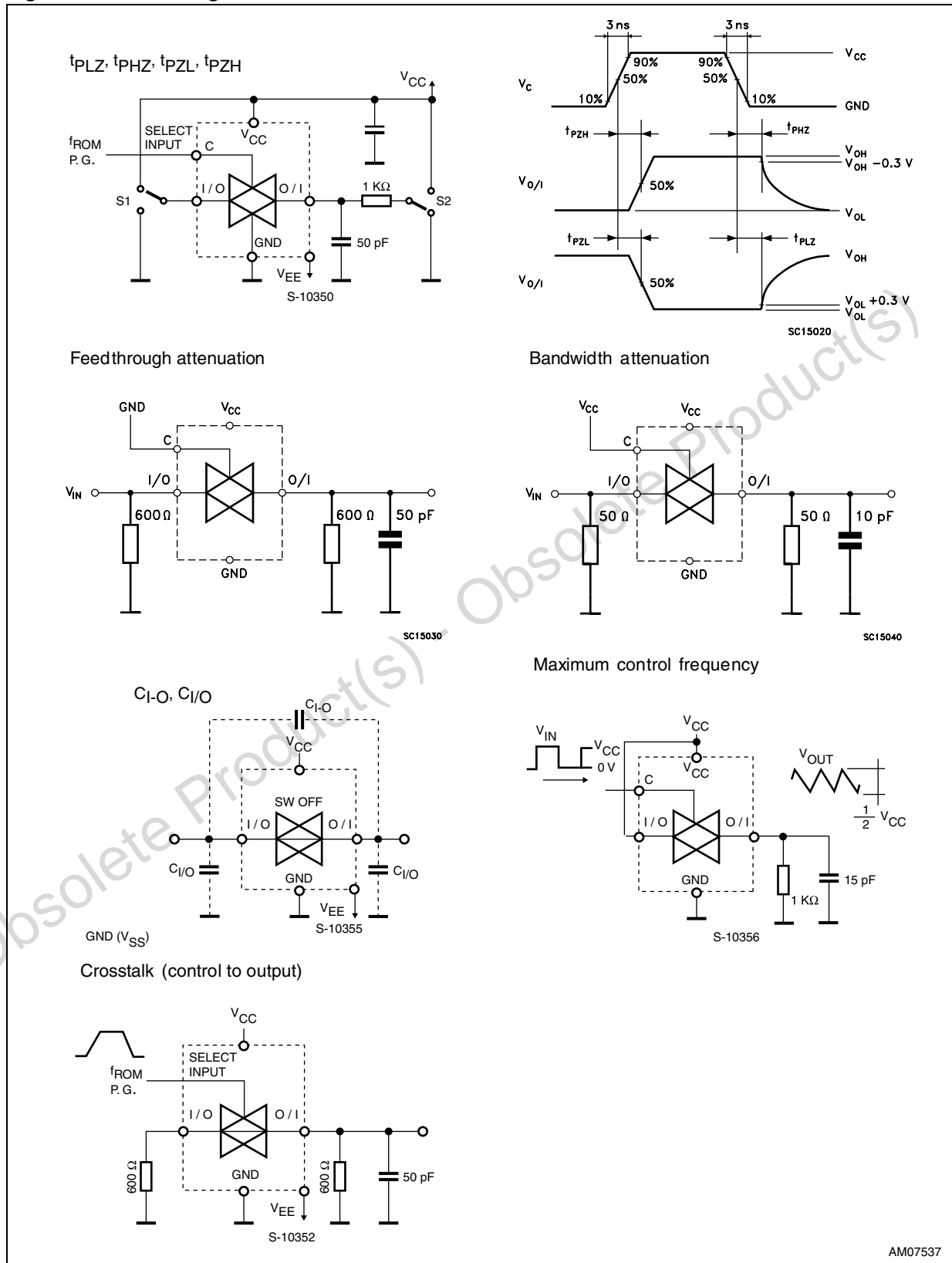


Figure 4. Channel resistance (R_{ON})

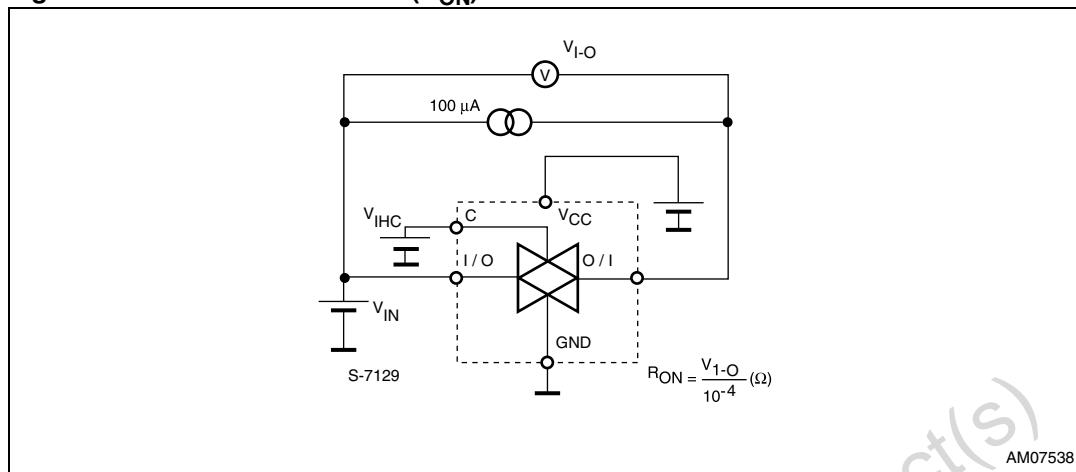
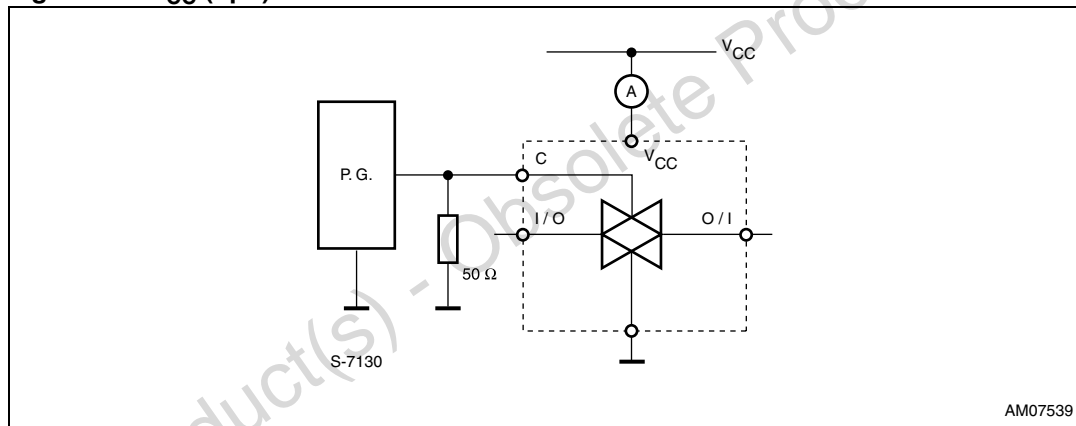


Figure 5. I_{CC} (opr.)



2 Package mechanical data

In order to meet environmental requirements, ST offers these devices in different grades of ECOPACK® packages, depending on their level of environmental compliance. ECOPACK® specifications, grade definitions and product status are available at: www.st.com. ECOPACK® is an ST trademark.

Figure 6. SOT23-8L package mechanical

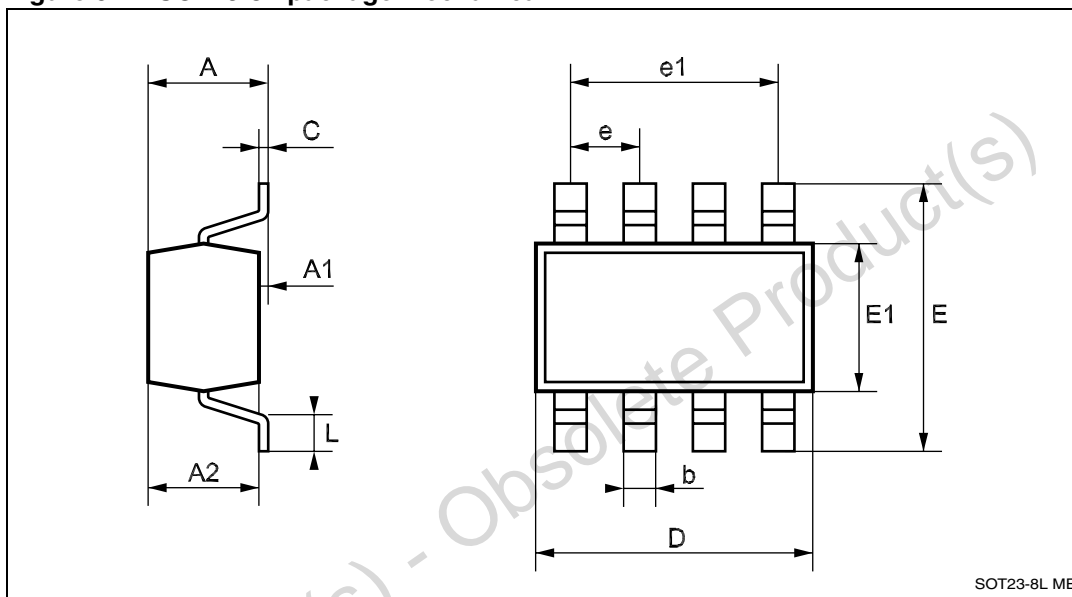
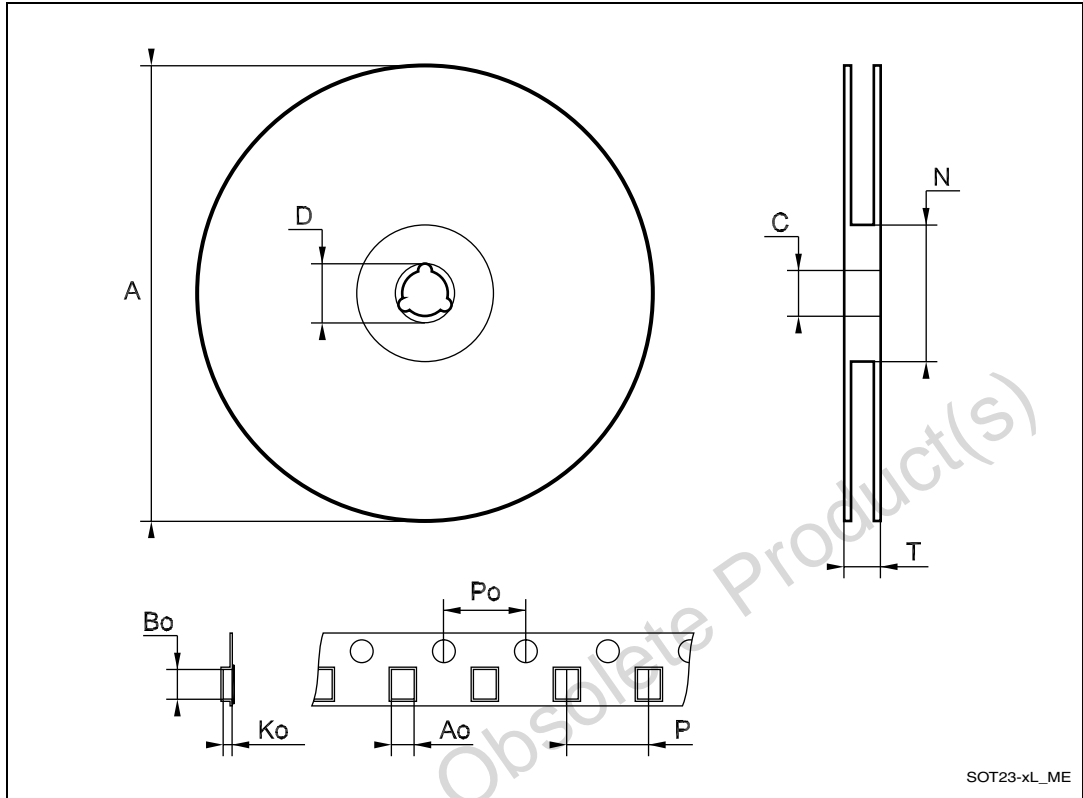


Table 10. SOT23-8L mechanical data

Symbol	Dimensions					
	mm			mils		
	Min.	Typ.	Max.	Min.	Typ.	Max.
A	0.90		1.45	35.4		57.1
A1	0.00		0.15	0.0		5.9
A2	0.90		1.30	35.4		51.2
b	0.22		0.38	8.6		14.9
C	0.09		0.20	3.5		7.8
D	2.80		3.00	110.2		118.1
E	2.60		3.00	102.3		118.1
E1	1.50		1.75	59.0		68.8
e		0.65			25.6	
e1		1.95			76.7	
L	0.35		0.55	13.7		21.6

Figure 7. Tape and reel SOT23-xL package mechanical⁽¹⁾



1. Drawing not in scale.

Table 11. Tape and reel SOT23-xL mechanical data

Symbol	Dimensions					
	mm			inch		
	Min.	Typ.	Max.	Min.	Typ.	Max.
A			180			7.086
C	12.8	13.0	13.2	0.504	0.512	0.519
D	20.2			0.795		
N	60			2.362		
T			14.4			0.567
Ao	3.13	3.23	3.33	0.123	0.127	0.131
Bo	3.07	3.17	3.27	0.120	0.124	0.128
Ko	1.27	1.37	1.47	0.050	0.054	0.058
Po	3.9	4.0	4.1	0.153	0.157	0.161
P	3.9	4.0	4.1	0.153	0.157	0.161

3 Revision history

Table 12. Document revision history

Date	Revision	Changes
19-Oct-2011	5	Removed "Obsolete Products" watermark, document reformatted, added ECOPACK [®] , minor text corrections throughout document.

Obsolete Product(s) - Obsolete Product(s)

Please Read Carefully:

Information in this document is provided solely in connection with ST products. STMicroelectronics NV and its subsidiaries ("ST") reserve the right to make changes, corrections, modifications or improvements, to this document, and the products and services described herein at any time, without notice.

All ST products are sold pursuant to ST's terms and conditions of sale.

Purchasers are solely responsible for the choice, selection and use of the ST products and services described herein, and ST assumes no liability whatsoever relating to the choice, selection or use of the ST products and services described herein.

No license, express or implied, by estoppel or otherwise, to any intellectual property rights is granted under this document. If any part of this document refers to any third party products or services it shall not be deemed a license grant by ST for the use of such third party products or services, or any intellectual property contained therein or considered as a warranty covering the use in any manner whatsoever of such third party products or services or any intellectual property contained therein.

UNLESS OTHERWISE SET FORTH IN ST'S TERMS AND CONDITIONS OF SALE ST DISCLAIMS ANY EXPRESS OR IMPLIED WARRANTY WITH RESPECT TO THE USE AND/OR SALE OF ST PRODUCTS INCLUDING WITHOUT LIMITATION IMPLIED WARRANTIES OF MERCHANTABILITY, FITNESS FOR A PARTICULAR PURPOSE (AND THEIR EQUIVALENTS UNDER THE LAWS OF ANY JURISDICTION), OR INFRINGEMENT OF ANY PATENT, COPYRIGHT OR OTHER INTELLECTUAL PROPERTY RIGHT.

UNLESS EXPRESSLY APPROVED IN WRITING BY TWO AUTHORIZED ST REPRESENTATIVES, ST PRODUCTS ARE NOT RECOMMENDED, AUTHORIZED OR WARRANTED FOR USE IN MILITARY, AIR CRAFT, SPACE, LIFE SAVING, OR LIFE SUSTAINING APPLICATIONS, NOR IN PRODUCTS OR SYSTEMS WHERE FAILURE OR MALFUNCTION MAY RESULT IN PERSONAL INJURY, DEATH, OR SEVERE PROPERTY OR ENVIRONMENTAL DAMAGE. ST PRODUCTS WHICH ARE NOT SPECIFIED AS "AUTOMOTIVE GRADE" MAY ONLY BE USED IN AUTOMOTIVE APPLICATIONS AT USER'S OWN RISK.

Resale of ST products with provisions different from the statements and/or technical features set forth in this document shall immediately void any warranty granted by ST for the ST product or service described herein and shall not create or extend in any manner whatsoever, any liability of ST.

ST and the ST logo are trademarks or registered trademarks of ST in various countries.

Information in this document supersedes and replaces all information previously supplied.

The ST logo is a registered trademark of STMicroelectronics. All other names are the property of their respective owners.

© 2011 STMicroelectronics - All rights reserved

STMicroelectronics group of companies

Australia - Belgium - Brazil - Canada - China - Czech Republic - Finland - France - Germany - Hong Kong - India - Israel - Italy - Japan - Malaysia - Malta - Morocco - Philippines - Singapore - Spain - Sweden - Switzerland - United Kingdom - United States of America

www.st.com

Mouser Electronics

Authorized Distributor

Click to View Pricing, Inventory, Delivery & Lifecycle Information:

[STMicroelectronics:](#)

[74V2G66STR](#)