

# 1 Characteristics

**Table 2. Absolute ratings (limiting values at  $T_j = 25\text{ °C}$ , unless otherwise specified)**

Symbol	Parameter	Value	Unit
$V_{RRM}$	Repetitive peak reverse voltage	40	V
$I_F$	Continuous forward current	300	mA
$I_{FSM}$	Surge non repetitive forward current	$t_p = 10\text{ ms}$ Sinusoidal	A
$T_{stg}$	Storage temperature range	-65 to +150	°C
$T_j$	Operating junction temperature range	-40 to +150	°C
$T_L$	Maximum soldering temperature	260	°C

**Table 3. Thermal parameters**

Symbol	Parameter	Value	Unit
$R_{th(j-a)}$	Junction to ambient <sup>(1)</sup>	SOT-23, SOD-123	500
		SOT-323, SOD323	550
		SOD-523	600
			°C/W

1. Epoxy printed circuit board with recommended pad layout

**Table 4. Static electrical characteristics**

Symbol	Parameter	Test conditions	Min.	Typ.	Max.	Unit
$I_R^{(1)}$	Reverse leakage current	$T_j = 25\text{ °C}$	$V_R = 30\text{ V}$		1	$\mu\text{A}$
		$T_j = 100\text{ °C}$			100	
$V_F^{(2)}$	Forward voltage drop	$T_j = 25\text{ °C}$	$I_F = 0.1\text{ mA}$		240	mV
			$I_F = 1\text{ mA}$		320	
			$I_F = 10\text{ mA}$		400	
			$I_F = 30\text{ mA}$		500	
			$I_F = 100\text{ mA}$		900	

1. Pulse test:  $t_p = 5\text{ ms}$ ,  $\delta < 2\%$

2. Pulse test:  $t_p = 380\text{ }\mu\text{s}$ ,  $\delta < 2\%$

**Table 5. Dynamic characteristics**

Symbol	Parameter	Test conditions	Min.	Typ.	Max.	Unit
C	Diode capacitance	$V_R = 1\text{ V}$ , $F = 1\text{ MHz}$		7	10	pF
$t_{rr}$	Reverse recovery time	$I_F = 10\text{ mA}$ , $I_R = 10\text{ mA}$ , $T_j = 25\text{ °C}$ $I_{rr} = 1\text{ mA}$ , $R_L = 100\text{ }\Omega$			5	ns

Figure 1. Average forward power dissipation versus average forward current

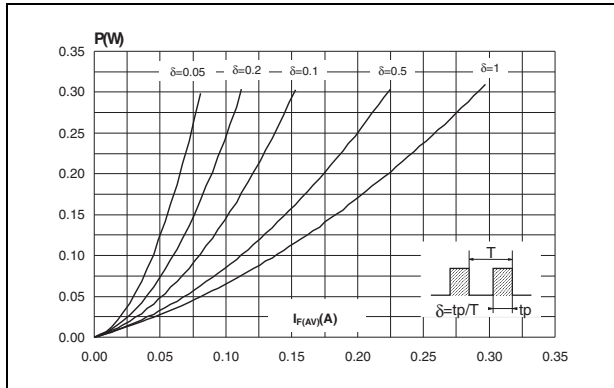


Figure 2. Average forward current versus ambient temperature ( $\delta = 1$ )

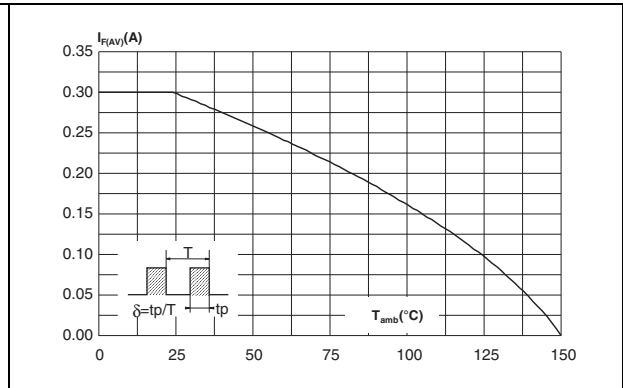


Figure 3. Reverse leakage current versus reverse applied voltage (typical values)

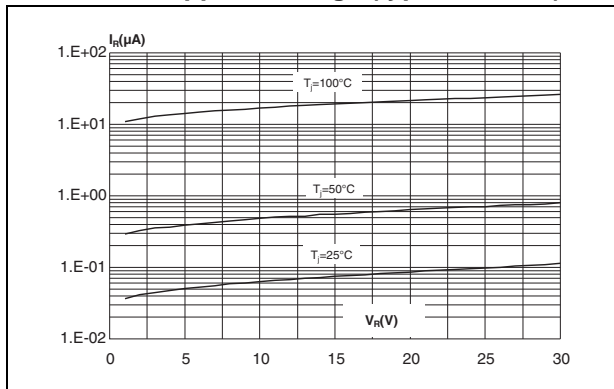


Figure 4. Reverse leakage current versus junction temperature

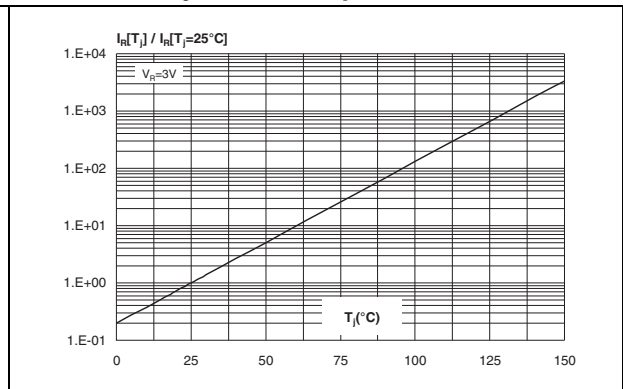


Figure 5. Junction capacitance versus reverse applied voltage (typical values)

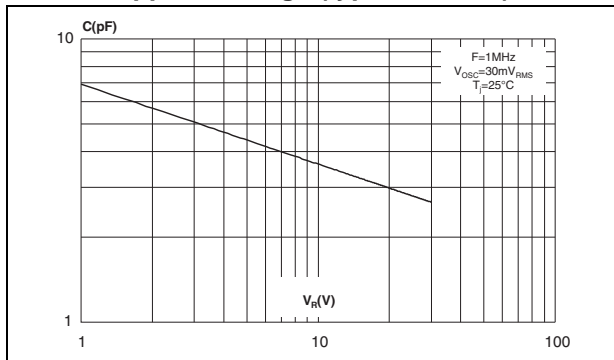
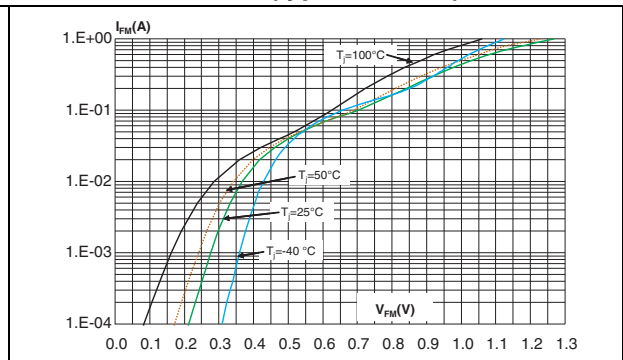
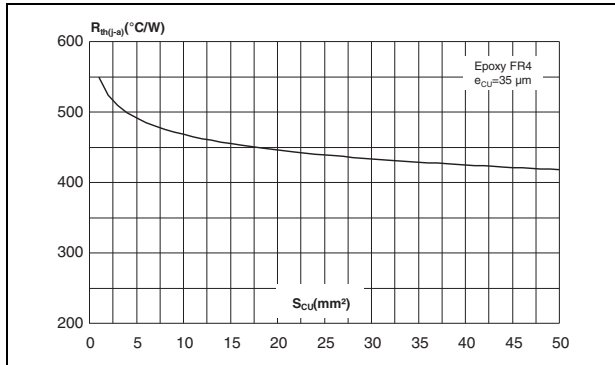


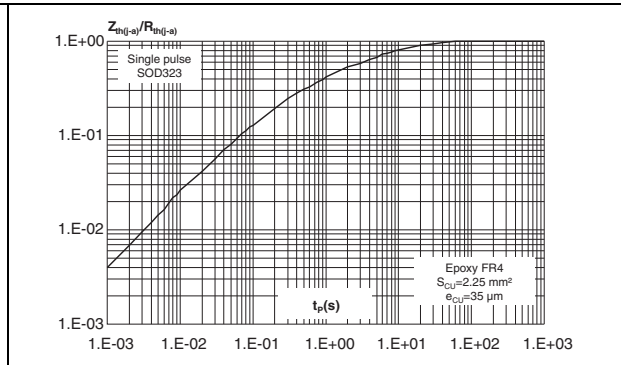
Figure 6. Forward voltage drop versus forward current (typical values)



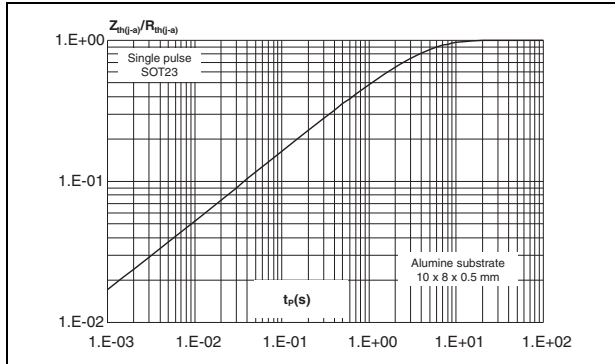
**Figure 7. Thermal resistance junction to ambient versus copper surface under each lead (SOD323)**



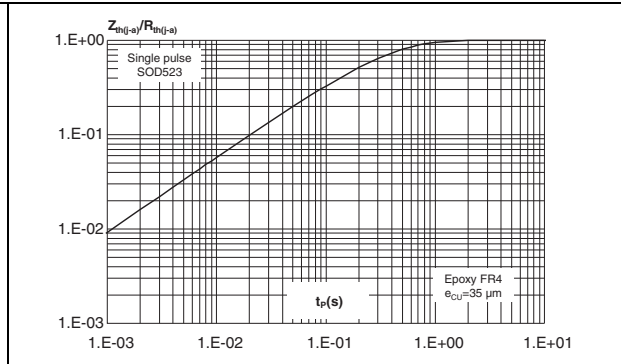
**Figure 8. Relative variation of thermal impedance junction to ambient versus pulse duration (SOD323)**



**Figure 9. Relative variation of thermal impedance junction to ambient versus pulse duration (SOT23)**



**Figure 10. Relative variation of thermal impedance junction to ambient versus pulse duration (SOD-523)**



## 2 Package information

- Epoxy meets UL94, V0
- Lead-free packages

In order to meet environmental requirements, ST offers these devices in different grades of ECOPACK<sup>®</sup> packages, depending on their level of environmental compliance. ECOPACK<sup>®</sup> specifications, grade definitions and product status are available at: [www.st.com](http://www.st.com). ECOPACK<sup>®</sup> is an ST trademark.

Figure 11. SOD123 dimension definitions

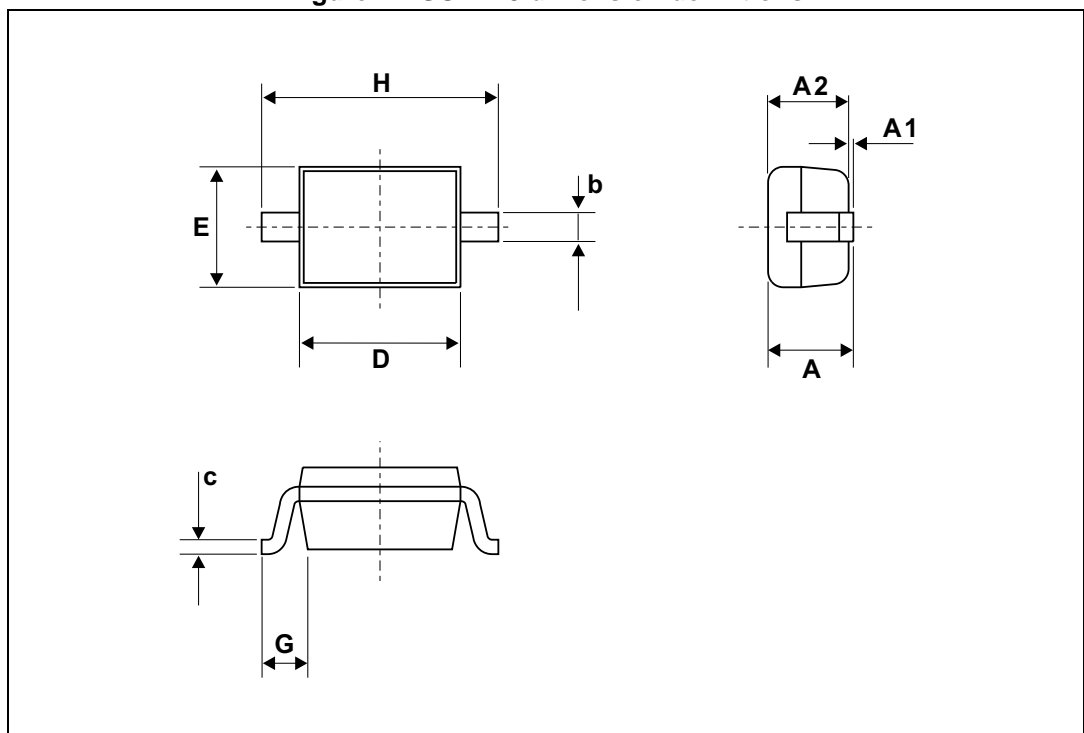


Table 6. SOD123 dimension values

Ref.	Dimensions					
	Millimeters			Inches		
	Min.	Typ.	Max.	Min.	Typ.	Max.
A			1.45			0.057
A1	0		0.10		0	0.004
A2	0.85		1.35	0.033		0.053
b		0.55			0.022	
c		0.15			0.039	
D	2.55		2.85	0.1		0.112
E	1.4		1.70	0.055		0.067
G	0.25			0.01		
H	3.55		3.75	0.14		0.148

Figure 12. SOD123 footprint dimensions in mm (inches)

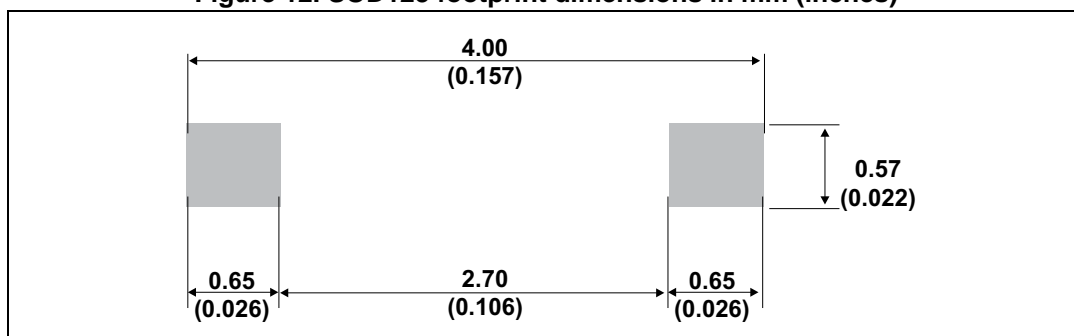


Figure 13. SOD323 dimension definitions

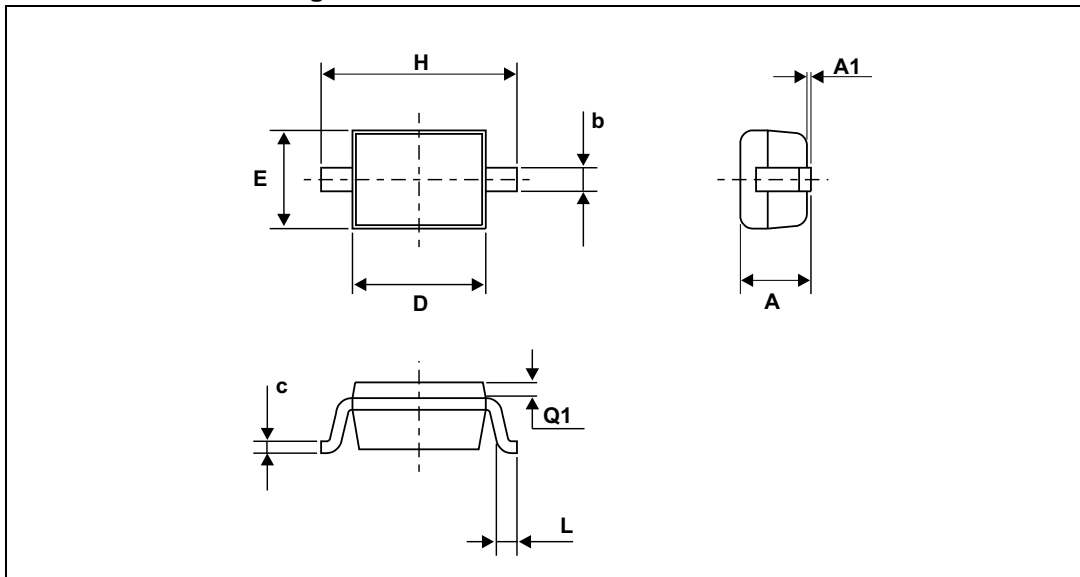


Table 7. SOD323 dimension values

Ref.	Dimensions					
	Millimeters			Inches		
	Min.	Typ.	Max.	Min.	Typ.	Max.
A			1.17			0.046
A1	0		0.1	0		0.004
b	0.25		0.44	0.01		0.017
c	0.1		0.25	0.004		0.01
D	1.52		1.8	0.06		0.071
E	1.11		1.45	0.044		0.057
H	2.3		2.7	0.09		0.106
L	0.1		0.46	0.004		0.02
Q1	0.1		0.41	0.004		0.016

Figure 14. SOD323 footprint dimensions in mm (inches)

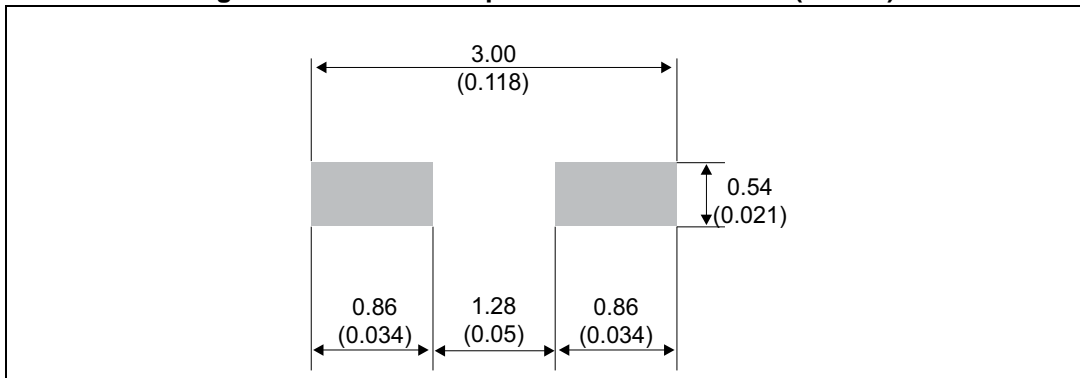


Figure 15. SOD-523 dimension definitions

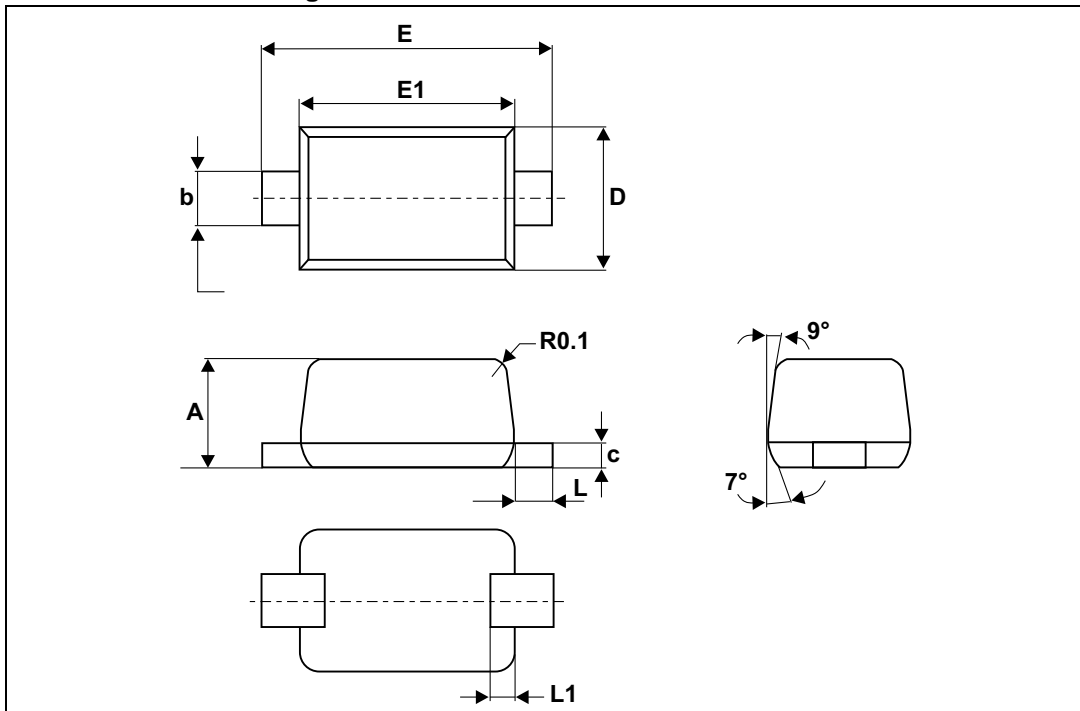


Table 8. SOD-523 dimension values

Ref.	Dimensions					
	Millimeters			Inches		
	Min.	Typ.	Max.	Min.	Typ.	Max.
A	0.50	0.60	0.70	0.020	0.024	0.028
E	1.50	1.60	1.70	0.059	0.063	0.067
E1	1.10	1.20	1.30	0.043	0.047	0.051
D	0.70	0.80	0.90	0.028	0.031	0.035
b	0.25		0.35	0.010		0.014
c	0.07		0.20	0.003		0.008
L	0.15	0.20	0.25	0.006	0.008	0.010
L1	0.05		0.20	0.002		0.008

Figure 16. SOD-523 footprint dimensions in mm (inches)

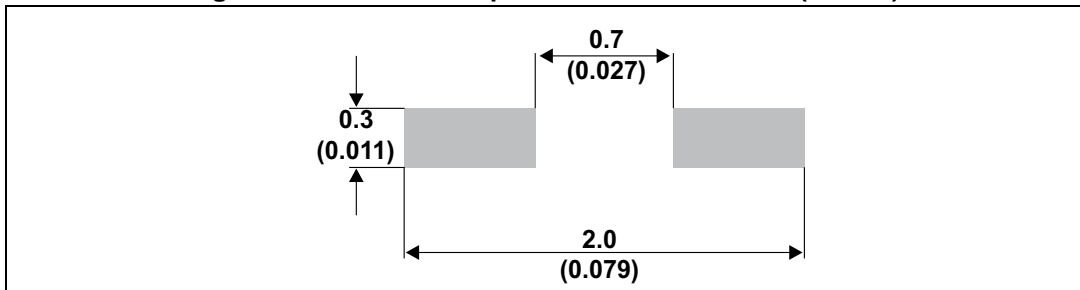


Figure 17. SOT23 dimension definitions

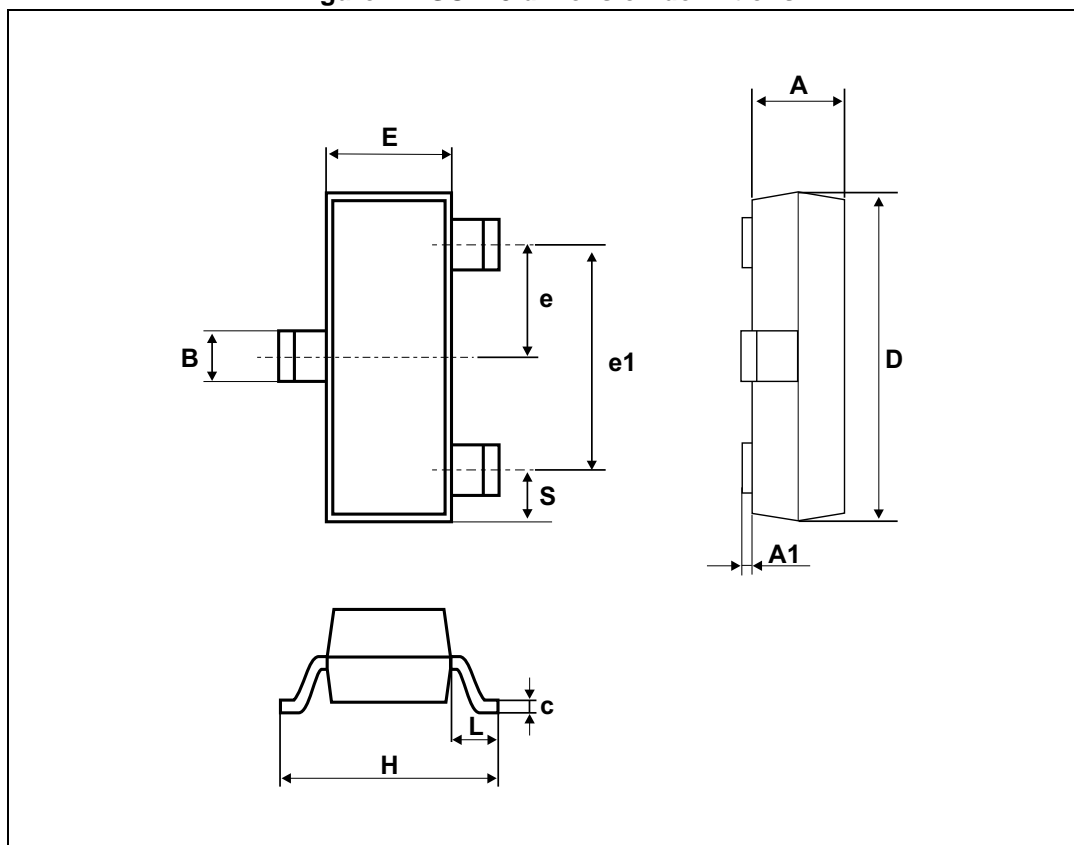




Table 9. SOT23 dimension values

Ref.	Dimensions					
	Millimeters			Inches		
	Min.	Typ.	Max.	Min.	Typ.	Max.
A	0.89		1.4	0.035		0.055
A1	0		0.1	0		0.004
B	0.3		0.51	0.012		0.02
c	0.085		0.18	0.003		0.007
D	2.75		3.04	0.108		0.12
e	0.85		1.05	0.033		0.041
e1	1.7		2.1	0.067		0.083
E	1.2		1.75	0.047		0.069
H	2.1		3.00	0.083		0.118
L		0.6			0.024	
S	0.35		0.65	0.014		0.026

Figure 18. SOT23 footprint dimensions in mm (inches)

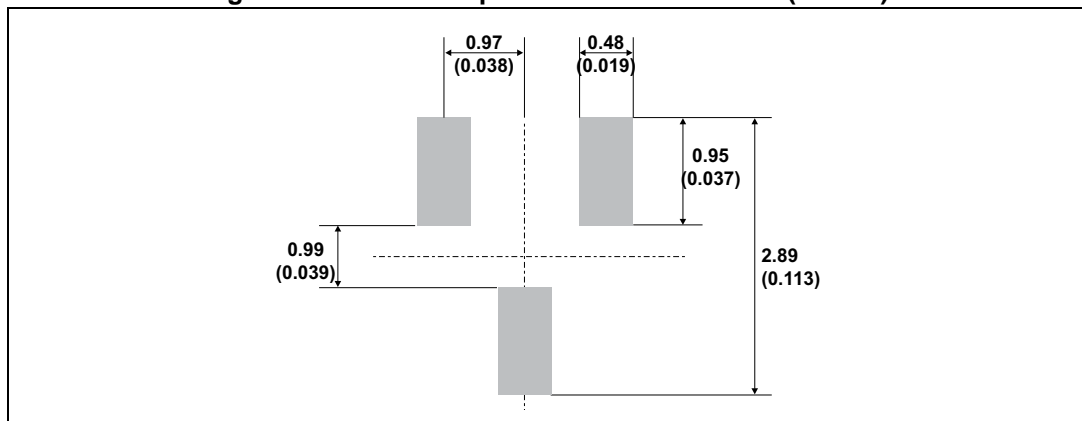


Figure 19. SOT-323 dimension definitions

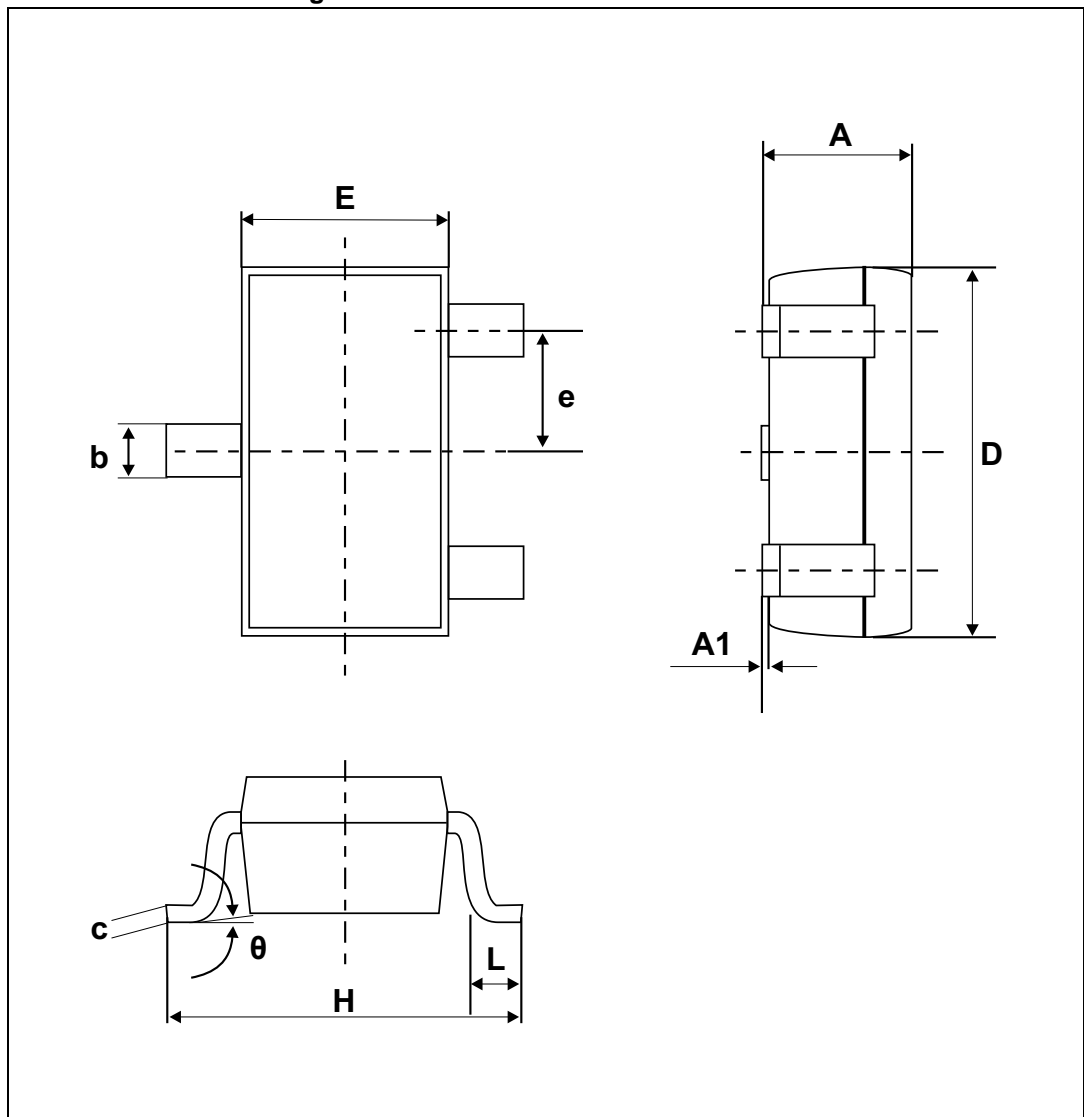
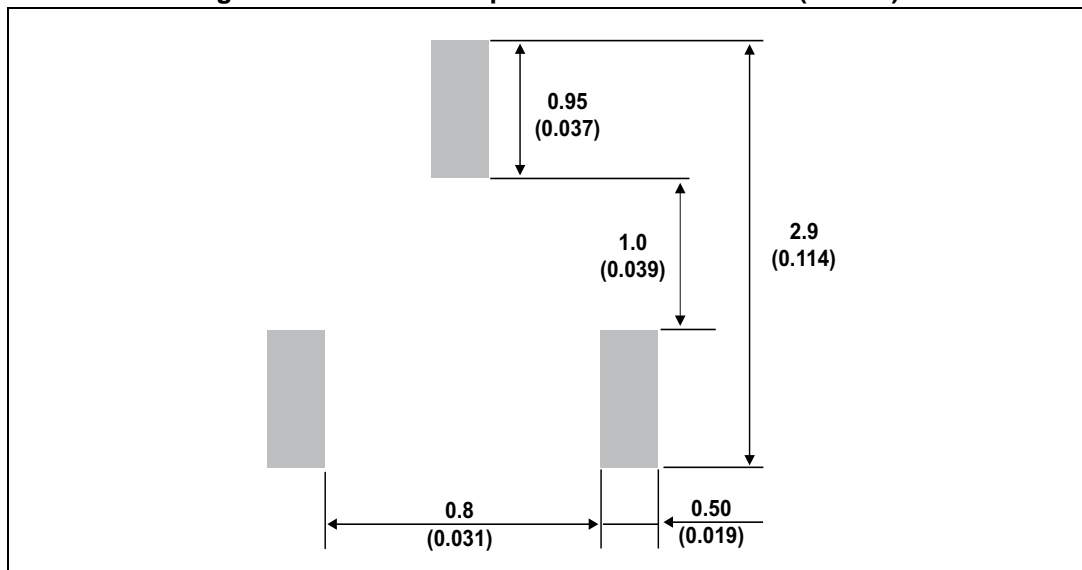


Table 10. SOT-323 dimension values

Ref.	Dimensions					
	Millimeters			Inches		
	Min.	Typ.	Max.	Min.	Typ.	Max.
A	0.8		1.1	0.031		0.043
A1	0.0		0.1	0.0		0.004
b	0.25		0.4	0.010		0.016
c	0.1		0.26	0.004		0.010
D	1.8	2.0	2.2	0.071	0.079	0.086
E	1.15	1.25	1.35	0.045	0.049	0.053
e	0.6	0.65	0.7	0.023	0.026	0.027
H	1.8	2.1	2.4	0.071	0.083	0.094
L	0.1	0.2	0.3	0.004	0.008	0.012
q	0		30°	0		30°

Figure 20. SOT-323 footprint dimensions in mm (inches)



### 3 Ordering information

Figure 21. Ordering information scheme

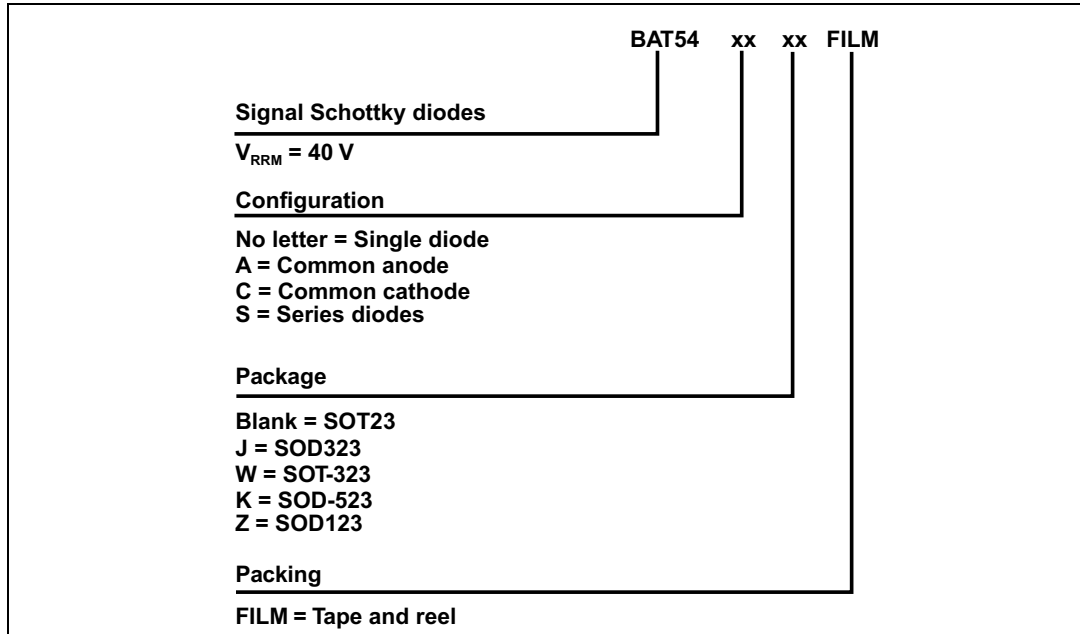


Table 11. Ordering information

Order code	Marking	Package	Weight	Base qty	Delivery mode
BAT54FILM	D86	SOT-23 Single	10 mg	3000	Tape and reel
BAT54SFILM	D88	SOT-23 Serial	10 mg	3000	Tape and reel
BAT54CFILM	D87	SOT-23 Common cathode	10 mg	3000	Tape and reel
BAT54AFILM	D84	SOT-23 Common anode	10 mg	3000	Tape and reel
BAT54WFILM	D73	SOT-323 Single	6 mg	3000	Tape and reel
BAT54SWFILM	D78	SOT-323 Serial	6 mg	3000	Tape and reel
BAT54CWFILM	D77	SOT-323 Common cathode	6 mg	3000	Tape and reel
BAT54AWFILM	D74	SOT-323 Common anode	6 mg	3000	Tape and reel
BAT54JFILM	86	SOD-323	5 mg	3000	Tape and reel
BAT54JFILM-HQ	86	SOD-323	5 mg	10000	Tape and reel
BAT54KFILM	86	SOD-523	1.4 mg	3000	Tape and reel
BAT54ZFILM	D72	SOD-123	10 mg	3000	Tape and reel

## 4 Revision history

**Table 12. Document revision history**

Date	Revision	Changes
Jun-1999	8	Last update.
24-Jul-2006	9	BAT54, A, C, S and BAT54J / W / AW / CW /SW datasheets merged. ECOPACK statement added. SOD-123, SOD-523 and SOT-666 packages added.
13-Oct-2009	10	Updated Table 8 quote "L1" from 0.10 to 0.05.
02-Feb-2015	11	Updated Figure 22 for product in end of life. Removed SOT-666 package information and reformatted to current standard.
28-Jun-2016	12	Updated <a href="#">Table 11</a> .

**IMPORTANT NOTICE – PLEASE READ CAREFULLY**

STMicroelectronics NV and its subsidiaries ("ST") reserve the right to make changes, corrections, enhancements, modifications, and improvements to ST products and/or to this document at any time without notice. Purchasers should obtain the latest relevant information on ST products before placing orders. ST products are sold pursuant to ST's terms and conditions of sale in place at the time of order acknowledgement.

Purchasers are solely responsible for the choice, selection, and use of ST products and ST assumes no liability for application assistance or the design of Purchasers' products.

No license, express or implied, to any intellectual property right is granted by ST herein.

Resale of ST products with provisions different from the information set forth herein shall void any warranty granted by ST for such product.

ST and the ST logo are trademarks of ST. All other product or service names are the property of their respective owners.

Information in this document supersedes and replaces information previously supplied in any prior versions of this document.

© 2016 STMicroelectronics – All rights reserved

# Mouser Electronics

Authorized Distributor

Click to View Pricing, Inventory, Delivery & Lifecycle Information:

## STMicroelectronics:

[BAT54CWFILM](#) [BAT54AFILM](#) [BAT54CFILM](#) [BAT54WFILM](#) [BAT54AWFILM](#) [BAT54SFILM](#) [BAT54FILM](#)  
[BAT54SWFILM](#) [BAT54JFILM](#) [BAT54KFILM](#) [BAT54ZFILM](#)