

Small Signal Product

ELECTRICAL CHARACTERISTICS ($T_A = 25^\circ\text{C}$ unless otherwise noted)

Device Type	$V_Z @ I_{ZT}$ (Volt)		I_{ZT} (mA)	$Z_{ZT} @ I_{ZT}$ (Ω) Max	I_{ZK} (mA)	$Z_{ZK} @ I_{ZK}$ (Ω) Max	$I_R @ V_R$ (μA) Max	V_R (V)
	Min	Max						
BZV79C 2V4	2.28	2.56	5	100	1	600	100	1
BZV79C 2V7	2.51	2.89	5	100	1	600	75	1
BZV79C 3V0	2.8	3.2	5	95	1	600	50	1
BZV79C 3V3	3.1	3.5	5	95	1	600	25	1
BZV79C 3V6	3.4	3.8	5	90	1	600	15	1
BZV79C 3V9	3.7	4.1	5	90	1	600	10	1
BZV79C 4V3	4	4.6	5	90	1	600	5	1
BZV79C 4V7	4.4	5	5	80	1	500	3	2
BZV79C 5V1	4.8	5.4	5	60	1	480	2	2
BZV79C 5V6	5.2	6	5	40	1	400	1	2
BZV79C 6V2	5.8	6.6	5	10	1	150	3	4
BZV79C 6V8	6.4	7.2	5	15	1	80	2	4
BZV79C 7V5	7	7.9	5	15	1	80	1	5
BZV79C 8V2	7.7	8.7	5	15	1	80	0.7	5
BZV79C 9V1	8.5	9.6	5	15	1	100	0.5	6
BZV79C 10	9.4	10.6	5	20	1	150	0.2	7
BZV79C 11	10.4	11.6	5	20	1	150	0.1	8
BZV79C 12	11.4	12.7	5	25	1	150	0.1	8
BZV79C 13	12.4	14.1	5	30	1	170	0.1	8
BZV79C 15	13.8	15.6	5	30	1	200	0.05	10.5
BZV79C 16	15.3	17.1	5	40	1	200	0.05	11.2
BZV79C 18	16.8	19.1	5	45	1	225	0.05	12.6
BZV79C 20	18.8	21.2	5	55	1	225	0.05	14
BZV79C 22	20.8	23.3	5	55	1	250	0.05	15.4
BZV79C 24	22.8	25.6	5	70	1	250	0.05	16.8
BZV79C 27	25.1	28.9	2	80	0.5	300	0.05	18.9
BZV79C 30	28	32	2	80	0.5	300	0.05	21
BZV79C 33	31	35	2	80	0.5	325	0.05	23.1
BZV79C 36	34	38	2	90	0.5	350	0.05	25.2
BZV79C 39	37	41	2	130	0.5	350	0.05	27.3
BZV79C 43	40	46	2	150	0.5	375	0.05	30.1
BZV79C 47	44	50	2	170	0.5	375	0.05	32.9
BZV79C 51	48	54	2	180	0.5	400	0.05	35.7
BZV79C 56	52	60	2	200	0.5	425	0.05	39.2
BZV79C 62	58	66	2.5	215	0.5	1000	0.05	43.4
BZV79C 68	64	72	2.5	240	0.5	1000	0.05	47.6
BZV79C 75	70	80	2.5	255	0.5	1000	0.05	52.5

Notes : 1. The type numbers listed have zener voltage min/max limits as shown.

2. For detailed information on price, availability and delivery of nominal zener voltages between the voltages shown and tighter voltage tolerances, contact your nearest Taiwan Semiconductor representative.

3. The zener impedance is derived from the 60-cycle ac voltage, which results when an ac current having an RMS value equal to 10% of the dc zener current (I_{ZT} or I_{ZK}) is superimposed to I_{ZT} or I_{ZK} .

Small Signal Product

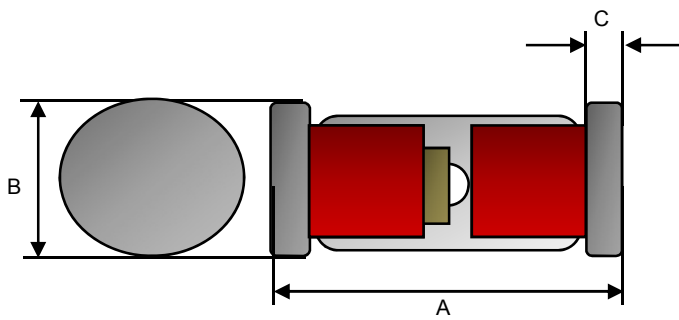
ORDERING INFORMATION					
PART NO.	MANUFACTURE CODE	PACKING CODE	GREEN COMPOUND CODE	PACKAGE	PACKING
BZV79Cxxx (Note1)	(Note 2)	L0	G	LL34	10K / 13" Reel
		L1			2.5K / 7" Reel

Note 1: "xxx" defines voltage from 2.4V (BZV79C2V4) to 75V (BZV79C75)

Note 2: Manufacture special control, if empty means no special control requirement.

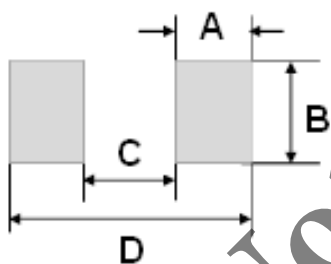
EXAMPLE					
PREFERRED P/N	PART NO.	MANUFACTURE CODE	PACKING CODE	GREEN COMPOUND CODE	DESCRIPTION
BZV79C75 L0G	BZV79C75		L0	G	Green compound
BZV79C75-L0 L0G	BZV79C75	L0	L0	G	Green compound

PACKAGE OUTLINE DIMENSION



DIM.	Unit (mm)		Unit (inch)	
	Min	Max	Min	Max
A	3.30	3.70	0.130	0.146
B	1.40	1.60	0.055	0.063
C	0.20	0.50	0.008	0.020

SUGGEST PAD LAYOUT



DIM.	Unit (mm)	Unit (inch)
	Typ.	Typ.
A	1.25	0.049
B	2.00	0.079
C	2.50	0.098
D	5.00	0.197

Not Recommended

Notice

Specifications of the products displayed herein are subject to change without notice. TSC or anyone on its behalf, assumes no responsibility or liability for any errors inaccuracies.

Information contained herein is intended to provide a product description only. No license, express or implied, to any intellectual property rights is granted by this document. Except as provided in TSC's terms and conditions of sale for such products, TSC assumes no liability whatsoever, and disclaims any express or implied warranty, relating to sale and/or use of TSC products including liability or warranties relating to fitness for a particular purpose, merchantability, or infringement of any patent, copyright, or other intellectual property right.

The products shown herein are not designed for use in medical, life-saving, or life-sustaining applications. Customers using or selling these products for use in such applications do so at their own risk and agree to fully indemnify TSC for any damages resulting from such improper use or sale.

Mouser Electronics

Authorized Distributor

Click to View Pricing, Inventory, Delivery & Lifecycle Information:

Taiwan Semiconductor:

[BZV79C10](#) [BZV79C11](#) [BZV79C12](#) [BZV79C13](#) [BZV79C15](#) [BZV79C16](#) [BZV79C18](#) [BZV79C20](#) [BZV79C22](#)
[BZV79C24](#) [BZV79C27](#) [BZV79C2V0](#) [BZV79C2V2](#) [BZV79C2V4](#) [BZV79C2V7](#) [BZV79C30](#) [BZV79C33](#) [BZV79C36](#)
[BZV79C39](#) [BZV79C3V0](#) [BZV79C3V3](#) [BZV79C3V6](#) [BZV79C3V9](#) [BZV79C43](#) [BZV79C47](#) [BZV79C4V3](#) [BZV79C4V7](#)
[BZV79C51](#) [BZV79C56](#) [BZV79C5V1](#) [BZV79C5V6](#) [BZV79C6V2](#) [BZV79C6V8](#) [BZV79C7V5](#) [BZV79C8V2](#)
[BZV79C9V1](#) [BZV79C75 L1](#) [BZV79C62 L1](#) [BZV79C68 L1](#) [BZV79C75 L0](#) [BZV79C6V2 L0G](#) [BZV79C5V1 L0G](#)
[BZV79C3V9 L0G](#) [BZV79C5V1 L0](#) [BZV79C18 L1G](#) [BZV79C6V8 L0](#) [BZV79C47 L0G](#) [BZV79C43 L1G](#) [BZV79C3V6](#)
[L0G](#) [BZV79C22 L0](#) [BZV79C24 L0](#) [BZV79C5V6 L0G](#) [BZV79C5V6 L1G](#) [BZV79C22 L0G](#) [BZV79C36 L0](#) [BZV79C12](#)
[L1G](#) [BZV79C6V2 L1G](#) [BZV79C3V6 L0](#) [BZV79C39 L0G](#) [BZV79C51 L0G](#) [BZV79C20 L0](#) [BZV79C24 L0G](#) [BZV79C33](#)
[L1G](#) [BZV79C20 L0G](#) [BZV79C4V3 L0](#) [BZV79C56 L1G](#) [BZV79C30 L0](#) [BZV79C68 L0](#) [BZV79C6V8 L0G](#) [BZV79C16](#)
[L0](#) [BZV79C3V6 L1G](#) [BZV79C7V5 L0G](#) [BZV79C12 L0G](#) [BZV79C27 L0](#) [BZV79C62 L1G](#) [BZV79C75 L0G](#) [BZV79C47](#)
[L0](#) [BZV79C30 L1G](#) [BZV79C6V2 L0](#) [BZV79C36 L0G](#) [BZV79C4V7 L0G](#) [BZV79C30 L0G](#) [BZV79C39 L0](#) [BZV79C3V3](#)
[L1G](#) [BZV79C33 L0](#) [BZV79C4V3 L0G](#) [BZV79C3V3 L0G](#) [BZV79C5V1 L1G](#) [BZV79C2V4 L1G](#) [BZV79C2V4 L0](#)
[BZV79C12 L0](#) [BZV79C16 L1G](#) [BZV79C9V1 L0](#) [BZV79C16 L0G](#) [BZV79C6V8 L1G](#) [BZV79C68 L1G](#) [BZV79C33 L0G](#)
[BZV79C8V2 L1G](#) [BZV79C75 L1G](#) [BZV79C8V2 L0G](#)