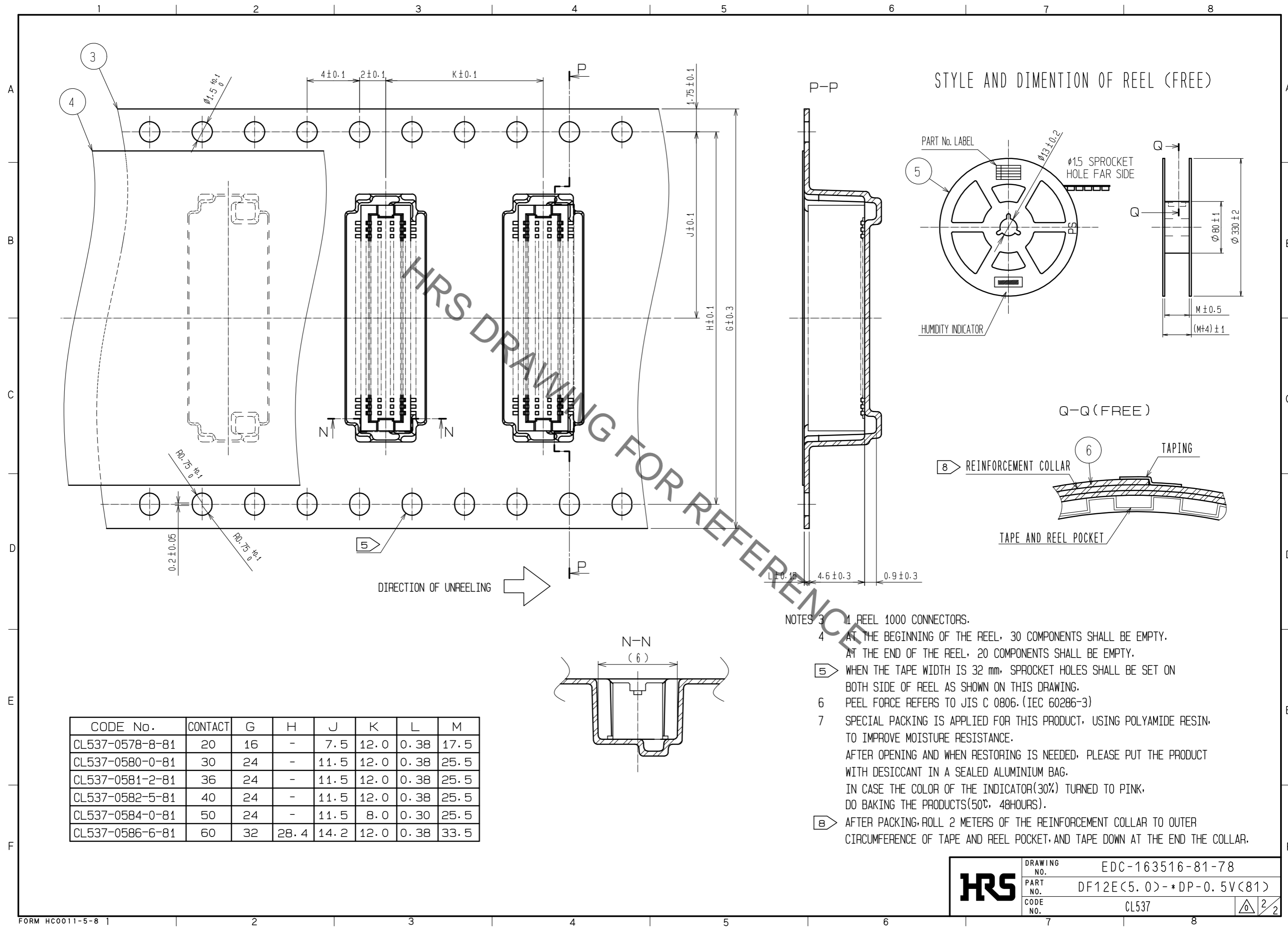
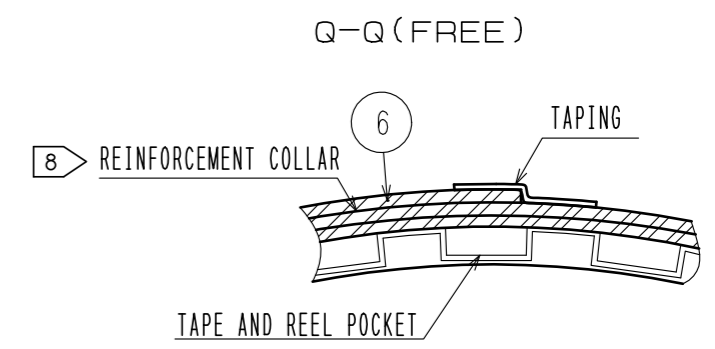
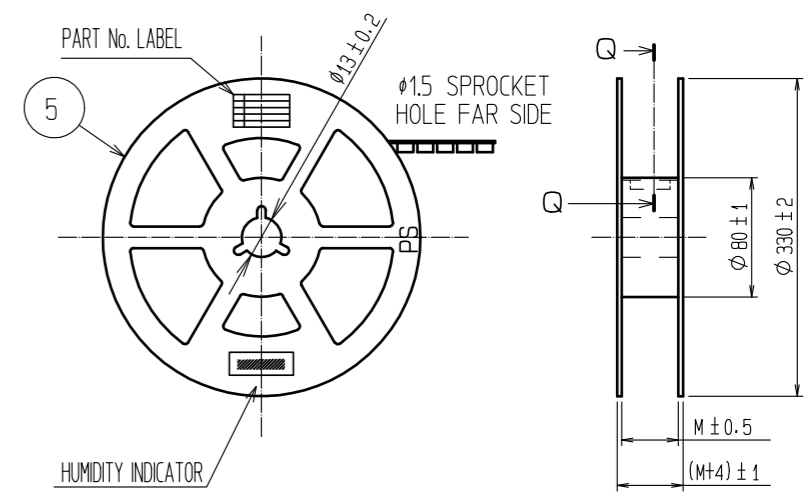


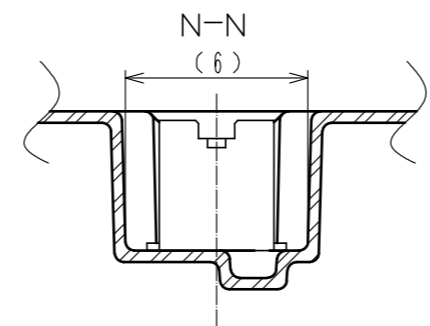
Aug.1.2020 Copyright 2020 HIROSE ELECTRIC CO., LTD. All Rights Reserved.  
In case of consideration for using Automotive equipment / device which demand high reliability, kindly contact our sales window correspondents.



STYLE AND DIMENTION OF REEL (FREE)



DIRECTION OF UNREELING →



CODE No.	CONTACT	G	H	J	K	L	M
CL537-0578-8-81	20	16	-	7.5	12.0	0.38	17.5
CL537-0580-0-81	30	24	-	11.5	12.0	0.38	25.5
CL537-0581-2-81	36	24	-	11.5	12.0	0.38	25.5
CL537-0582-5-81	40	24	-	11.5	12.0	0.38	25.5
CL537-0584-0-81	50	24	-	11.5	8.0	0.30	25.5
CL537-0586-6-81	60	32	28.4	14.2	12.0	0.38	33.5

- NOTES
- 3 REEL 1000 CONNECTORS.
  - 4 AT THE BEGINNING OF THE REEL, 30 COMPONENTS SHALL BE EMPTY.  
AT THE END OF THE REEL, 20 COMPONENTS SHALL BE EMPTY.
  - 5 WHEN THE TAPE WIDTH IS 32 mm, SPROCKET HOLES SHALL BE SET ON BOTH SIDE OF REEL AS SHOWN ON THIS DRAWING.
  - 6 PEEL FORCE REFERS TO JIS C 0806. (IEC 60286-3)
  - 7 SPECIAL PACKING IS APPLIED FOR THIS PRODUCT, USING POLYAMIDE RESIN, TO IMPROVE MOISTURE RESISTANCE.  
AFTER OPENING AND WHEN RESTORING IS NEEDED, PLEASE PUT THE PRODUCT WITH DESICCANT IN A SEALED ALUMINIUM BAG.  
IN CASE THE COLOR OF THE INDICATOR(30%) TURNED TO PINK, DO BAKING THE PRODUCTS(50℃, 48HOURS).
  - 8 AFTER PACKING, ROLL 2 METERS OF THE REINFORCEMENT COLLAR TO OUTER CIRCUMFERENCE OF TAPE AND REEL POCKET, AND TAPE DOWN AT THE END THE COLLAR.

<b>HRS</b>	DRAWING NO.	EDC-163516-81-78
	PART NO.	DF12E(5.0)-*DP-0.5V(81)
	CODE NO.	CL537

# Mouser Electronics

Authorized Distributor

Click to View Pricing, Inventory, Delivery & Lifecycle Information:

[Hirose Electric:](#)

[DF12E\(5.0\)-30DP-0.5V\(81\)](#)