

## Absolute Maximum Ratings<sup>[1]</sup> $T_c = +25^\circ\text{C}$

Symbol	Parameter	Unit	SOT-23	SOT-323
$I_f$	Forward Current (1 $\mu\text{s}$ Pulse)	Amp	1	1
$P_{IV}$	Peak Inverse Voltage	V	50	50
$T_j$	Junction Temperature	$^\circ\text{C}$	150	150
$T_{stg}$	Storage Temperature	$^\circ\text{C}$	-65 to 150	-65 to 150
$\theta_{jc}$	Thermal Resistance <sup>[2]</sup>	$^\circ\text{C}/\text{W}$	500	150

Notes:

- Operation in excess of any one of these conditions may result in permanent damage to the device.
- $T_c = +25^\circ\text{C}$ , where  $T_c$  is defined to be the temperature at the package pins where contact is made to the circuit board.

## Electrical Specifications $T_c = 25^\circ\text{C}$

Part Number HSMP-	Package Marking Code	Lead Code	Configuration	Minimum Breakdown Voltage $V_{BR}$ (V)	Maximum Series Resistance $R_s$ ( $\Omega$ )	Maximum Total Capacitance $C_T$ (pF)
3820	F0	0	Single	50	0.6	0.8
3822	F2	2	Series			
3823	F3	3	Common Anode			
3824	F4	4	Common Cathode			
Test Conditions				$V_R = V_{BR}$ Measure $I_R \leq 10 \mu\text{A}$	$f = 100 \text{ MHz}$ $I_F = 10 \text{ mA}$	$f = 1 \text{ MHz}$ $V_R = 20 \text{ V}$

## High Frequency (Low Inductance, 500 MHz – 3 GHz) PIN Diodes

Part Number HSMP-	Package Marking Code	Lead Code	Configuration	Minimum Breakdown Voltage $V_{BR}$ (V)	Maximum Series Resistance $R_s$ ( $\Omega$ )	Typical Total Capacitance $C_T$ (pF)	Maximum Total Capacitance $C_T$ (pF)	Typical Total Inductance $L_T$ (nH)
4820	FA	A	Dual Anode	50	0.6	0.75	1.2	1.0
482B	FA	A	Dual Anode					
Test Conditions				$V_R = V_{BR}$ Measure $I_R \leq 10 \mu\text{A}$	$I_F = 10 \text{ mA}$	$f = 1 \text{ MHz}$ $V_R = 20 \text{ V}$	$f = 1 \text{ MHz}$ $V_R = 0 \text{ V}$	$f = 500 \text{ MHz} -$ $3 \text{ GHz}$

## Typical Parameters at $T_c = 25^\circ\text{C}$

Part Number HSMP-	Series Resistance $R_s$ ( $\Omega$ )	Carrier Lifetime $\tau$ (ns)	Reverse Recovery Time $T_{rr}$ (ns)	Total Capacitance $C_T$ (pF)
382x	1.5	70	7	0.60 @ 20 V
Test Conditions		$f = 100 \text{ MHz}$ $I_F = 10 \text{ mA}$	$I_F = 10 \text{ mA}$	$V_R = 10 \text{ V}$ $I_F = 20 \text{ mA}$ 90% Recovery

## Typical Parameters at $T_c = 25^\circ\text{C}$ (unless otherwise noted), Single Diode

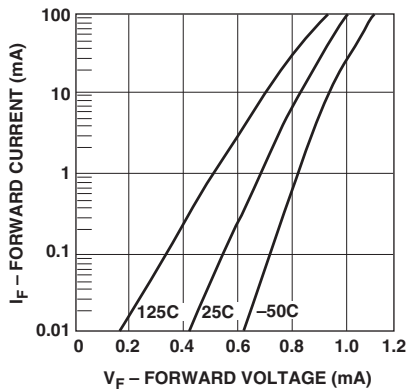


Figure 1. Forward Current vs. Forward Voltage.

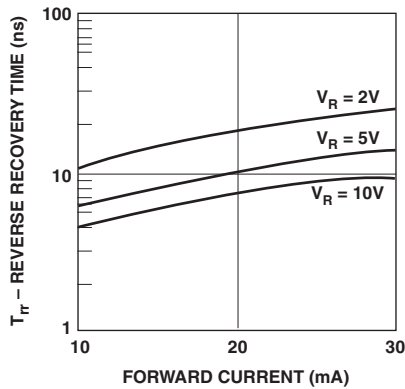


Figure 2. Reverse Recovery Time vs. Forward Current for Various Reverse Voltages.

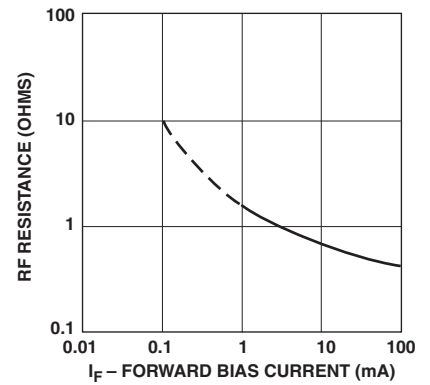


Figure 3. RF Resistance at 25C vs. Forward Bias Current.

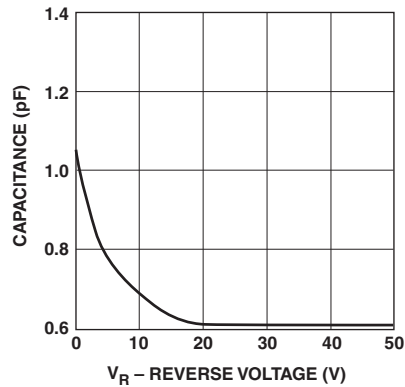


Figure 4. Capacitance vs. Reverse Voltage.

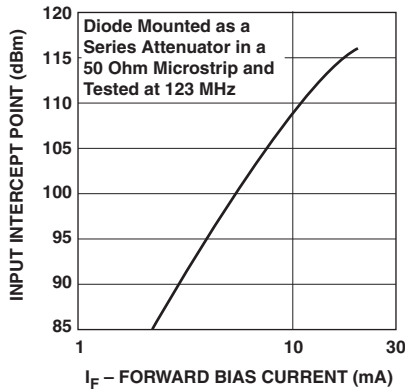


Figure 5. 2nd Harmonic Input Intercept Point vs. Forward Bias Current.

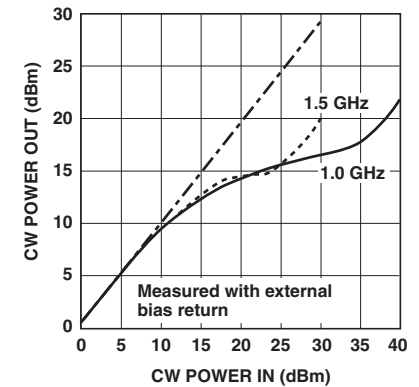


Figure 6. Large Signal Transfer Curve of the HSMP-482x Limiter.

## Typical Applications for Multiple Diode Products

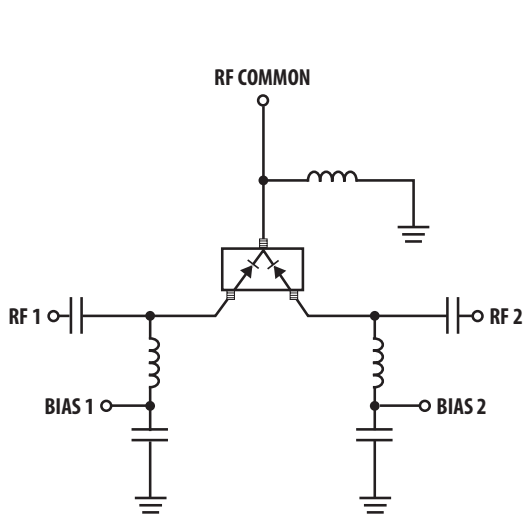


Figure 7. Simple SPDT Switch, Using Only Positive Current.

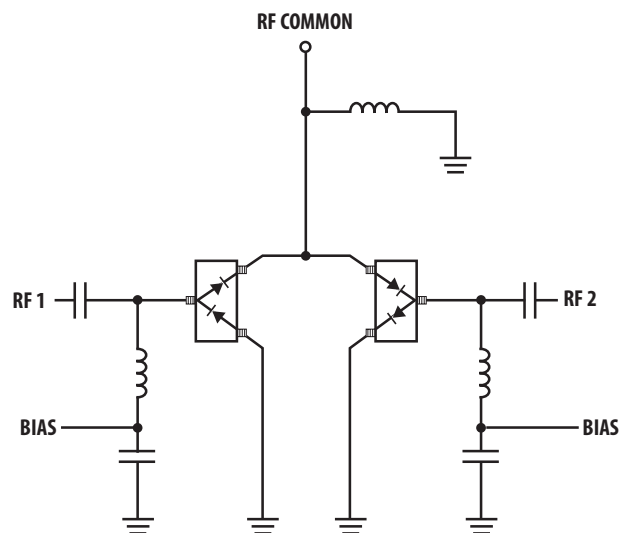
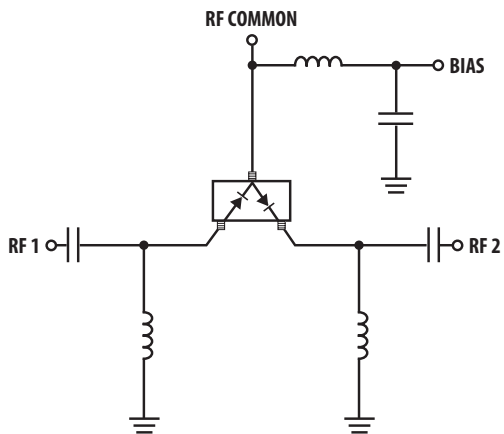
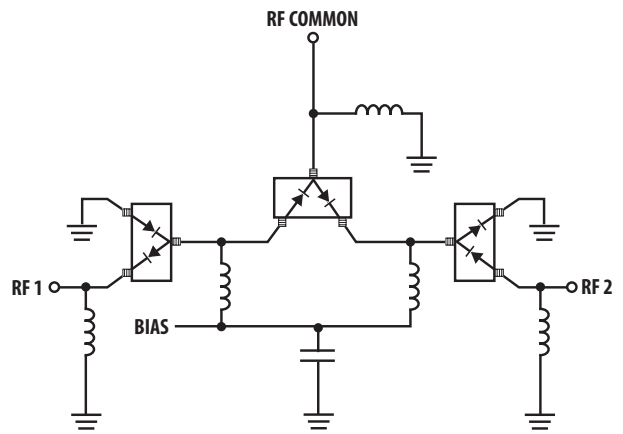


Figure 8. High Isolation SPDT Switch, Dual Bias.

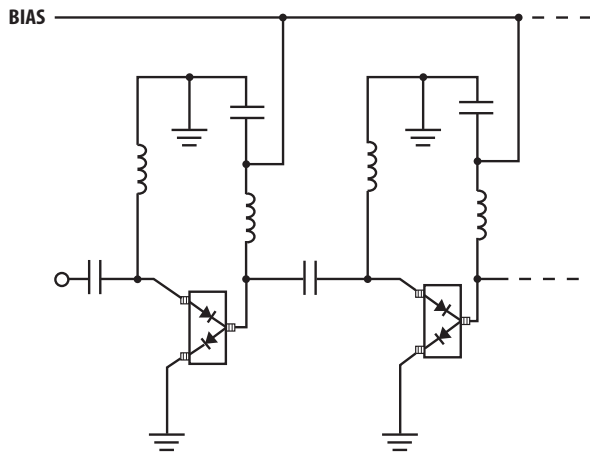
**Typical Applications for Multiple Diode Products, continued**



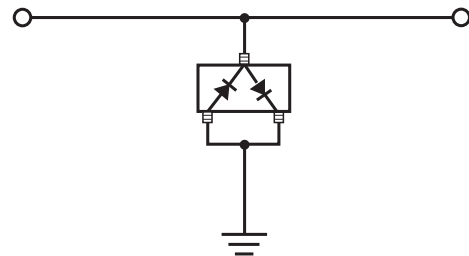
**Figure 9. Switch Using Both Positive and Negative Bias Current.**



**Figure 10. Very High Isolation SPDT Switch, Dual Bias.**



**Figure 11. High Isolation SPST Switch (Repeat Cells as Required).**



**Figure 12. Power Limiter Using HSMP-3822 Diode Pair. See Application Note 1050 for details.**

## Typical Applications for HSMP-482x Low Inductance Series

### Microstrip Series Connection for HSMP-482x Series

In order to take full advantage of the low inductance of the HSMP-482x series when using them in series applications, both lead 1 and lead 2 should be connected together, as shown in Figure 14.

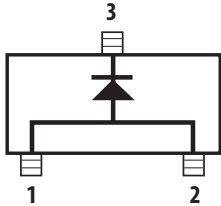


Figure 13. Internal Connections.

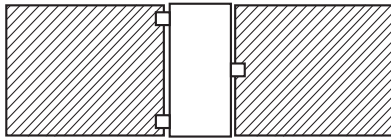


Figure 14. Circuit Layout.

### Microstrip Shunt Connections for HSMP-482x Series

In Figure 15, the center conductor of the microstrip line is interrupted and leads 1 and 2 of the HSMP-482x diode are placed across the resulting gap. This forces the 0.5 nH lead inductance of leads 1 and 2 to appear as part of a low pass filter, reducing the shunt parasitic inductance and increasing the maximum available attenuation. The 0.3 nH of shunt inductance external to the diode is created by the via holes, and is a good estimate for 0.032" thick material.

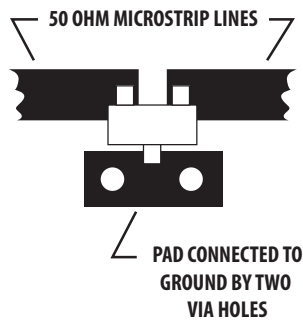


Figure 15. Circuit Layout, HSMP-482x Limiter.

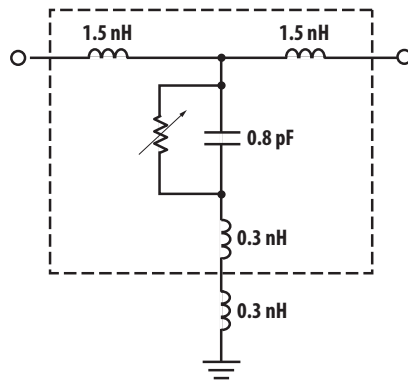


Figure 16. Equivalent Circuit.

### Co-Planar Waveguide Shunt Connection for HSMP-482x Series

Co-Planar waveguide, with ground on the top side of the printed circuit board, is shown in Figure 17. Since it eliminates the need for via holes to ground, it offers lower shunt parasitic inductance and higher maximum attenuation when compared to a microstrip circuit. See AN1050 for details.

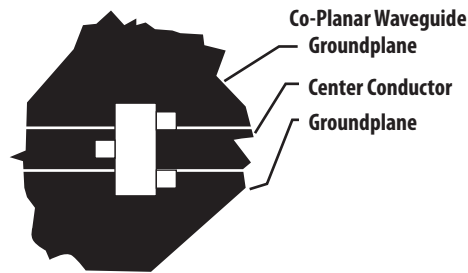


Figure 17. Circuit Layout.

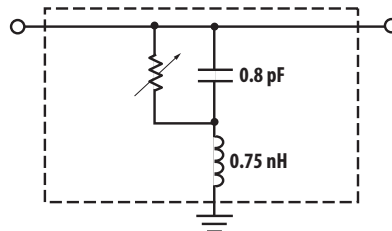


Figure 18. Equivalent Circuit.

## Assembly Information

### SOT-323 PCB Footprint

A recommended PCB pad layout for the miniature SOT-323 (SC-70) package is shown in Figure 19 (dimensions are in inches). This layout provides ample allowance for package placement by automated assembly equipment without adding parasitics that could impair the performance.

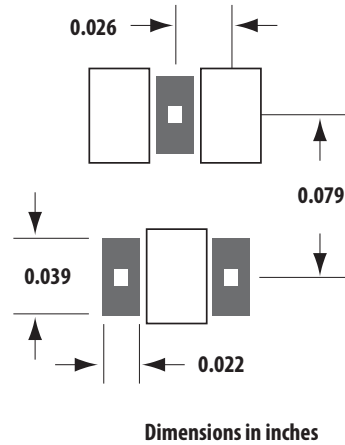


Figure 19. Recommended PCB Pad Layout for Avago's SC70 3L/SOT-323 Products.

### SOT-23 PCB Footprint

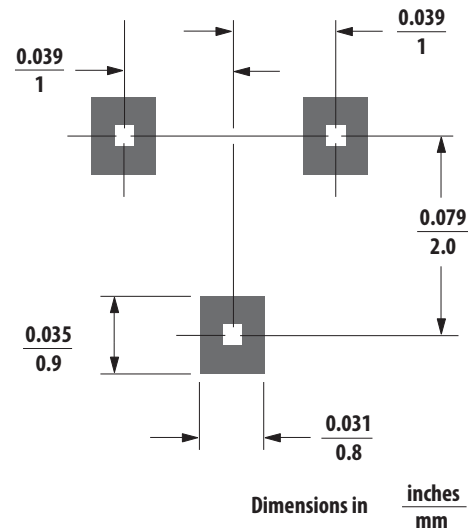


Figure 20. Recommended PCB Pad Layout for Avago's SOT-23 Products.

## SMT Assembly

Reliable assembly of surface mount components is a complex process that involves many material, process, and equipment factors, including: method of heating (e.g., IR or vapor phase reflow, wave soldering, etc.) circuit board material, conductor thickness and pattern, type of solder alloy, and the thermal conductivity and thermal mass of components. Components with a low mass, such as the SOT-323/-23 package, will reach solder reflow temperatures faster than those with a greater mass.

Avago's diodes have been qualified to the time-temperature profile shown in Figure 21. This profile is representative of an IR reflow type of surface mount assembly process.

After ramping up from room temperature, the circuit board with components attached to it (held in place with solder paste) passes through one or more preheat zones.

The preheat zones increase the temperature of the board and components to prevent thermal shock and begin evaporating solvents from the solder paste. The reflow zone briefly elevates the temperature sufficiently to produce a reflow of the solder.

The rates of change of temperature for the ramp-up and cool-down zones are chosen to be low enough to not cause deformation of the board or damage to components due to thermal shock. The maximum temperature in the reflow zone ( $T_{MAX}$ ) should not exceed 260°C.

These parameters are typical for a surface mount assembly process for Avago diodes. As a general guideline, the circuit board and components should be exposed only to the minimum temperatures and times necessary to achieve a uniform reflow of solder.

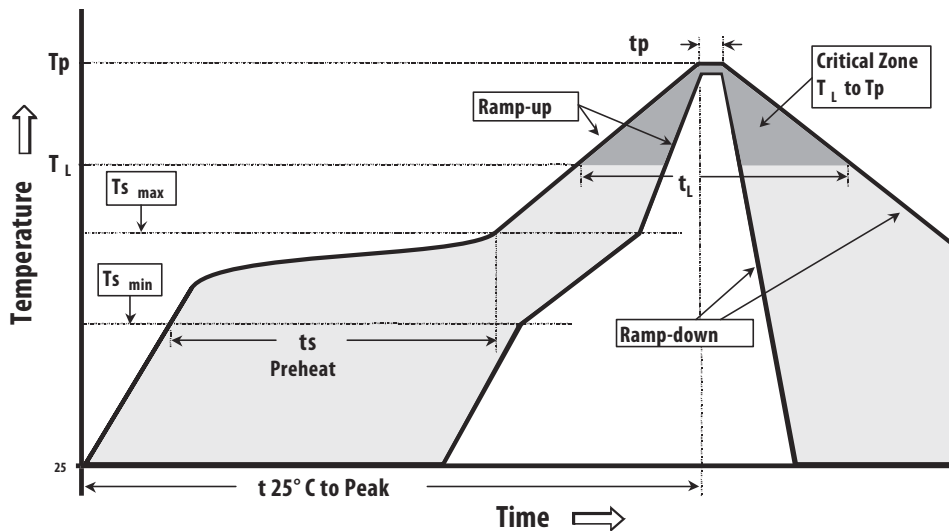


Figure 21. Surface Mount Assembly Profile.

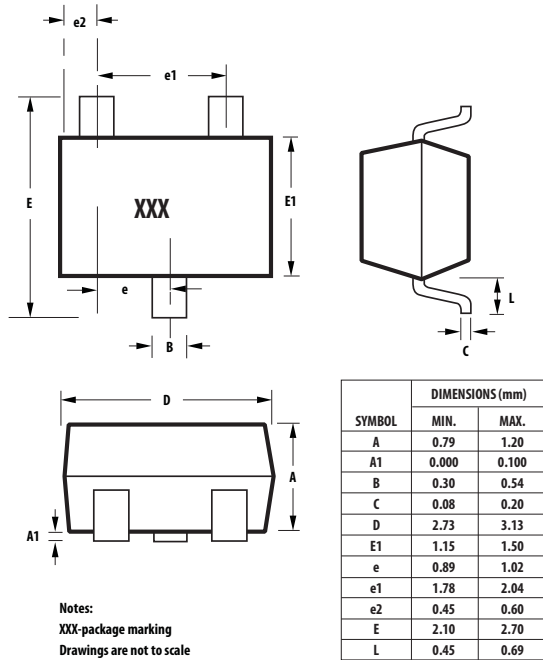
### Lead-Free Reflow Profile Recommendation (IPC/JEDEC J-STD-020C)

Reflow Parameter	Lead-Free Assembly	
Average ramp-up rate (Liquidus Temperature ( $T_{S(max)}$ ) to Peak)	3°C/ second max	
Preheat	Temperature Min ( $T_{S(min)}$ )	150°C
	Temperature Max ( $T_{S(max)}$ )	200°C
	Time (min to max) ( $t_s$ )	60-180 seconds
$T_s(max)$ to $T_L$ Ramp-up Rate	3°C/second max	
Time maintained above:	Temperature ( $T_L$ )	217°C
	Time ( $t_L$ )	60-150 seconds
Peak Temperature ( $T_p$ )	260 +0/-5°C	
Time within 5 °C of actual Peak temperature ( $t_p$ )	20-40 seconds	
Ramp-down Rate	6°C/second max	
Time 25 °C to Peak Temperature	8 minutes max	

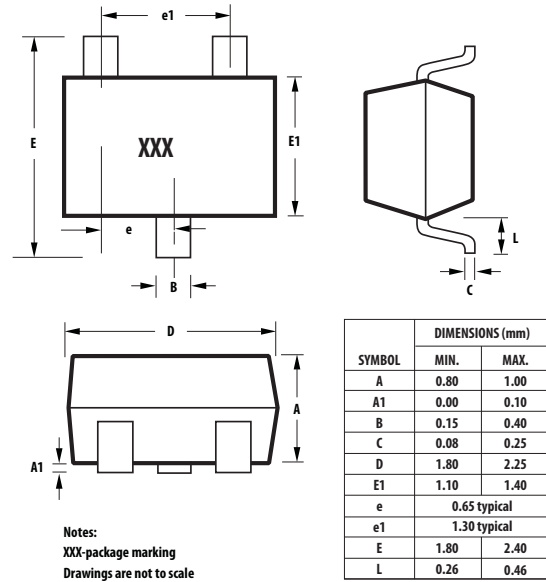
Note 1: All temperatures refer to topside of the package, measured on the package body surface

## Package Dimensions

### Outline 23 (SOT-23)



### Outline SOT-323 (SC-70)

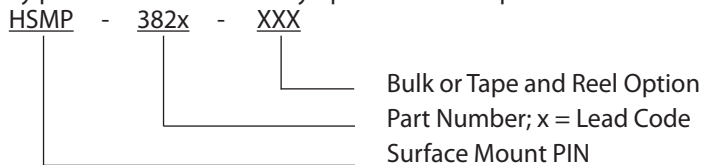


## Package Characteristics

Lead Material ..... Copper (SOT-323); Alloy 42 (SOT-23)  
 Lead Finish ..... Tin 100% (Lead-free option)  
 Maximum Soldering Temperature ..... 260°C for 5 seconds  
 Minimum Lead Strength..... 2 pounds pull  
 Typical Package Inductance ..... 2 nH  
 Typical Package Capacitance ..... 0.08 pF (opposite leads)

## Ordering Information

Specify part number followed by option. For example:



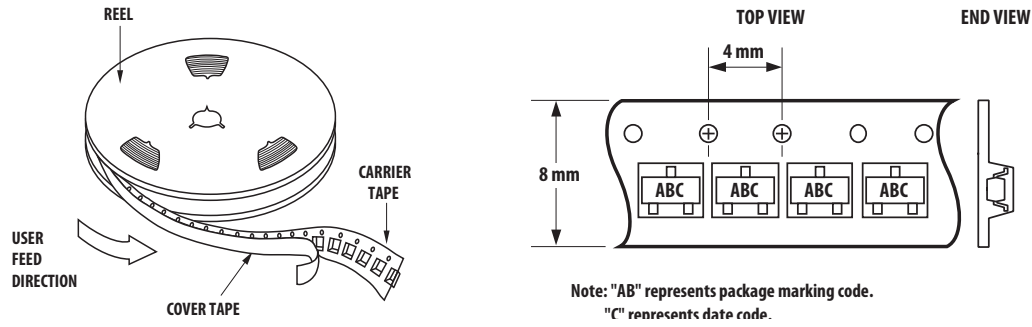
## Option Descriptions

- BLKG = Bulk, 100 pcs. per antistatic bag
- TR1G = Tape and Reel, 3000 devices per 7" reel
- TR2G = Tape and Reel, 10,000 devices per 13" reel

Tape and Reeling conforms to Electronic Industries RS-481, "Taping of Surface Mounted Components for Automated Placement."

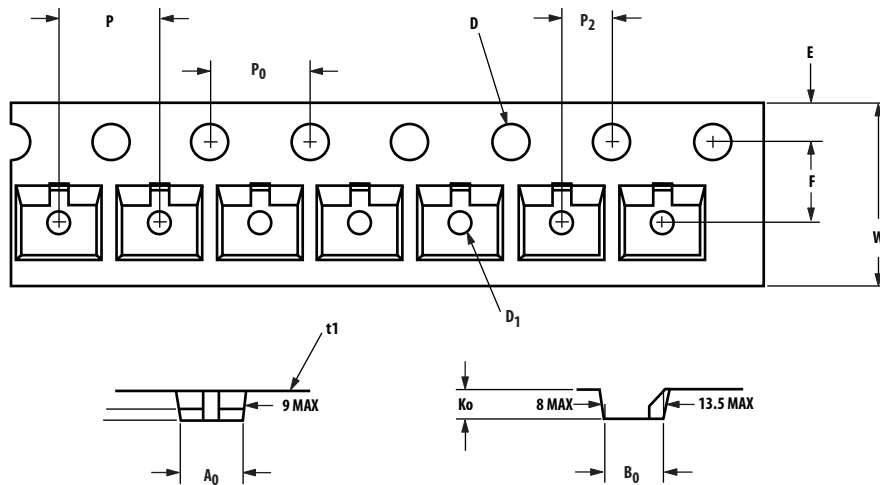
## Device Orientation

### For Outlines SOT-23/323



## Tape Dimensions and Product Orientation

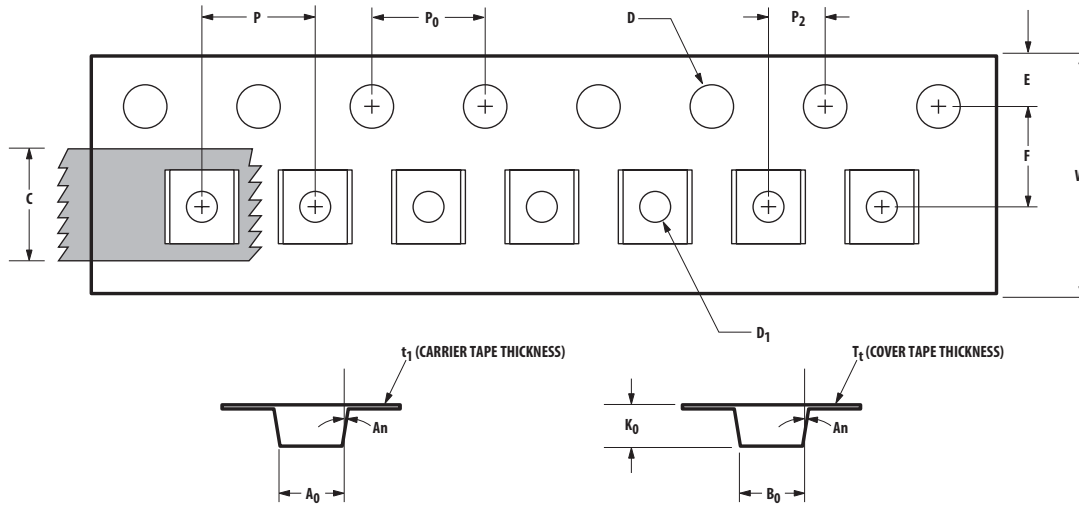
### For Outline SOT-23



DESCRIPTION		SYMBOL	SIZE (mm)	SIZE (INCHES)
CAVITY	LENGTH	$A_0$	$3.15 \pm 0.10$	$0.124 \pm 0.004$
	WIDTH	$B_0$	$2.77 \pm 0.10$	$0.109 \pm 0.004$
	DEPTH	$K_0$	$1.22 \pm 0.10$	$0.048 \pm 0.004$
	PITCH	$P$	$4.00 \pm 0.10$	$0.157 \pm 0.004$
	BOTTOM HOLE DIAMETER	$D_1$	$1.00 + 0.05$	$0.039 \pm 0.002$
	PERFORATION	DIAMETER	$D$	$1.50 + 0.10$
PERFORATION	PITCH	$P_0$	$4.00 \pm 0.10$	$0.157 \pm 0.004$
	POSITION	$E$	$1.75 \pm 0.10$	$0.069 \pm 0.004$
	CARRIER TAPE	WIDTH	$W$	$8.00 + 0.30 - 0.10$
CARRIER TAPE	THICKNESS	$t_1$	$0.229 \pm 0.013$	$0.009 \pm 0.0005$
	DISTANCE BETWEEN CENTERLINE	CAVITY TO PERFORATION (WIDTH DIRECTION)	$F$	$3.50 \pm 0.05$
CAVITY TO PERFORATION (LENGTH DIRECTION)		$P_2$	$2.00 \pm 0.05$	$0.079 \pm 0.002$



## Tape Dimensions and Product Orientation For Outline SOT-323



DESCRIPTION		SYMBOL	SIZE (mm)	SIZE (INCHES)
CAVITY	LENGTH	A <sub>0</sub>	2.40 ± 0.10	0.094 ± 0.004
	WIDTH	B <sub>0</sub>	2.40 ± 0.10	0.094 ± 0.004
	DEPTH	K <sub>0</sub>	1.20 ± 0.10	0.047 ± 0.004
	PITCH	P	4.00 ± 0.10	0.157 ± 0.004
	BOTTOM HOLE DIAMETER	D <sub>1</sub>	1.00 ± 0.25	0.039 ± 0.010
PERFORATION	DIAMETER	D	1.55 ± 0.05	0.061 ± 0.002
	PITCH	P <sub>0</sub>	4.00 ± 0.10	0.157 ± 0.004
	POSITION	E	1.75 ± 0.10	0.069 ± 0.004
CARRIER TAPE	WIDTH	W	8.00 ± 0.30	0.315 ± 0.012
	THICKNESS	t <sub>1</sub>	0.254 ± 0.02	0.0100 ± 0.0008
COVER TAPE	WIDTH	C	5.4 ± 0.10	0.205 ± 0.004
	TAPE THICKNESS	T <sub>t</sub>	0.062 ± 0.001	0.0025 ± 0.00004
DISTANCE	CAVITY TO PERFORATION (WIDTH DIRECTION)	F	3.50 ± 0.05	0.138 ± 0.002
	CAVITY TO PERFORATION (LENGTH DIRECTION)	P <sub>2</sub>	2.00 ± 0.05	0.079 ± 0.002
ANGLE	FOR SOT-323 (SC70-3 LEAD)	An	8C MAX	
	FOR SOT-363 (SC70-6 LEAD)		10C MAX	

For product information and a complete list of distributors, please go to our web site: [www.avagotech.com](http://www.avagotech.com)

Avago, Avago Technologies, and the A logo are trademarks of Avago Technologies in the United States and other countries. Data subject to change. Copyright © 2005-2012 Avago Technologies. All rights reserved. Obsoletes 5989-4026EN AV02-1395EN - April 24, 2012

**Avago**  
TECHNOLOGIES

# Mouser Electronics

Authorized Distributor

Click to View Pricing, Inventory, Delivery & Lifecycle Information:

[Broadcom Limited:](#)

[HSMP-4820-BLKG](#) [HSMP-4820-TR1G](#) [HSMP-4820-TR2G](#)