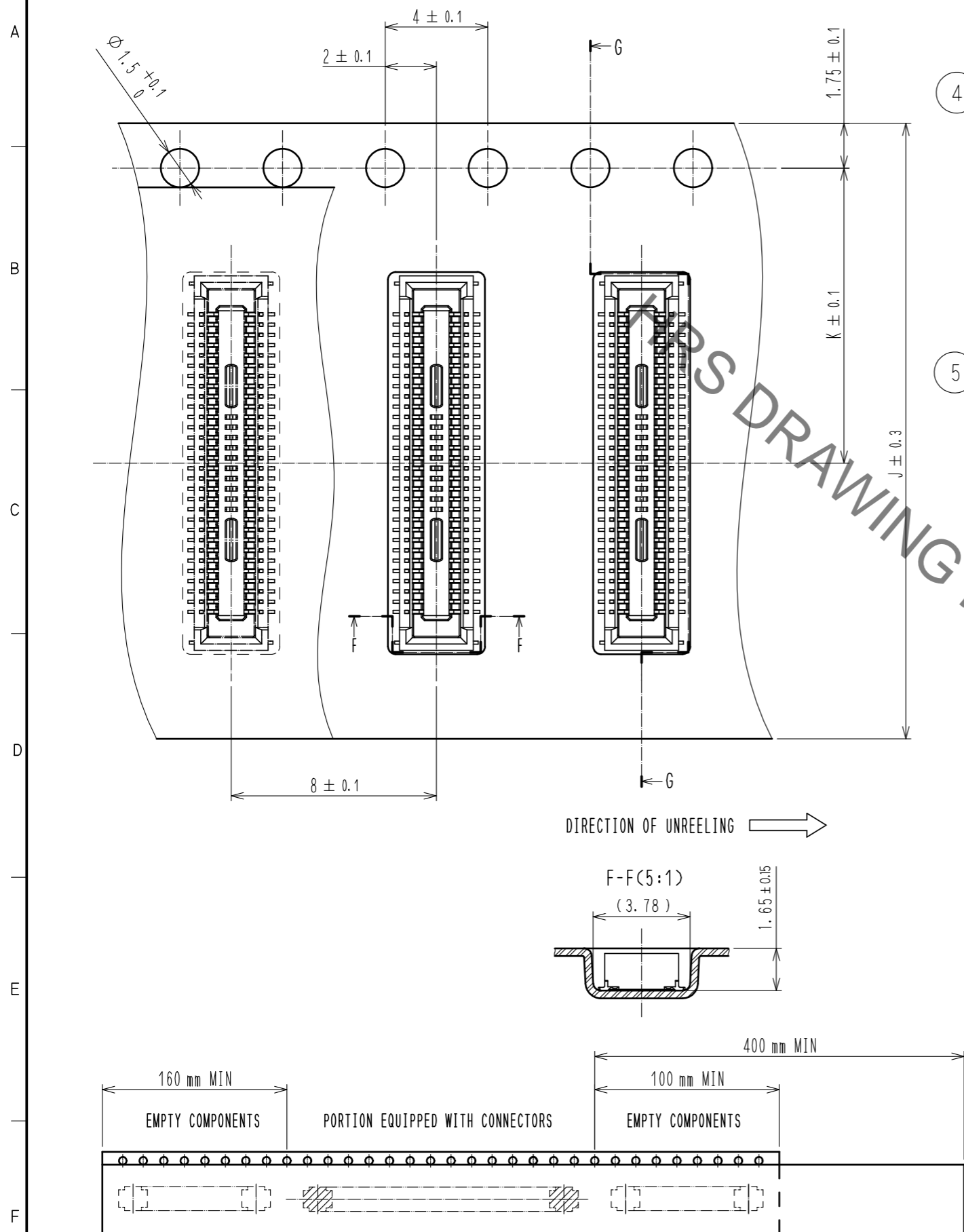
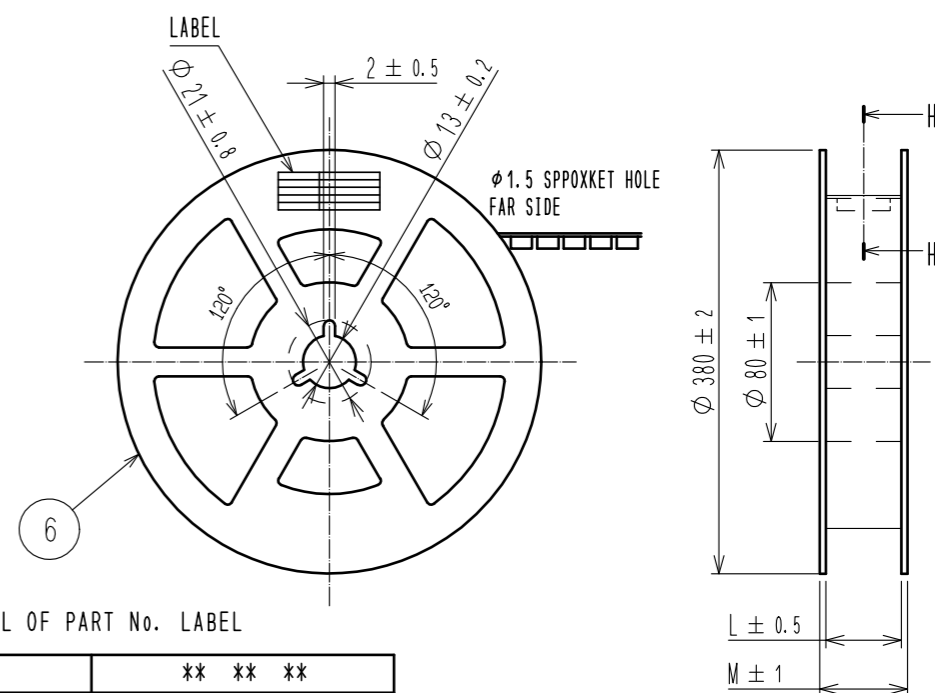


Sep.1.2021 Copyright 2021 HIROSE ELECTRIC CO., LTD. All Rights Reserved.  
In case of consideration for using Automotive equipment / device which demand high reliability, kindly contact our sales window correspondents.

EMBOSSED CARRIER TAPE PACKAGING (5:1)



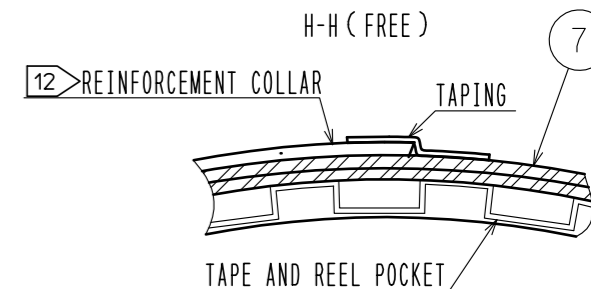
STYLE AND DIMENSION OF REEL(FREE)



10) DETAIL OF PART No. LABEL

製造年月日	** ** *
製品コード	CL684-*****-51
製品名	DF40B-*DS-0.4V(51)
数量	5000
納入者	ヒロセ電機(株)

製品名	J	K	L	M	N
DF40B-10DS-0.4V(51)	16	7.5	17.5	21.5	2.9
DF40B-12DS-0.4V(51)	16	7.5	17.5	21.5	3.3
DF40B-20DS-0.4V(51)	16	7.5	17.5	21.5	4.9
DF40B-24DS-0.4V(51)	16	7.5	17.5	21.5	6.9
DF40B-30DS-0.4V(51)	24	11.5	25.5	29.5	8.9
DF40B-40DS-0.4V(51)	24	11.5	25.5	29.5	10.9
DF40B-50DS-0.4V(51)	24	11.5	25.5	29.5	12.9
DF40B-60DS-0.4V(51)	24	11.5	25.5	29.5	14.9
DF40B-80DS-0.4V(51)	32	14.2	33.5	37.5	18.9
DF40B-100DS-0.4V(51)	44	20.2	45.5	49.5	22.9



NOTES 7. PER REEL 5000 CONNECTORS.

8. THE DIMENSIONS IN PARENTHESES ARE FOR REFERENCE.  
9) REFER TO JIS C 0806(IEC 60286-3)(PACKING OF COMPONENTS FOR AUTOMATIC HANDLING)

10) DETAIL OF PART No. LABEL IS WRITTEN IN JAPANESE.  
PART No. LABEL DESCRIBES THE FOLLOWING INFORMATION FROM TOP.

PRODUCTION DATE:  
PRODUCT CODE: CL684-\*\*\*\*\*-51  
PART NUMBER: DF40B-\*DS-0.4V(51)  
NUMBER OF PIECES: 5000 PIECES  
SUPPLIER NAME: HIROSE ELECTRIC CO., LTD.

11. 80 TO 100 POSITIONS EMBOSSED CARRIER TAPE HAS THE SPROCKET HOLE ON BOTH SIDES.

12) AFTER PACKAGING, ROLL 2 METERS OF THE REINFORCEMENT COLLAR TO OUTER CIRCUMFERENCE OF TAPE AND REEL POCKET, AND TAPE DOWN AT THE END THE COLLAR.

<b>HRS</b>	DRAWING NO.	EDC3-316871-01
	PART NO.	DF40B-*DS-0.4V(51)
	CODE NO.	CL684

# Mouser Electronics

Authorized Distributor

Click to View Pricing, Inventory, Delivery & Lifecycle Information:

[Hirose Electric:](#)

[DF40B-50DS-0.4V\(51\)](#)