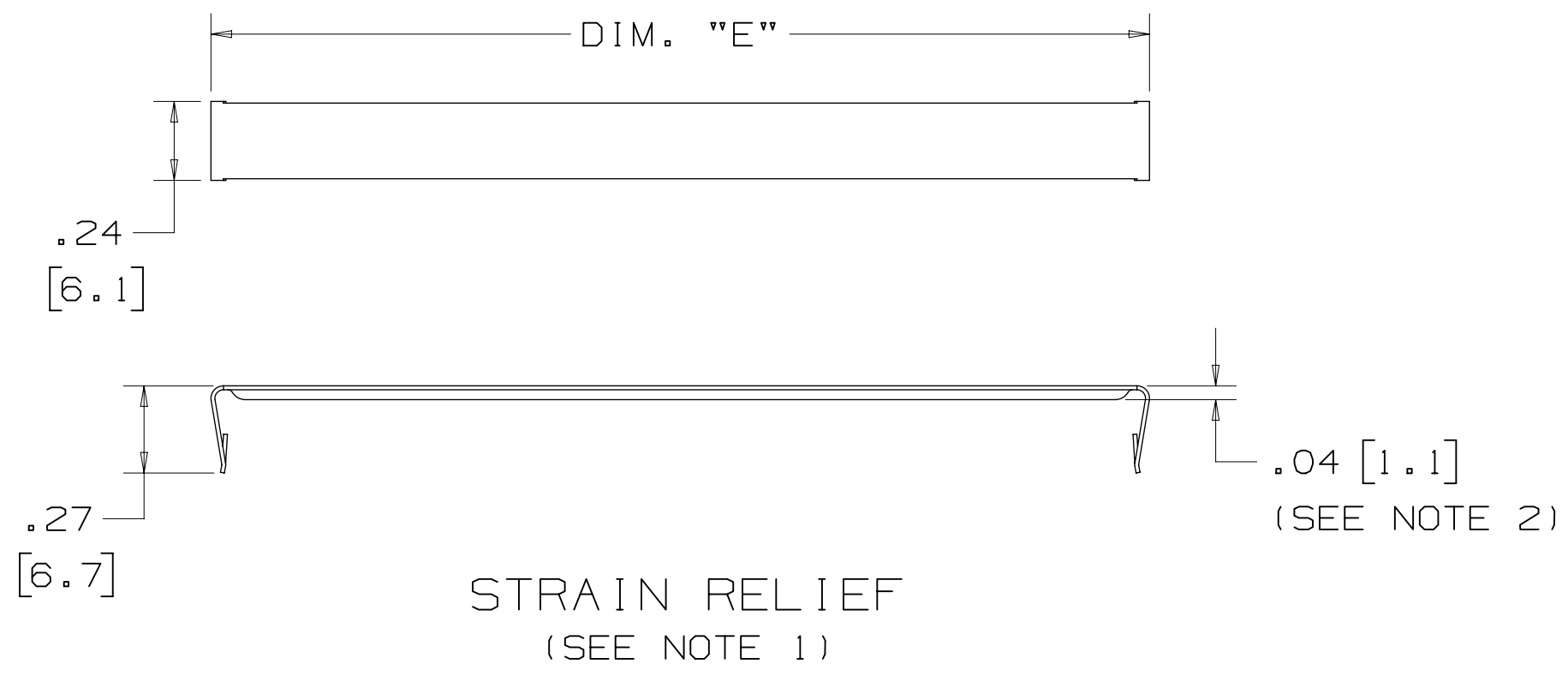


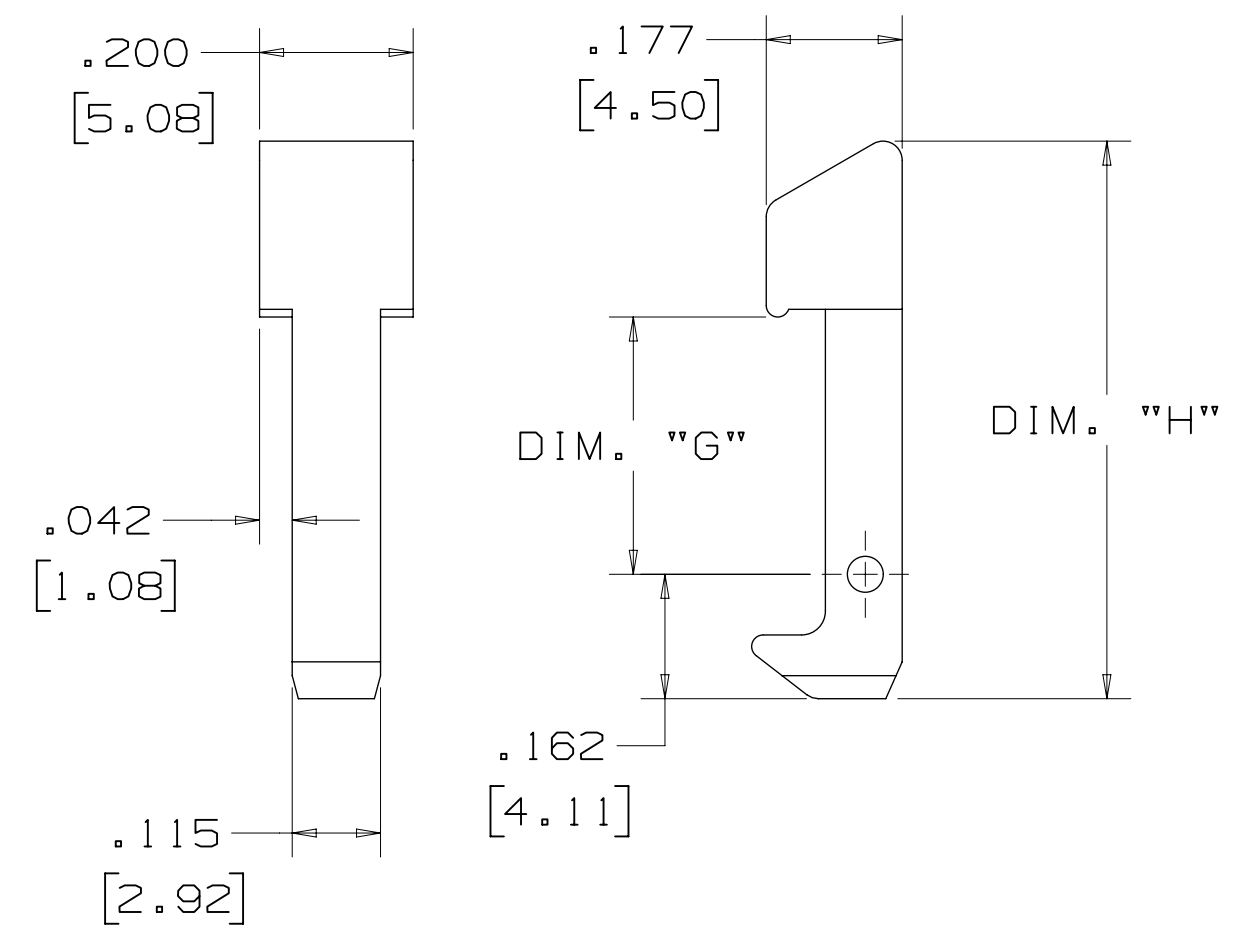
3M™ WIREMOUNT PLUG, 4600 SERIES
 .100 X .100, LATCH/EJECT CONNECTOR FOR .050" PITCH CABLE

- NOTES
- MATERIAL: .012 (0.30) THK STAINLESS STEEL.
 - THE DISTANCE FROM THE STRAIN RELIEF TO THE CONNECTOR IS EQUAL TO .04 (1.0) PLUS THE CABLE THICKNESS.
 - POLARIZATION OF 10 POSITION PRODUCT CAN BE EITHER:
 - CENTER NOTCH B: 4610-XX5X
 - NOTCH C: 4610-XX0X.

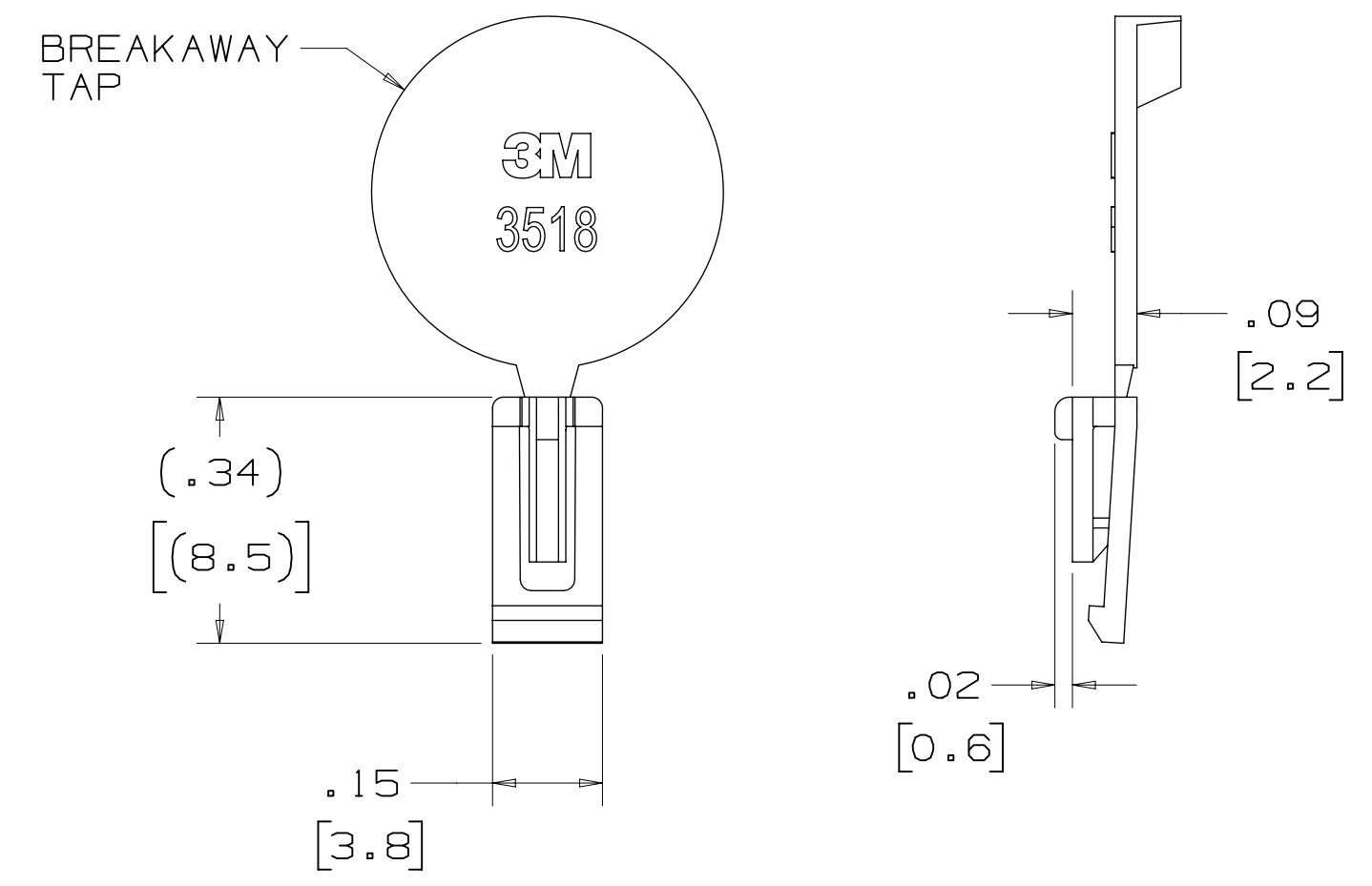
PIN QTY.	DIM. "A"	DIM. "B"	DIM. "C"	DIM. "D"	DIM. "E"	DIM. "F"	POLARIZING NOTCHES PROVIDED
10	1.50 [38.1]	.71 [18.0]	1.20 [30.5]	.77 [19.6]	.85 [21.6]	.90 [22.9]	B OR C (SEE NOTE 3)
14	1.70 [43.2]	.91 [23.1]	1.40 [35.6]	.97 [24.6]	1.05 [26.7]	1.10 [27.9]	B, C
16	1.80 [45.7]	1.01 [25.7]	1.50 [38.1]	1.07 [27.2]	1.15 [29.2]	1.20 [30.5]	A, B, C
20	2.00 [50.8]	1.21 [30.7]	1.70 [43.2]	1.27 [32.3]	1.35 [34.3]	1.40 [35.6]	A, B, C
24	2.20 [55.9]	1.41 [35.8]	1.90 [48.3]	1.47 [37.3]	1.55 [41.9]	1.60 [40.6]	A, B, C
26	2.30 [58.4]	1.51 [38.4]	2.00 [50.8]	1.57 [39.9]	1.65 [46.9]	1.70 [43.2]	A, B, C
30	2.50 [63.5]	1.71 [43.4]	2.20 [55.9]	1.77 [45.0]	1.85 [47.1]	1.90 [48.3]	A, B, C
34	2.70 [68.6]	1.91 [48.5]	2.40 [61.0]	1.97 [50.0]	2.05 [52.1]	2.10 [53.3]	A, B, C
36	2.80 [71.1]	2.01 [51.1]	2.50 [63.5]	2.07 [52.6]	2.15 [54.6]	2.20 [55.9]	A, B, C
40	3.00 [76.2]	2.21 [56.1]	2.70 [68.6]	2.27 [57.7]	2.35 [59.7]	2.40 [61.0]	A, B, C
50	3.50 [88.9]	2.71 [68.8]	3.20 [81.3]	2.77 [70.4]	2.85 [72.4]	2.90 [73.7]	A, B, C
60	4.00 [101.6]	3.21 [81.5]	3.70 [94.0]	3.27 [83.1]	3.35 [85.1]	3.40 [86.4]	A, B, C
64	4.20 [106.7]	3.41 [86.6]	3.90 [99.1]	3.47 [88.1]	3.55 [90.2]	3.60 [91.4]	A, B, C



EJECTOR/LATCH



POLARIZING KEY
 3M PART NO: 3518
 (ORDER SEPARATELY)



3M PART NO.	MATERIAL	COLOR
N3518	LCP	BLACK

EJECTOR/LATCH OPTION	PART NUMBER	DIM. "G"	DIM. "H"	DIM. "I"	DIM. "J"	MATERIAL	COLOR
SHORT	3505-16	.335 [8.51]	.726 [18.44]	.92 [23.4]	.41 [10.4]	PBT	GRAY
LONG	3505-17	.484 [12.29]	.875 [22.23]	1.07 [27.2]	.56 [14.2]		

3M ELECTRONICS MATERIALS SOLUTIONS DIVISION
 INTERCONNECT SOLUTIONS
<http://www.3m.com/interconnect>
 3M IS A TRADEMARK OF 3M COMPANY.
 FOR TECHNICAL, SALES OR ORDERING
 INFORMATION CALL 800-225-5373

DESIGN REFERENCE	NEXT ASSEMBLY	REV	ECO	ISSUE DATE AND DESCRIPTION	DRFT	CHKD
APPROVED	DATE	APPROVED	DATE	DATE		
CHKD	DATE	APPRV	DATE	DATE		
DIVISION	DIVISION CODE	© 3M COPYRIGHT 2021 This document and the information it contains are 3M property and may not be reproduced or further distributed without 3M permission, or used or disclosed other than for 3M authorized purposes. All rights reserved.				
DO NOT SCALE DRAWING	SCALE 4/1	TOLERANCES EXCEPT AS NOTED INCHES: .00 ± .01 .000 ± .005 .0000 ± .0002 MILLIMETERS: 0 ± .00 ± .00 ± .00 ±				
THIRD ANGLE PROJECTION	INTERPRET PER ASME Y14.5 - 2018	TITLE WIREMOUNT PLUG CONN., LATCH/EJECT, .100 X .100				
MAX SURFACE ROUGHNESS	MARKED ONLY	CAGE NUMBER	SIZE	DRAWING NO.	REV.	
		D	4600	78-5100-0086-8	E	
		MODEL	4600	DET	IS1S	YES X NO
						SHT 3 OF 4

3M™ WIREMOUNT PLUG, 4600 SERIES
 .100 X .100, LATCH/EJECT CONNECTOR FOR .050" PITCH CABLE

Regulatory: For regulatory information about this product, visit 3M.com/regs or contact your 3M representative.

Technical Information: The technical information, recommendations and other statements contained in this document are based upon tests or experience that 3M believes are reliable, but the accuracy or completeness of such information is not guaranteed.

Product Use: Many factors beyond 3M's control and uniquely within user's control can affect the use and performance of a 3M product in a particular application. Given the variety of factors that can affect the use and performance of a 3M product, user is solely responsible for evaluating the 3M product and determining whether it is fit for a particular purpose and suitable for user's method of application.

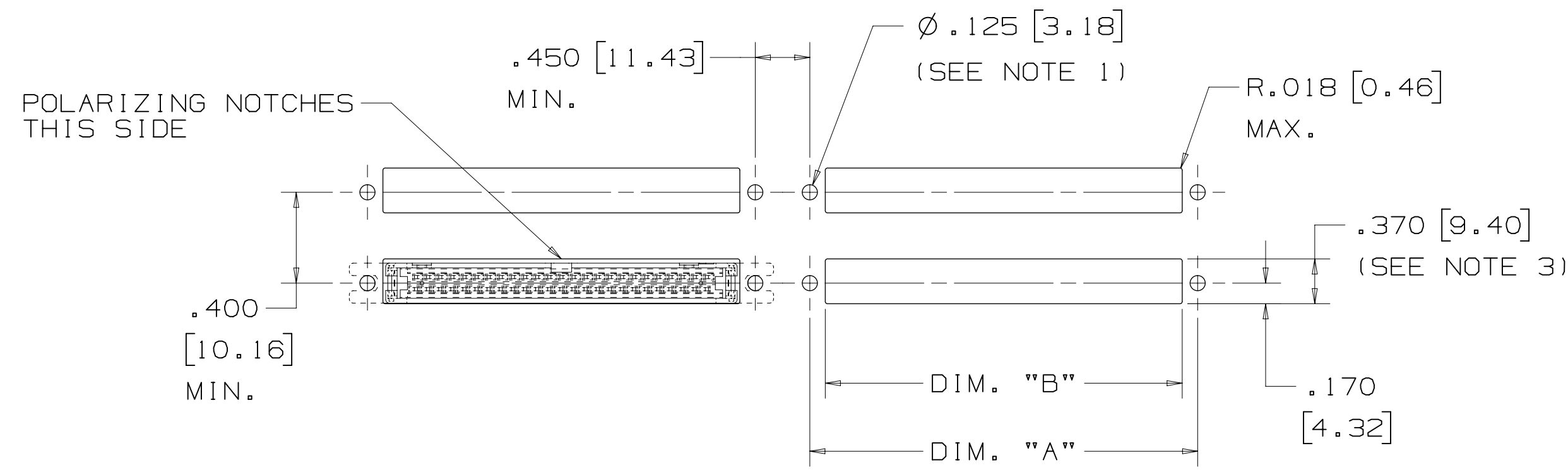
Warranty, Limited Remedy, and Disclaimer: Unless an additional warranty is specifically stated on the applicable 3M product packaging or product literature, 3M warrants that each 3M product meets the applicable 3M product specification at the time 3M ships the product. 3M MAKES NO OTHER WARRANTIES OR CONDITIONS, EXPRESS OR IMPLIED, INCLUDING, BUT NOT LIMITED TO, ANY IMPLIED WARRANTY OR CONDITION OF MERCHANTABILITY OR FITNESS FOR A PARTICULAR PURPOSE OR ANY IMPLIED WARRANTY OR CONDITION ARISING OUT OF A COURSE OF DEALING, CUSTOM OR USAGE OR TRADE. If the 3M product does not conform to this warranty, then the sole and exclusive remedy is, at 3M's option, replacement of the 3M product or refund of the purchase price.

Limitation of Liability: Except where prohibited by law, 3M will not be liable for any loss or damage arising from the 3M product, whether direct, indirect, special, incidental or consequential, regardless of the legal theory asserted, including warranty, contract, negligence or strict liability.

3M Company
 Electronics Materials Solutions Division
 13011 McCallen Pass, Bldg. C
 Austin, TX 78753-5380
 1-800-225-5373
 www.3M.com/interconnect

NOTES	
1	ACCEPTS #4 PAN HEAD MACHINE SCREW.
2	FOR A REAR MOUNT PLUG CONNECTOR WITH EJECTOR/LATCHES, THE RECOMMENDED MAXIMUM PANEL THICKNESS IS .125 [3.18].
3	WITHOUT POLARIZING KEYS .340 [8.64].

TABLE 3			
PIN QTY.	PART NUMBER	DIM. "A"	DIM. "B"
10	4610	1.200 [30.48]	.945 [24.00]
14	4614	1.400 [35.56]	1.145 [29.08]
16	4616	1.500 [38.10]	1.245 [31.62]
20	4620	1.700 [43.18]	1.445 [36.70]
24	4624	1.900 [48.26]	1.645 [41.78]
26	4626	2.00 [50.80]	1.745 [44.32]
30	4630	2.200 [55.88]	1.945 [49.40]
34	4634	2.400 [60.96]	2.145 [54.48]
36	4636	2.500 [63.50]	2.245 [57.02]
40	4640	2.700 [68.58]	2.445 [62.10]
50	4650	3.200 [81.28]	2.945 [74.80]
60	4660	3.700 [93.98]	3.445 [87.50]
64	4664	3.900 [99.06]	3.645 [92.58]



REAR MOUNT PANEL CUT-OUT

3M ELECTRONICS MATERIALS SOLUTIONS DIVISION
 INTERCONNECT SOLUTIONS
<http://www.3M.com/interconnect>

3M IS A TRADEMARK OF 3M COMPANY.
 FOR TECHNICAL, SALES OR ORDERING
 INFORMATION CALL 800-225-5373

DESIGN REFERENCE	NEXT ASSEMBLY	REV	ECO	ISSUE DATE AND DESCRIPTION	DRFT	CHKD
DO NOT SCALE DRAWING	SCALE 4/1	TOLERANCES EXCEPT AS NOTED		INCHES: .0 ± .1 .00 ± .01 .000 ± .005 .0000 ± .0002		
THIRD ANGLE PROJECTION	INTERPRET PER ASME Y14.5 - 2018	MILLIMETERS: 0 ± .0 ± .00 ± 0.00 ±		TITLE WIREMOUNT PLUG CONN., LATCH/EJECT, .100 X .100		
MAX SURFACE ROUGHNESS	DT SURFACES	CAGE NUMBER	SIZE	DRAWING NO.	REV.	
<input checked="" type="checkbox"/> MARKED ONLY	ANGLES	D		78-5100-0086-8	E	
		MODEL	4600	DET	ISTS	YES <input type="checkbox"/> NO <input type="checkbox"/> SHT 4 OF 4

Mouser Electronics

Authorized Distributor

Click to View Pricing, Inventory, Delivery & Lifecycle Information:

[3M:](#)

[4610-6200](#) [4610-6250](#) [4610-6301](#) [4610-7050](#) [4610-7055](#) [4610-7201](#) [4610-7250](#) [4610-7301](#) [4610-7350](#) [4610-7355](#) [4614-6200](#) [4614-6201](#) [4614-6205](#) [4614-6300](#) [4614-7200](#) [4614-7201](#) [4614-7300](#) [4614-7301](#) [4616-6005](#) [4616-6200](#) [4616-6201](#) [4616-6300](#) [4616-6305](#) [4616-7000](#) [4616-7001](#) [4616-7005](#) [4616-7300](#) [4616-7301](#) [4620-6005](#) [4620-6200](#) [4620-6201](#) [4620-6301](#) [4620-7005](#) [4620-7200](#) [4620-7301](#) [4620-7305](#) [4624-6300](#) [4624-6301](#) [4624-7001](#) [4626-6005](#) [4626-6200](#) [4626-6201](#) [4626-6205](#) [4626-6305](#) [4626-7000](#) [4626-7001](#) [4626-7005](#) [4626-7200](#) [4626-7300](#) [4626-7301](#) [4626-7305](#) [4630-6001](#) [4630-6205](#) [4630-6301](#) [4630-6305](#) [4630-7201](#) [4630-7301](#) [4634-6005](#) [4634-6201](#) [4634-6301](#) [4634-7000](#) [4634-7200](#) [4634-7201](#) [4634-7301](#) [4636-6300](#) [4640-6005](#) [4640-6200](#) [4640-6201](#) [4640-6301](#) [4640-6305](#) [4640-7000](#) [4640-7201](#) [4640-7305](#) [4650-6201](#) [4650-6205](#) [4650-6705](#) [4650-7000](#) [4650-7005](#) [4650-7201](#) [4650-7301](#) [4650-7305](#) [4660-6300](#) [4660-6305](#) [4660-7000](#) [4660-7001](#) [4660-7300](#) [4664-6000](#) [4664-6001](#) [4664-6200](#) [4664-6201](#) [4664-6300](#) [4664-6301](#) [4664-6305](#) [4664-7000](#) [4610-6005](#) [4610-6201](#) [4610-6205](#) [4610-6305](#) [4610-6705](#) [4610-7001](#)