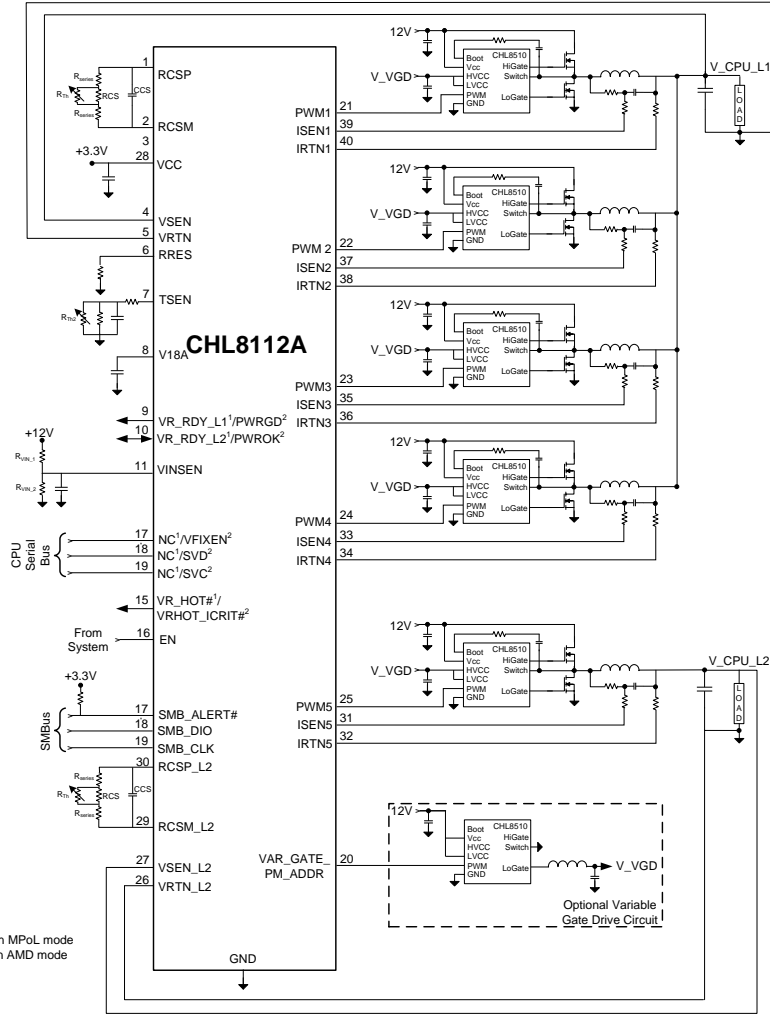
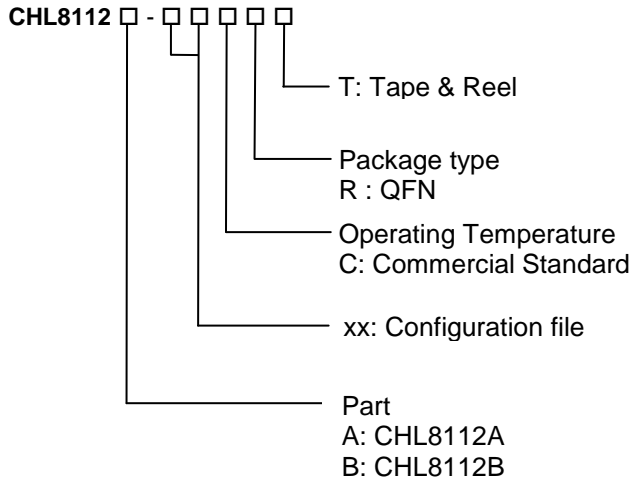


TYPICAL APPLICATIONS BLOCK DIAGRAMS



Notes  
<sup>1</sup> Pin definition in MPoL mode  
<sup>2</sup> Pin definition in AMD mode

ORDERING INFORMATION



Package	Tape & Reel Qty	Part Number
QFN	3000	CHL8112A-00CRT <sup>1</sup>
QFN	3000	CHL8112A-xxCRT <sup>2</sup>
QFN	3000	CHL8112B-00CRT <sup>1</sup>
QFN	3000	CHL8112B-xxCRT <sup>2</sup>

Notes

- For unprogrammed/default parts, use configuration file 00. Unprogrammed parts will not start up until programmed in order to insure a safe power up.
- xx indicates a customer specific configuration file

# Mouser Electronics

Authorized Distributor

Click to View Pricing, Inventory, Delivery & Lifecycle Information:

[Infineon:](#)

[CHL8112A-00CRT](#)