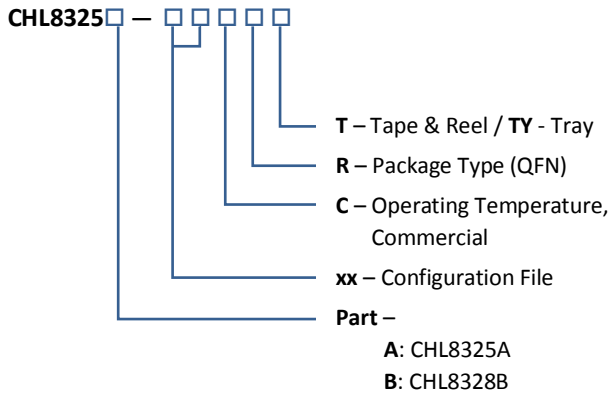
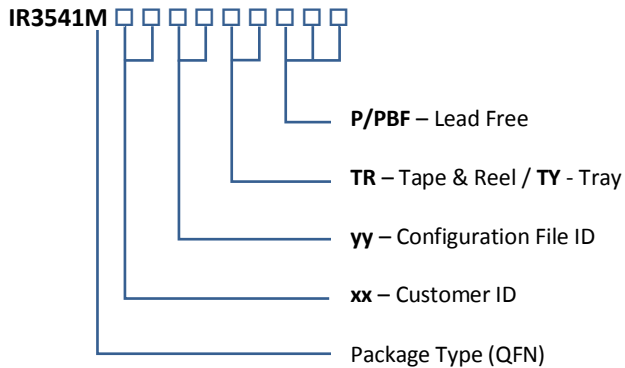


**ORDERING INFORMATION**



Package	Packing Qty	Part Number	Programming
QFN	TR=3000	<b>IR3541MTRPBFB</b>	Default
	TY=4900	<b>IR3541MTYPBFB</b>	
QFN	TR=3000	<b>IR3541MxxyyTRP<sup>1</sup></b>	Customer Configuration

**Notes:**

1. Customer Specific Configuration File, where xx = Customer ID and yy = Configuration File (Codes assigned by IR Marketing).

Package	Packing Qty	Part Number
QFN	T=3000	<b>CHL8325A-00CRT</b>
	TY=4900	<b>CHL8325A-00CRTY</b>
QFN	T=3000	<b>CHL8325A-xxCRT<sup>1</sup></b>
	TY=4900	<b>CHL8325A-xxCRTY<sup>1</sup></b>
QFN	T=3000	<b>CHL8325B-00CRT</b>
	TY=4900	<b>CHL8325B-00CRTY</b>
QFN	T=3000	<b>CHL8325B-xxCRT<sup>1</sup></b>

**Notes:**

1. "xx" indicates a customer specific configuration file.

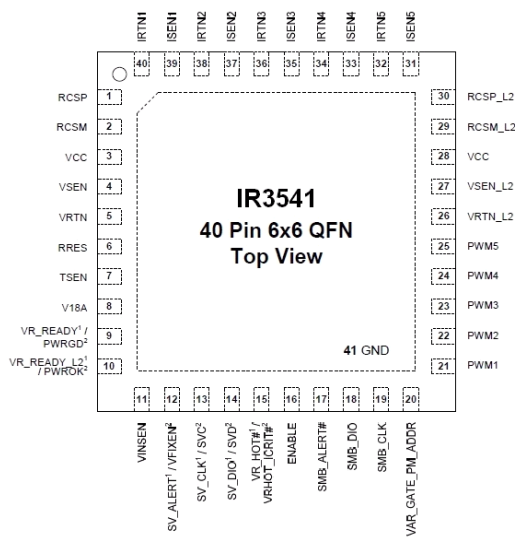


Figure 2: IR3541 Package Top View, Enlarged

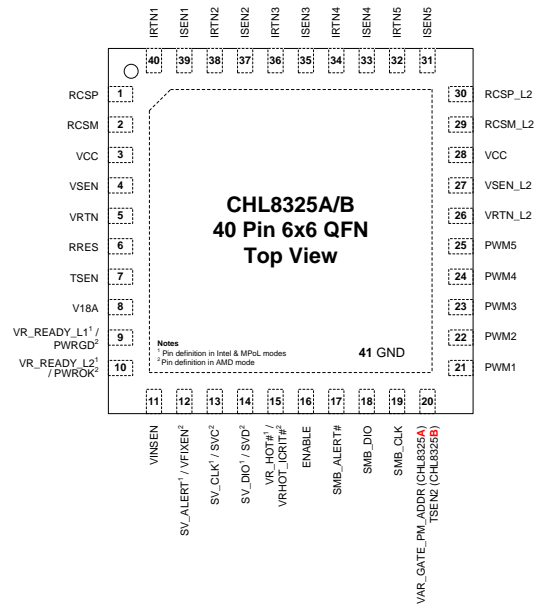


Figure 3: CHL8325A/B Package Top View, Enlarged

**FUNCTIONAL BLOCK DIAGRAM**

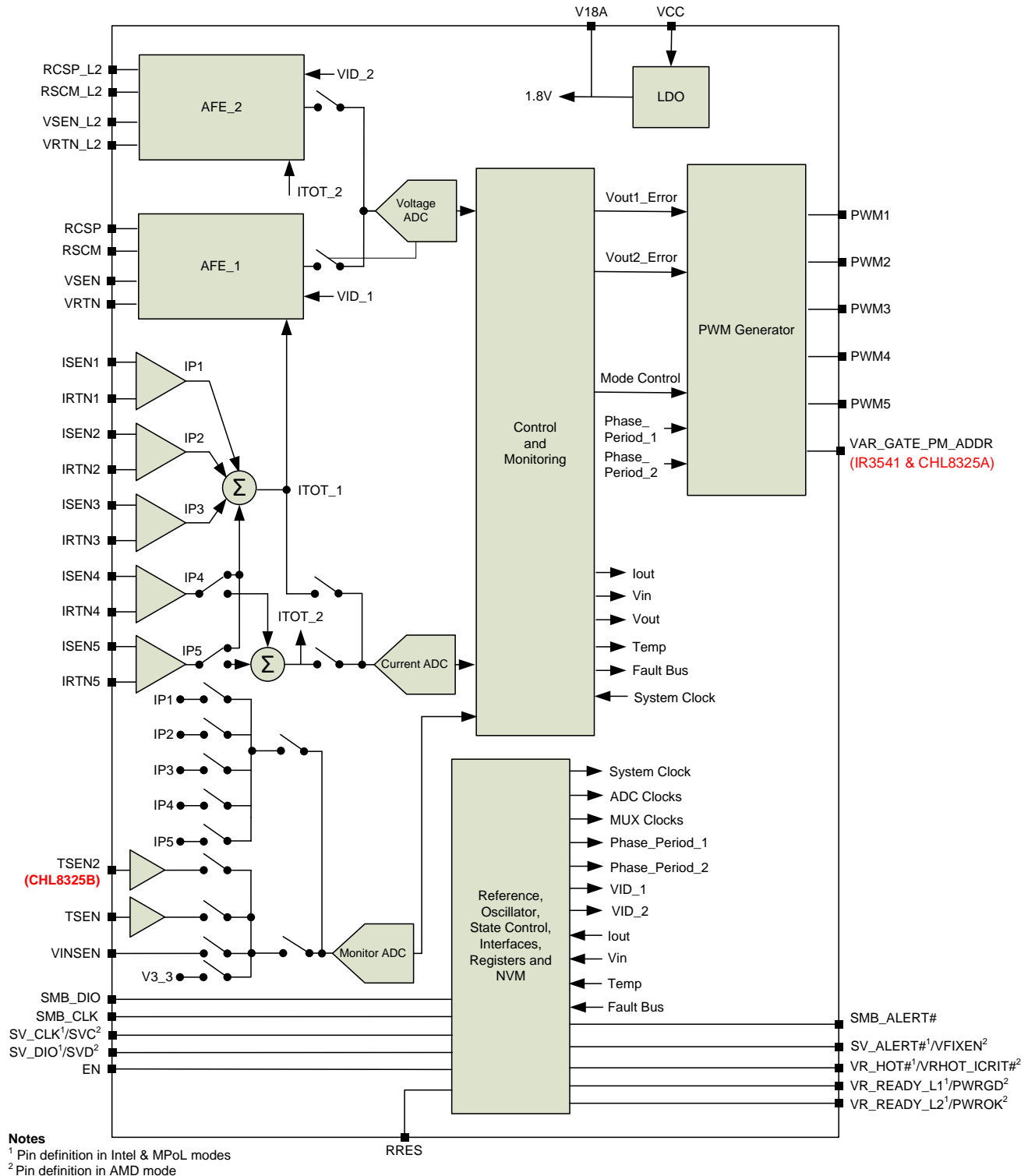


Figure 4: IR3541 and CHL8325A/B Functional Block Diagram

# Mouser Electronics

Authorized Distributor

Click to View Pricing, Inventory, Delivery & Lifecycle Information:

[Infineon:](#)

[IR3541MTRPBF](#) [CHL8325A-00CRT](#) [CHL8325B-00CRT](#)