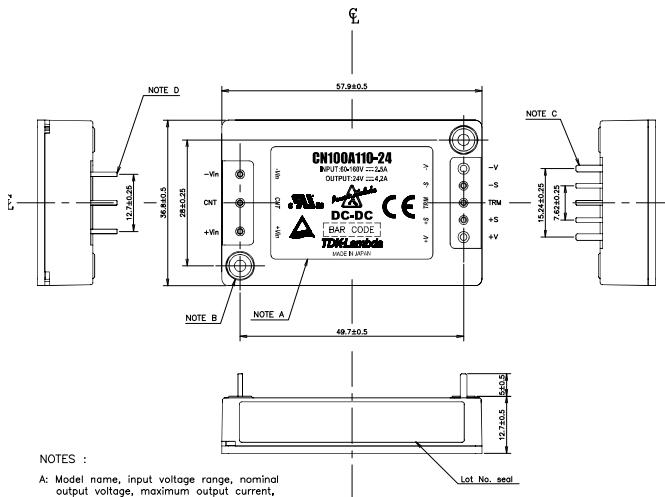


## Model Selector

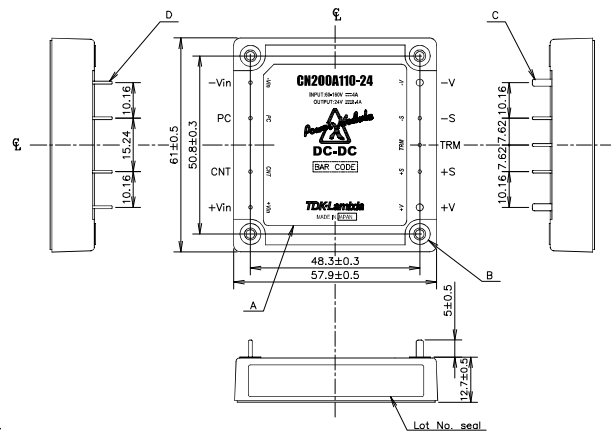
Model	Voltage (V)	Output Current (A)	Maximum Power (W)	Input Current (A)	Efficiency (%) (100% load, 110VDC In)
CN30A110-5	5	6	30	0.34	83
CN50A110-5	5	10	50	0.55	84
CN100A110-5	5	20	100	1.08	85
CN200A110-5	5	40	200	2.16	85
CN30A110-12	12	2.5	30	0.34	84
CN50A110-12	12	4.2	50.4	0.55	86
CN100A110-12	12	8.4	100.8	1.05	88
CN200A110-12	12	16.7	200.4	2.09	88
CN30A110-15	15	2	30	0.34	84
CN50A110-15	15	3.4	51	0.55	86
CN100A110-15	15	6.7	100.5	1.05	88
CN200A110-15	15	13.4	201	2.1	88
CN30A110-24	24	1.3	31.2	0.34	84
CN50A110-24	24	2.1	50.4	0.55	86
CN100A110-24	24	4.2	100.8	1.05	88
CN200A110-24	24	8.4	201.6	2.11	88

## Outline Drawing CN30A to CN100A



- NOTES :
- A: Model name, input voltage range, nominal output voltage, maximum output current, country of manufacture and safety marking (C-UL-US, TÜV & CE marking) are shown here in accordance with the specifications.
  - B: M3 tapped holes 2 for customer chassis mounting (FG).
  - C: Output terminals : 2-#1.5
  - D: Input and signal terminals : 6-#1

## Outline Drawing CN200A



- NOTES :
- A: Model name, input voltage range, nominal output voltage, maximum output current, country of manufacture are shown here in accordance with the specifications.
  - B: M3 tapped holes 4 for customer chassis mounting (FG).
  - C: Output terminals : 2-#2.0
  - D: Input and signal terminals : 7-#1
  - E: Unless otherwise specified dimensional tolerance : ±0.25

## Option

### Suffix Description

/CO Pcb coating for EN50155 & IEC60571 compliance  
 Example CN50A110-5/CO

## Heat Sink Accessories

### Model Description

HAQ-10T CN30A to 100A 25mm transverse fins  
 HAH-10T CN200A 25mm transverse fins  
 HAH-15T CN200A 38mm transverse fins  
 HAH-15L CN200A 38mm longitudinal fins

For Additional Information, please visit  
<https://product.tdk.com/en/power/>



# Mouser Electronics

Authorized Distributor

Click to View Pricing, Inventory, Delivery & Lifecycle Information:

## [TDK-Lambda:](#)

[CN100A110-12](#) [CN100A110-15](#) [CN100A110-24](#) [CN100A110-5](#) [CN200A110-12](#) [CN200A110-15](#) [CN200A110-24](#)  
[CN200A110-5](#) [CN30A110-12](#) [CN30A110-15](#) [CN30A110-24](#) [CN50A110-12](#) [CN50A110-5](#) [CN30A110-5](#) [CN50A110-24](#) [CN50A110-15](#)