

Small Signal Product

RATINGS AND CHARACTERISTICS CURVES

( $T_A=25^\circ\text{C}$  unless otherwise noted)

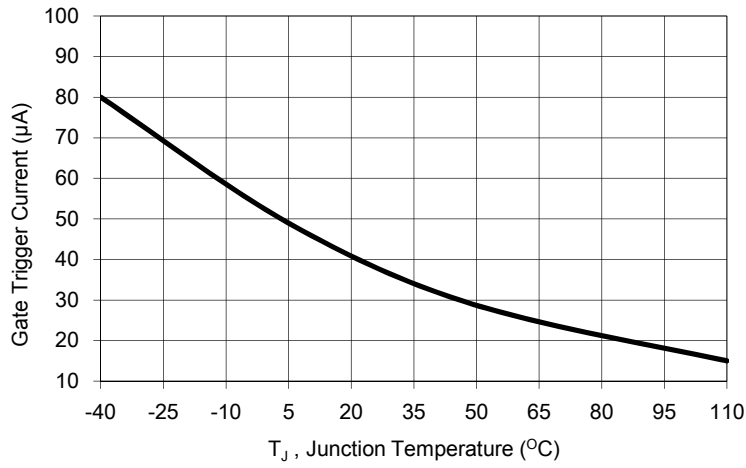


Fig. 1 Typical Gate Trigger Current VS. Junction Temperature

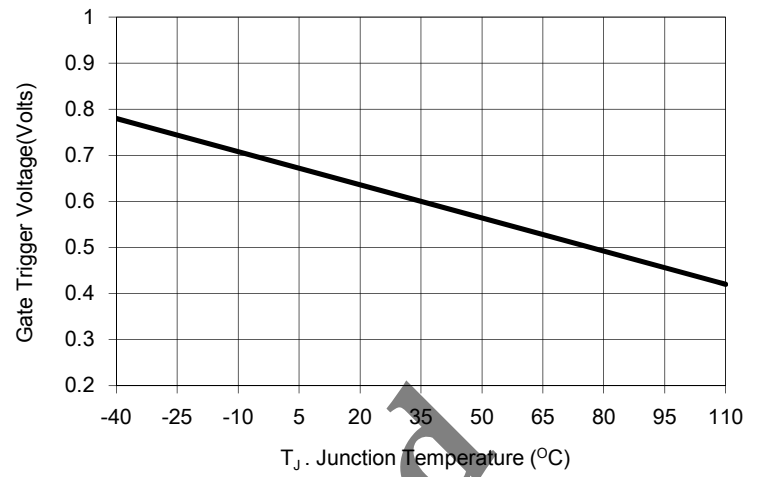


Fig. 2 Typical Gate Trigger Voltage VS. Junction Temperature

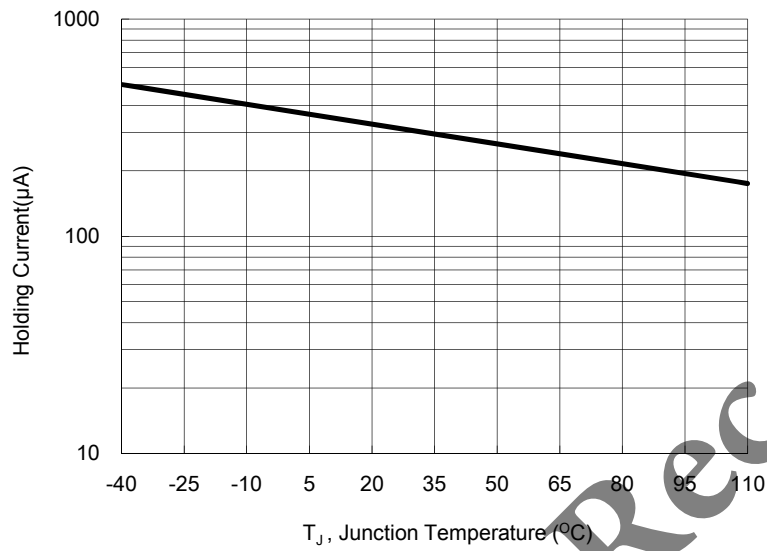


Fig. 3 Typical Holding Current VS. Junction Temperature

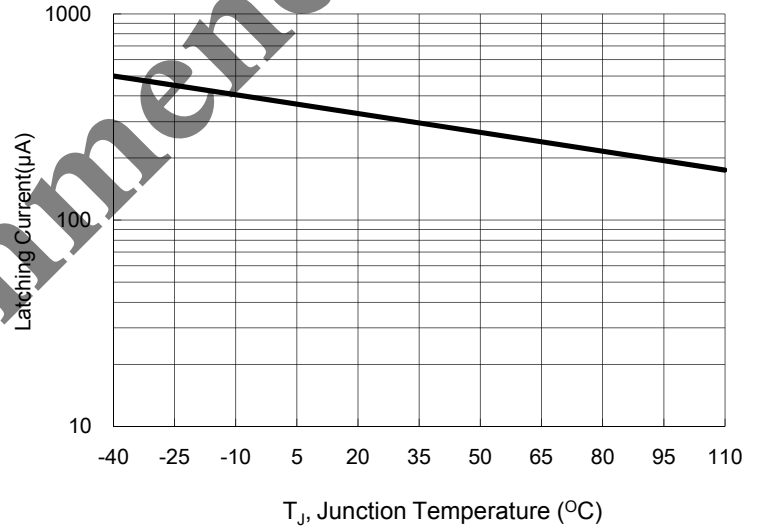


Fig. 4 Typical Latching Current VS. Junction Temperature

Fig. 5 Typical RMS Current Derating

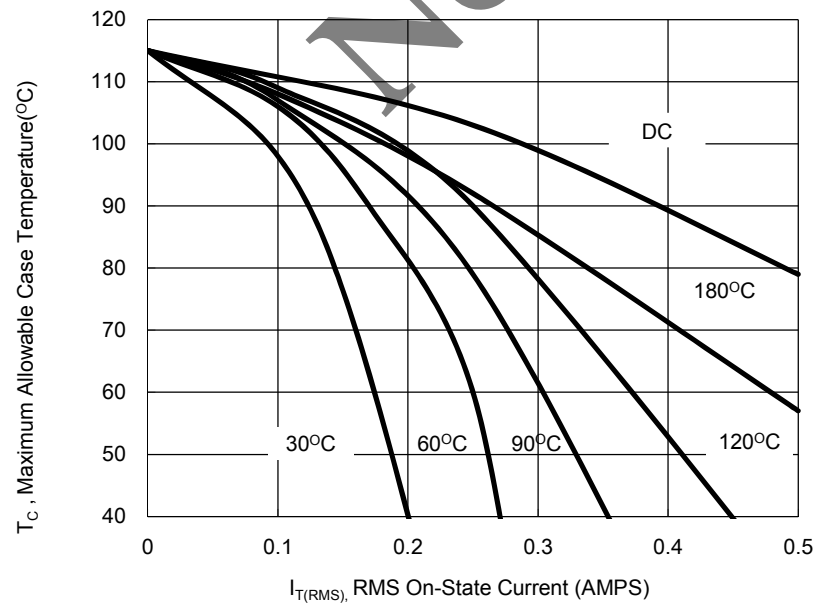
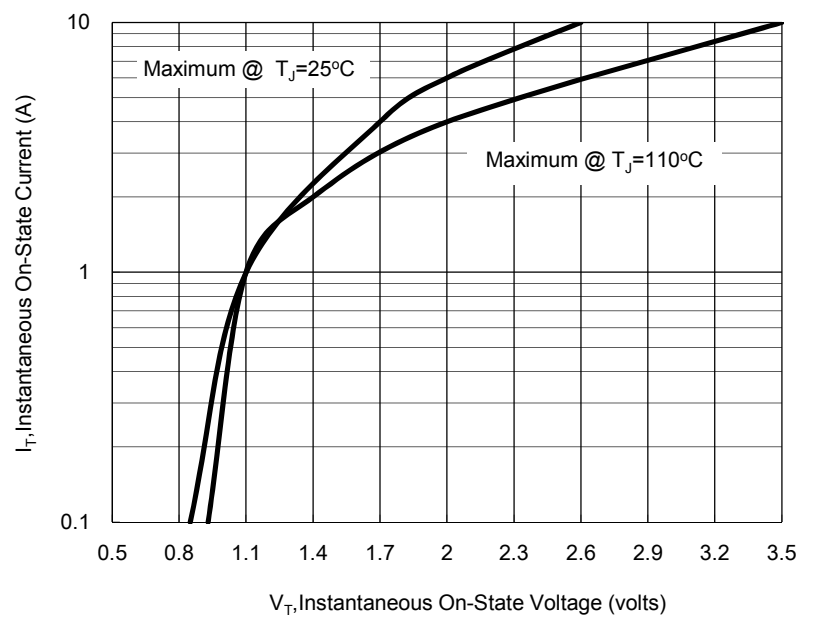


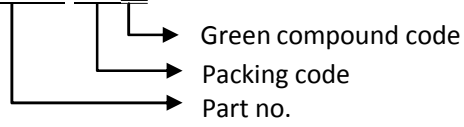
Fig. 6 Typical On-State Characteristics



Small Signal Product

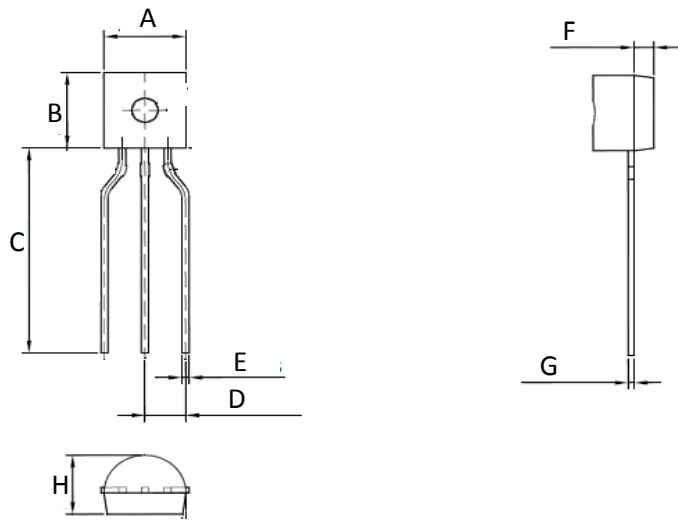
ORDER INFORMATION (EXAMPLE)

**MCR100-3 A1G**



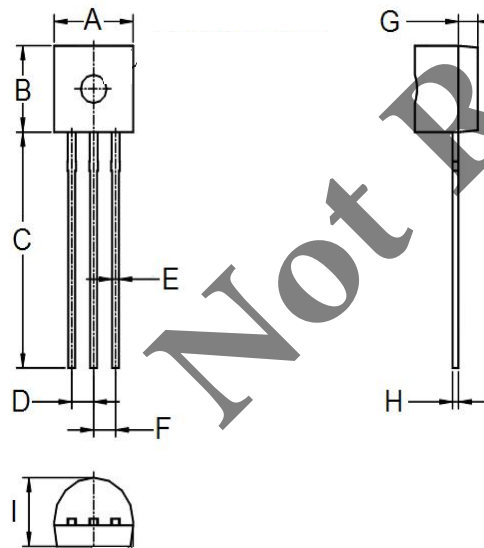
PACKAGE OUTLINE DIMENSIONS

**TO-92 (Ammo)**



DIM.	Unit (mm)		Unit (inch)	
	Min	Max	Min	Max
A	4.30	5.10	0.169	0.201
B	4.30	4.70	0.169	0.185
C	12.50	-	0.492	-
D	2.20	2.80	0.087	0.110
E	0.35	0.55	0.014	0.022
F	0.59	1.40	0.023	0.055
G	0.29	0.51	0.011	0.020
H	3.30	4.10	0.130	0.161

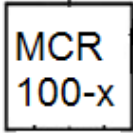
**TO-92 (Bulk)**



DIM.	Unit (mm)		Unit (inch)	
	Min	Max	Min	Max
A	4.30	5.10	0.169	0.201
B	4.30	4.70	0.169	0.185
C	12.50	14.50	0.492	0.571
D	1.17	1.37	0.046	0.054
E	0.35	0.55	0.014	0.022
F	1.17	1.37	0.046	0.054
G	0.59	1.40	0.023	0.055
H	0.29	0.51	0.011	0.020
I	3.30	4.10	0.130	0.161

Small Signal Product

MARKING DIAGRAM



x = Device P/N from 3~8

**Not Recommended**

Small Signal Product

**Not Recommended**

#### Notice

Specifications of the products displayed herein are subject to change without notice. TSC or anyone on its behalf, assumes no responsibility or liability for any errors or inaccuracies.

Information contained herein is intended to provide a product description only. No license, express or implied, to any intellectual property rights is granted by this document. Except as provided in TSC's terms and conditions of sale for such products, TSC assumes no liability whatsoever, and disclaims any express or implied warranty, relating to sale and/or use of TSC products including liability or warranties relating to fitness for a particular purpose, merchantability, or infringement of any patent, copyright, or other intellectual property right.

The products shown herein are not designed for use in medical, life-saving, or life-sustaining applications. Customers using or selling these products for use in such applications do so at their own risk and agree to fully indemnify TSC for any damages resulting from such improper use or sale.

# Mouser Electronics

Authorized Distributor

Click to View Pricing, Inventory, Delivery & Lifecycle Information:

[Taiwan Semiconductor:](#)

[MCR100-4 A1G](#) [MCR100-5 A1G](#) [MCR100-8 A1G](#) [MCR100-7 A1G](#) [MCR100-3 A1G](#) [MCR100-6 A1G](#) [MCR100-6](#)  
[B1G](#)