

Part Number Selection

| Part Number | | Secondary RMS Rating | |
|-----------------------|-------------------------|-----------------------|--------------------|
| Single 115 V 6 Pin | Dual 115/230 V 8 Pin | Series | Parallel |
| ST-2-10**# | DST-2-10**# | 10 VCT @ 0.11 A | 5 V @ 0.22 A |
| ST-3-10*# | DST-3-10*# | 10 VCT @ 0.25 A (5) | 5 V @ 0.5 A (9) |
| ST-4-10*# | DST-4-10*# | 10 VCT @ 0.6 A (9) | 5 V @ 1.2 A (11) |
| ST-5-10*# | DST-5-10*# | 10 VCT @ 1.2 A (11) | 5 V @ 2.4 A (13) |
| ST-6-10 | DST-6-10 | 10 VCT @ 2.0 A | 5 V @ 4.0 A |
| ST-7-10 | DST-7-10 | 10 VCT @ 3.6 A | 5 V @ 7.2 A |
| ST-2-12**# | DST-2-12**# | 12.6 VCT @ 0.09 A | 6.3 V @ 0.18 A |
| ST-3-12*# | DST-3-12*# | 12.6 VCT @ 0.2 A (4) | 6.3 V @ 0.4 A (8) |
| ST-4-12*# | DST-4-12*# | 12.6 VCT @ 0.5 A (9) | 6.3 V @ 1.0 A (11) |
| ST-5-12*# | DST-5-12*# | 12.6 VCT @ 1.0 A (11) | 6.3 V @ 2.0 A (13) |
| ST-6-12 | DST-6-12 | 12.6 VCT @ 1.6 A | 6.3 V @ 3.2 A |
| ST-7-12 | DST-7-12 | 12.6 VCT @ 2.85 A | 6.3 V @ 5.7 A |
| ST-2-16**# | DST-2-16**# | 16 VCT @ 0.07 A | 8 V @ 0.14 A |
| ST-3-16*# | DST-3-16*# | 16 VCT @ 0.15 A (3) | 8 V @ 0.3 A (6) |
| ST-4-16*# | DST-4-16*# | 16 VCT @ 0.4 A (7) | 8 V @ 0.8 A (10) |
| ST-5-16*# | DST-5-16*# | 16 VCT @ 0.8 A (10) | 8 V @ 1.6 A (12) |
| ST-6-16 | DST-6-16 | 16 VCT @ 1.25 A | 8 V @ 2.5 A |
| ST-7-16 | DST-7-16 | 16 VCT @ 2.25 A | 8 V @ 4.5 A |
| ST-2-20**# | DST-2-20**# | 20 VCT @ 0.055 A | 10 V @ 0.11 A |
| ST-3-20*# | DST-3-20*# | 20 VCT @ 0.12 A (2) | 10 V @ 0.24 A (5) |
| ST-4-20*# | DST-4-20*# | 20 VCT @ 0.3 A (6) | 10 V @ 0.6 A (9) |
| ST-5-20*# | DST-5-20*# | 20 VCT @ 0.6 A (9) | 10 V @ 1.2 A (11) |
| ST-6-20 | DST-6-20 | 20 VCT @ 1.0 A | 10 V @ 2.0 A |
| ST-7-20 | DST-7-20 | 20 VCT @ 1.8 A | 10 V @ 3.6 A |
| ST-2-24**# | DST-2-24**# | 24 VCT @ 0.045 A | 12 V @ 0.09 A |
| ST-3-24*# | DST-3-24*# | 24 VCT @ 0.1 A (1) | 12 V @ 0.2 A (4) |
| ST-4-24*# | DST-4-24*# | 24 VCT @ 0.25 A (5) | 12 V @ 0.5 A (9) |
| ST-5-24*# | DST-5-24*# | 24 VCT @ 0.5 A (9) | 12 V @ 1.0 A (11) |
| ST-6-24 | DST-6-24 | 24 VCT @ 0.8 A | 12 V @ 1.6 A |
| ST-7-24 | DST-7-24 | 24 VCT @ 1.5 A | 12 V @ 3.0 A |

| Part Number | | Secondary RMS Rating | |
|-----------------------|-------------------------|----------------------|----------------|
| Single 115 V 6 Pin | Dual 115/230 V 8 Pin | Series | Parallel |
| ST-2-28 | DST-2-28 | 28 VCT @ 0.04 A | 14 V @ 0.08 A |
| ST-3-28 | DST-3-28 | 28 VCT @ 0.085 A | 14 V @ 0.17 A |
| ST-4-28 | DST-4-28 | 28 VCT @ 0.2 A | 14 V @ 0.4 A |
| ST-5-28 | DST-5-28 | 28 VCT @ 0.42 A | 14 V @ 0.84 A |
| ST-6-28 | DST-6-28 | 28 VCT @ 0.7 A | 14 V @ 1.4 A |
| ST-7-28 | DST-7-28 | 28 VCT @ 1.3 A | 14 V @ 2.6 A |
| ST-2-36 | DST-2-36 | 36 VCT @ 0.03 A | 18 V @ 0.06 A |
| ST-3-36 | DST-3-36 | 36 VCT @ 0.065 A | 18 V @ 0.13 A |
| ST-4-36 | DST-4-36 | 36 VCT @ 0.17 A | 18 V @ 0.34 A |
| ST-5-36 | DST-5-36 | 36 VCT @ 0.35 A | 18 V @ 0.7 A |
| ST-6-36 | DST-6-36 | 36 VCT @ 0.55 A | 18 V @ 1.1 A |
| ST-7-36 | DST-7-36 | 36 VCT @ 1.0 A | 18 V @ 2.0 A |
| ST-2-48 | DST-2-48 | 48 VCT @ 0.023 A | 24 V @ 0.046 A |
| ST-3-48 | DST-3-48 | 48 VCT @ 0.05 A | 24 V @ 0.1 A |
| ST-4-48 | DST-4-48 | 48 VCT @ 0.125 A | 24 V @ 0.25 A |
| ST-5-48 | DST-5-48 | 48 VCT @ 0.25 A | 24 V @ 0.5 A |
| ST-6-48 | DST-6-48 | 48 VCT @ 0.4 A | 24 V @ 0.8 A |
| ST-7-48 | DST-7-48 | 48 VCT @ 0.75 A | 24 V @ 1.5 A |
| ST-2-56 | DST-2-56 | 56 VCT @ 0.02 A | 28 V @ 0.04 A |
| ST-3-56 | DST-3-56 | 56 VCT @ 0.045 A | 28 V @ 0.09 A |
| ST-4-56 | DST-4-56 | 56 VCT @ 0.11 A | 28 V @ 0.22 A |
| ST-5-56 | DST-5-56 | 56 VCT @ 0.22 A | 28 V @ 0.44 A |
| ST-6-56 | DST-6-56 | 56 VCT @ 0.35 A | 28 V @ 0.7 A |
| ST-7-56 | DST-7-56 | 56 VCT @ 0.65 A | 28 V @ 1.3 A |
| ST-2-120 | DST-2-120 | 120 VCT @ 0.01 A | 60 V @ 0.02 A |
| ST-3-120 | DST-3-120 | 120 VCT @ 0.02 A | 60 V @ 0.04 A |
| ST-4-120 | DST-4-120 | 120 VCT @ 0.05 A | 60 V @ 0.1 A |
| ST-5-120 | DST-5-120 | 120 VCT @ 0.1 A | 60 V @ 0.2 A |
| ST-6-120 | DST-6-120 | 120 VCT @ 0.16 A | 60 V @ 0.32 A |
| ST-7-120 | DST-7-120 | 120 VCT @ 0.3 A | 60 V @ 0.6 A |

Recommended secondary fuse value specified as below:

| (1) | (2) | (3) | (4) | (5) | (6) | (7) | (8) | (9) | (10) | (11) | (12) | (13) |
|---------|--------|--------|-------|---------|-------|-------|-------|--------|-------|-------|-------|-------|
| 0.125 A | 0.15 A | 0.25 A | 0.3 A | 0.375 A | 0.4 A | 0.5 A | 0.6 A | 0.75 A | 1.0 A | 1.5 A | 2.0 A | 3.0 A |

See Accessories datasheet for mounting screw information.



Custom versions available upon request.



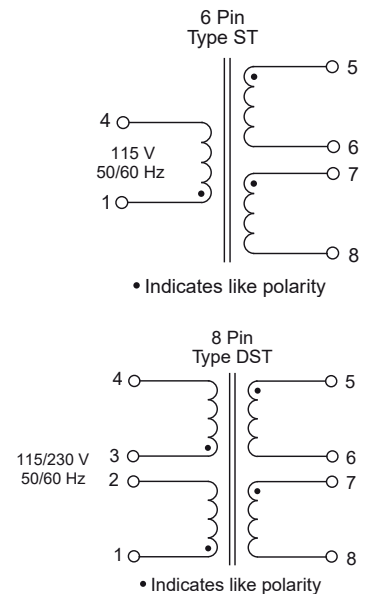
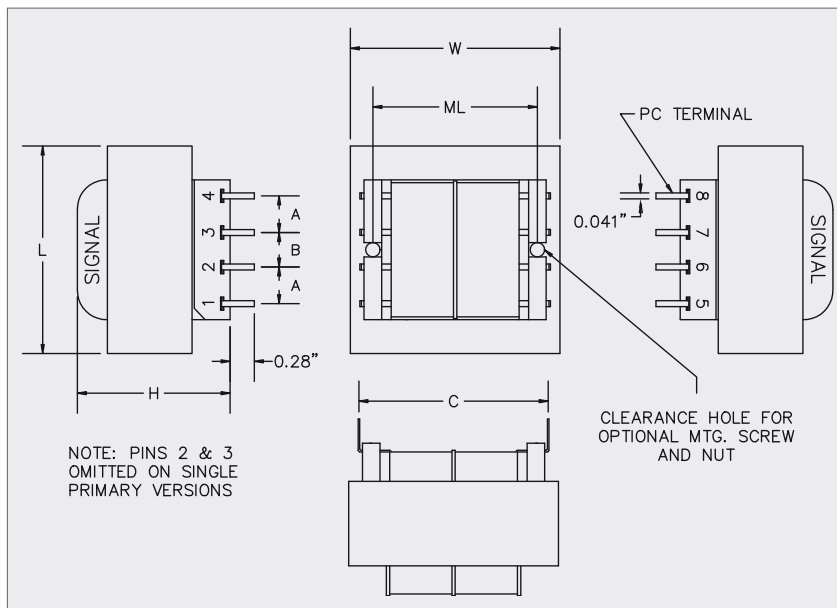
128 Atlantic Avenue, Lynbrook, NY 11563
 Toll Free 866-239-5777 | Tel 516-239-5777 | Fax 516-239-7208
 sales@signaltransformer.com | techhelp@signaltransformer.com

belfuse.com/signal

Mechanical Specifications

| Size | VA | L | W | H | ML | A | B | C | Optional Mounting Screw & Nut • | Weight |
|------|-----|----------------|----------------|----------------|----------------|-------------|-------------|----------------|------------------------------------|-------------|
| | | Inches (mm) | | | | | | | | lbs (kg) |
| 2 | 1.1 | 1.37 (34.9) | 1.12 (28.6) | 0.97 (24.6) | - | 0.25 (6.4) | 0.25 (6.4) | 1.20 (30.5) | - | 0.17 (0.08) |
| 3 | 2.4 | 1.37 (34.9) | 1.12 (28.6) | 1.21 (30.8) | - | 0.25 (6.4) | 0.25 (6.4) | 1.20 (30.5) | - | 0.25 (0.11) |
| 4 | 6 | 1.62 (41.3) | 1.31 (33.3) | 1.31 (33.3) | 1.06 (26.9) | 0.25 (6.4) | 0.35 (8.9) | 1.25 (31.8) | Nylon 4-40 x 1.37 (4-40 x 34.9) | 0.44 (0.20) |
| 5 | 12 | 1.91 (48.4) | 1.59 (40.4) | 1.45 (36.9) | 1.25 (31.8) | 0.30 (7.6) | 0.40 (10.2) | 1.41 (35.8) | Nylon 4-40 x 1.37 (4-40 x 34.9) | 0.70 (0.32) |
| 6 | 20 | 2.25 (57.2) | 1.88 (47.8) | 1.45 (36.9) | 1.50 (38.1) | 0.30 (7.6) | 0.40 (10.2) | 1.60 (40.6) | Nylon 4-40 x 1.37 (4-40 x 34.9) | 0.80 (0.36) |
| 7 | 36 | 2.62 (66.7) | 2.18 (55.5) | 1.59 (40.4) | •• | 0.40 (10.2) | 0.40 (10.2) | 1.85 (47.0) | •• | 1.1 (0.50) |

- Available from Signal, part numbers ST-MS (screw) and ST-MN (nut).
- Size 7 has 4 mounting holes on 2.18 x 1.75 centers for #6 screws.



Custom versions available upon request.



128 Atlantic Avenue, Lynbrook, NY 11563
Toll Free 866-239-5777 | Tel 516-239-5777 | Fax 516-239-7208
sales@signaltransformer.com | techhelp@signaltransformer.com

belfuse.com/signal

Mouser Electronics

Authorized Distributor

Click to View Pricing, Inventory, Delivery & Lifecycle Information:

[Bel:](#)

[DST-3-20](#) [DST-4-36](#) [ST-3-16](#) [ST-2-28](#) [ST-4-28](#) [ST-3-28](#) [ST-3-56](#) [ST-6-28](#) [ST-2-120](#) [ST-2-36](#) [DST-6-36](#) [DST-7-120](#) [ST-4-48](#) [ST-2-16](#) [ST-4-120](#) [ST-6-56](#) [DST-4-24](#) [DST-6-16](#) [DST-7-12](#) [DST-7-28](#) [DST-7-48](#) [DST-6-28](#) [DST-5-16](#) [ST-4-12](#) [ST-6-16](#) [DST-2-56](#) [DST-3-48](#) [DST-4-120](#) [ST-6-12](#) [ST-7-10](#) [ST-5-56](#) [ST-6-10](#) [ST-7-28](#) [DST-4-20](#) [ST-5-36](#) [ST-3-12](#) [ST-3-48](#) [ST-3-10](#) [ST-4-56](#) [ST-5-28](#) [DST-4-48](#) [DST-6-48](#) [ST-5-16](#) [ST-2-10](#) [ST-2-12](#) [ST-5-12](#) [DST-2-120](#) [DST-2-28](#) [DST-5-12](#) [DST-3-56](#) [DST-5-48](#) [DST-6-120](#) [DST-2-16](#) [DST-6-20](#) [DST-7-36](#) [DST-2-10](#) [DST-2-20](#) [DST-5-36](#) [ST-5-48](#) [ST-7-20](#) [ST-2-48](#) [ST-6-24](#) [DST-3-10](#) [DST-4-12](#) [ST-5-24](#) [ST-7-36](#) [ST-5-10](#) [ST-6-36](#) [ST-7-48](#) [ST-2-20](#) [ST-7-120](#) [ST-5-120](#) [ST-6-48](#) [ST-7-12](#) [ST-7-16](#) [ST-4-36](#) [DST-3-24](#) [DST-3-36](#) [DST-7-56](#) [DST-4-10](#) [ST-5-20](#) [ST-2-56](#) [DST-3-28](#) [DST-6-12](#) [DST-7-20](#) [DST-5-56](#) [DST-7-16](#) [DST-7-24](#) [DST-5-10](#) [DST-3-120](#) [DST-6-10](#) [DST-6-24](#) [DST-3-12](#) [DST-2-48](#) [DST-7-10](#) [DST-2-12](#) [DST-2-36](#) [DST-5-24](#) [DST-2-24](#) [DST-4-56](#)