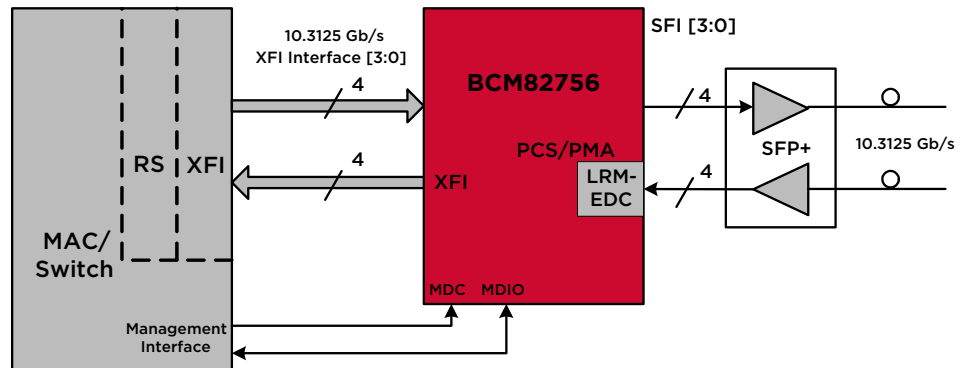


### Key Features (con't)

- MDC/MDIO interface-compliant to IEEE 802.3ae Clause 45
- Support for advanced diagnostics on SFP+ interface, including eye-mapping, SNR, and BER
- Core supply: 1.0V and I/O: 2.5V or 3.3V
- Footprint compatible with the BCM84756
- 17-mm × 17-mm BGA package, 1-mm ball pitch

Figure 1: BCM82756 Block Diagram



### Ordering Information

Commercial rated, 17 mm × 17 mm, 1-mm pitch, 256-ball BGA, Pb-free package	BCM82756AKFSBG
Industrial rated, 17 mm × 17 mm, 1-mm pitch, 256-ball BGA, Pb-free package	BCM82756AIFSBG

# Mouser Electronics

Authorized Distributor

Click to View Pricing, Inventory, Delivery & Lifecycle Information:

[Broadcom Limited:](#)

[BCM82756AIFSBG](#)