

RATING AND CHARACTERISTICS CURVES (MD1S THRU MD7S)

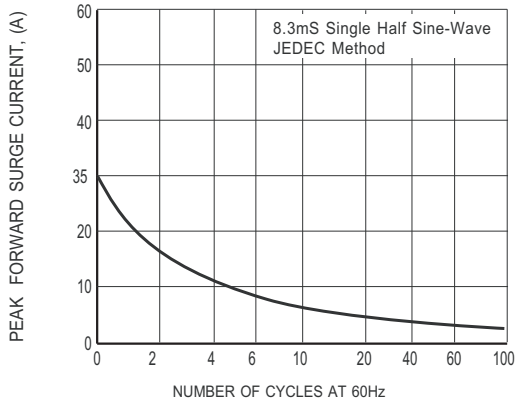


FIG. 1 - MAXIMUM NON-REPETITIVE FORWARD SURGE CURRENT

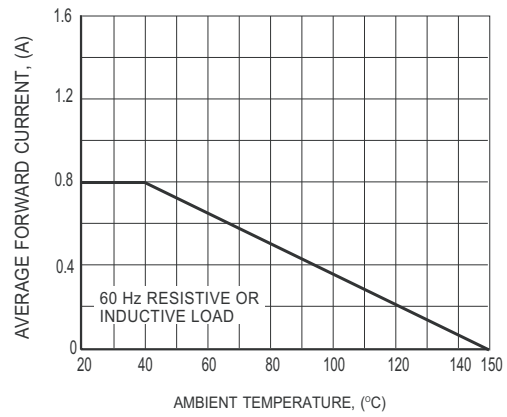
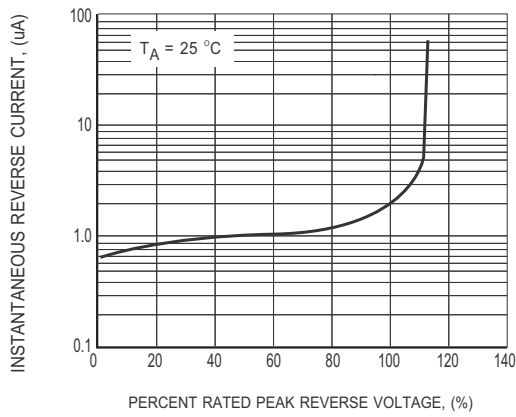
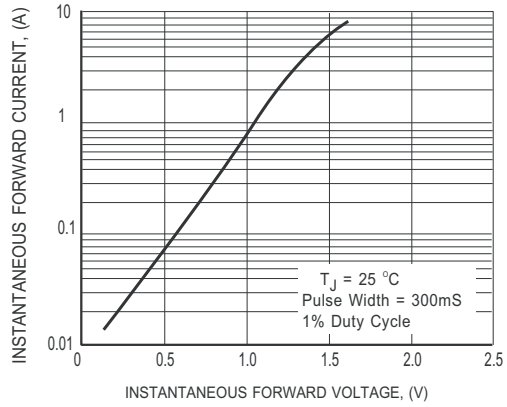
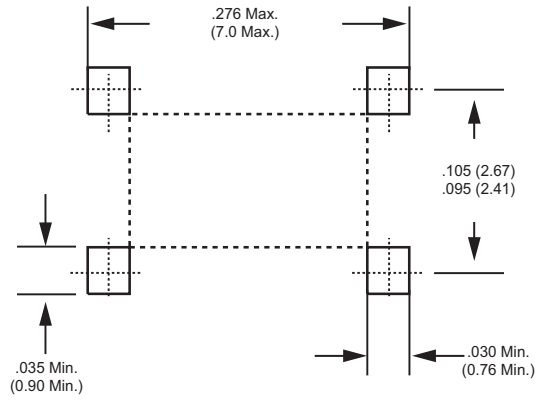


FIG.4 TYPICAL FORWARD CURRENT

Mounting Pad Layout



Dimensions in inches and (millimeters)

REEL TAPING SPECIFICATIONS FOR SURFACE MOUNT DEVICES - MINI DIP

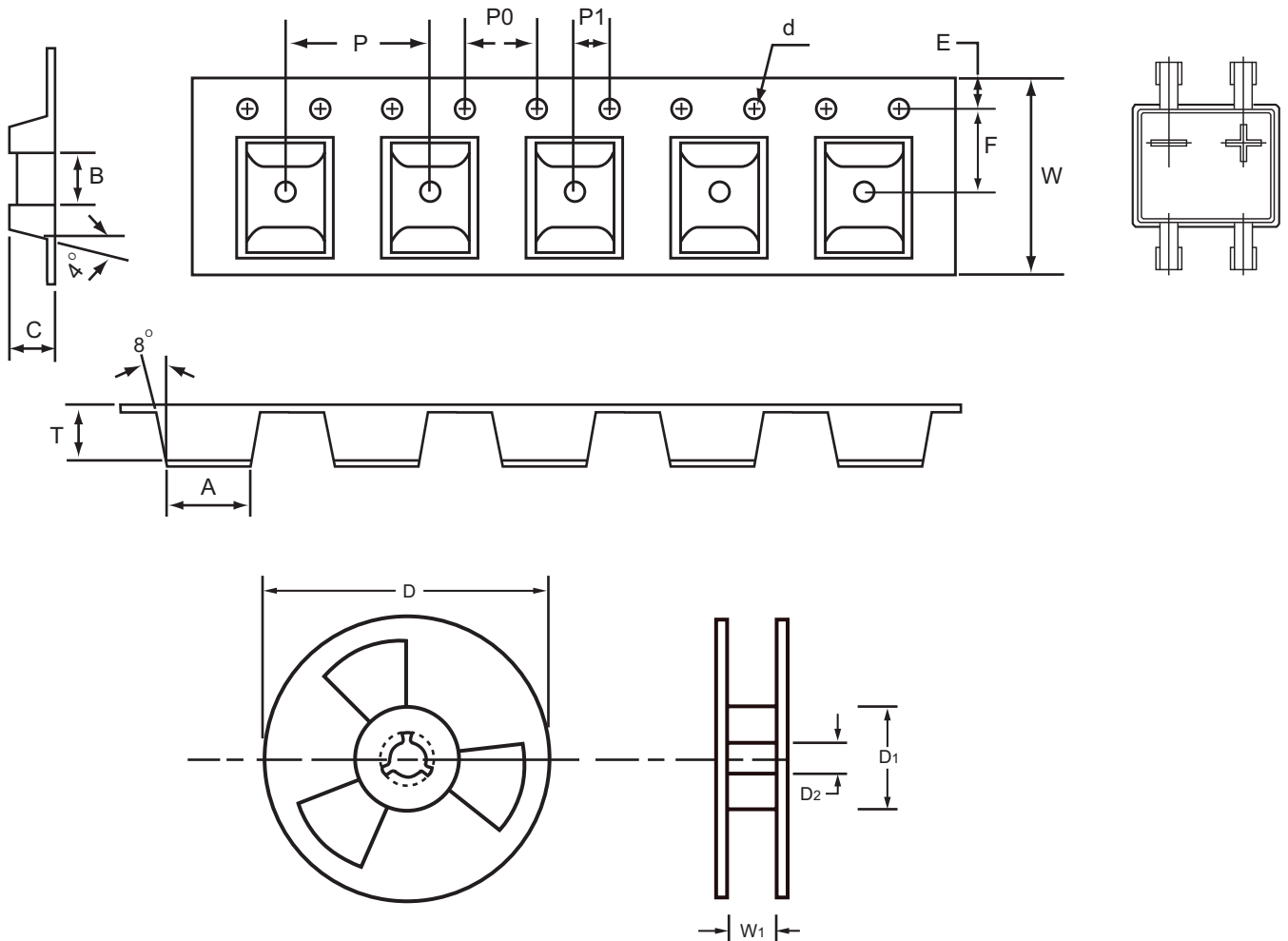


Fig.: Configuration of MINI DIP REEL TAPING

| ITEM | SYMBOL | SPECIFICATIONS (mm) | SPECIFICATIONS (inch) |
|------------------------|--------|---------------------|-----------------------|
| Carrier width | A | 5.0 ± 0.1 | 0.197 ± 0.004 |
| Carrier length | B | 3.2 ± 0.1 | 0.126 ± 0.004 |
| Carrier depth | C | 2.9 ± 0.1 | 0.114 ± 0.004 |
| Sprocket hole | d | 1.5 ± 0.1/-0 | 0.059 ± 0.004 |
| Reel outside diameter | D | 178 ± 2.0 | 7.008 ± 0.079 |
| Reel inner diameter | D1 | 8.0 ± 0.2 | 0.315 ± 0.008 |
| Feed hole diameter | D2 | 13 ± 0.5 | 0.512 ± 0.020 |
| Sprocket hole position | E | 1.75 ± 0.1 | 0.069 ± 0.004 |
| Punch hole position | F | 5.5 ± 0.5 | 0.217 ± 0.020 |
| Punch hole pitch | P | 8.0 ± 0.1 | 0.315 ± 0.004 |
| Sprocket hole pitch | P0 | 4.0 ± 0.1 | 0.157 ± 0.004 |
| Embossment center | P1 | 2.0 ± 0.05 | 0.079 ± 0.002 |
| Overall tape thickness | T | 2.65 ± 0.1 | 0.104 ± 0.004 |
| Tape width | W | 12.0 + 0.3/-0.1 | 0.472 + 0.012/-0.004 |
| Reel width | W1 | 16.8 ± 2.0 | 0.661 ± 0.079 |

Notes : 1.Devices are packed in accordance with EIA stand RS-481-D and specifications listed above.
2.Available on 7 inch (500 c.t.) or 13 inch (3000 c.t.) diameter reels.

PACKAGING OF DIODE AND BRIDGE RECTIFIERS

REEL PACK

| PACKAGE | PACKING CODE | EA PER REEL | COMPONENT SPACE(mm) | TAPE SPACE (mm) | REEL DIA (mm) | CARTON SIZE (mm) | EA PER CARTON | GROSS WEIGHT(Kg) |
|---------|--------------|-------------|---------------------|-----------------|---------------|------------------|---------------|------------------|
| MD | -T | 500 | --- | --- | 178 | 390*205*310 | 16,000 | --- |
| MD | -W | 3,000 | --- | --- | 330 | 355*360*350 | 48,000 | 15.50 |

DISCLAIMER NOTICE

Rectron Inc reserves the right to make changes without notice to any product specification herein, to make corrections, modifications, enhancements or other changes. Rectron Inc or anyone on its behalf assumes no responsibility or liability for any errors or inaccuracies. Data sheet specifications and its information contained are intended to provide a product description only. "Typical" parameters which may be included on RECTRON data sheets and/ or specifications can and do vary in different applications and actual performance may vary over time. Rectron Inc does not assume any liability arising out of the application or use of any product or circuit.

Rectron products are not designed, intended or authorized for use in medical, life-saving implant or other applications intended for life-sustaining or other related applications where a failure or malfunction of component or circuitry may directly or indirectly cause injury or threaten a life without expressed written approval of Rectron Inc. Customers using or selling Rectron components for use in such applications do so at their own risk and shall agree to fully indemnify Rectron Inc and its subsidiaries harmless against all claims, damages and expenditures.

Mouser Electronics

Authorized Distributor

Click to View Pricing, Inventory, Delivery & Lifecycle Information:

[Rectron:](#)

[MD6S-W](#) [MD1S-W](#) [MD3S-W](#) [MD5S-W](#) [MD7S-W](#) [MD2S-W](#) [MD4S-W](#) [MD1S](#) [MD2S](#) [MD3S](#) [MD4S](#) [MD5S](#) [MD6S](#)
[MD7S](#)