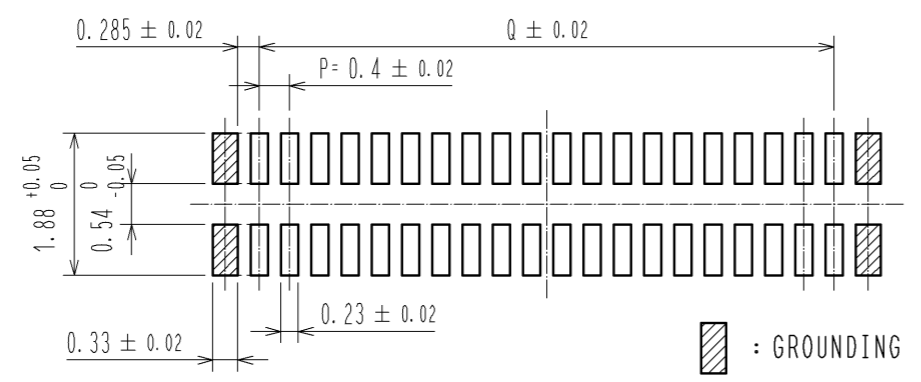
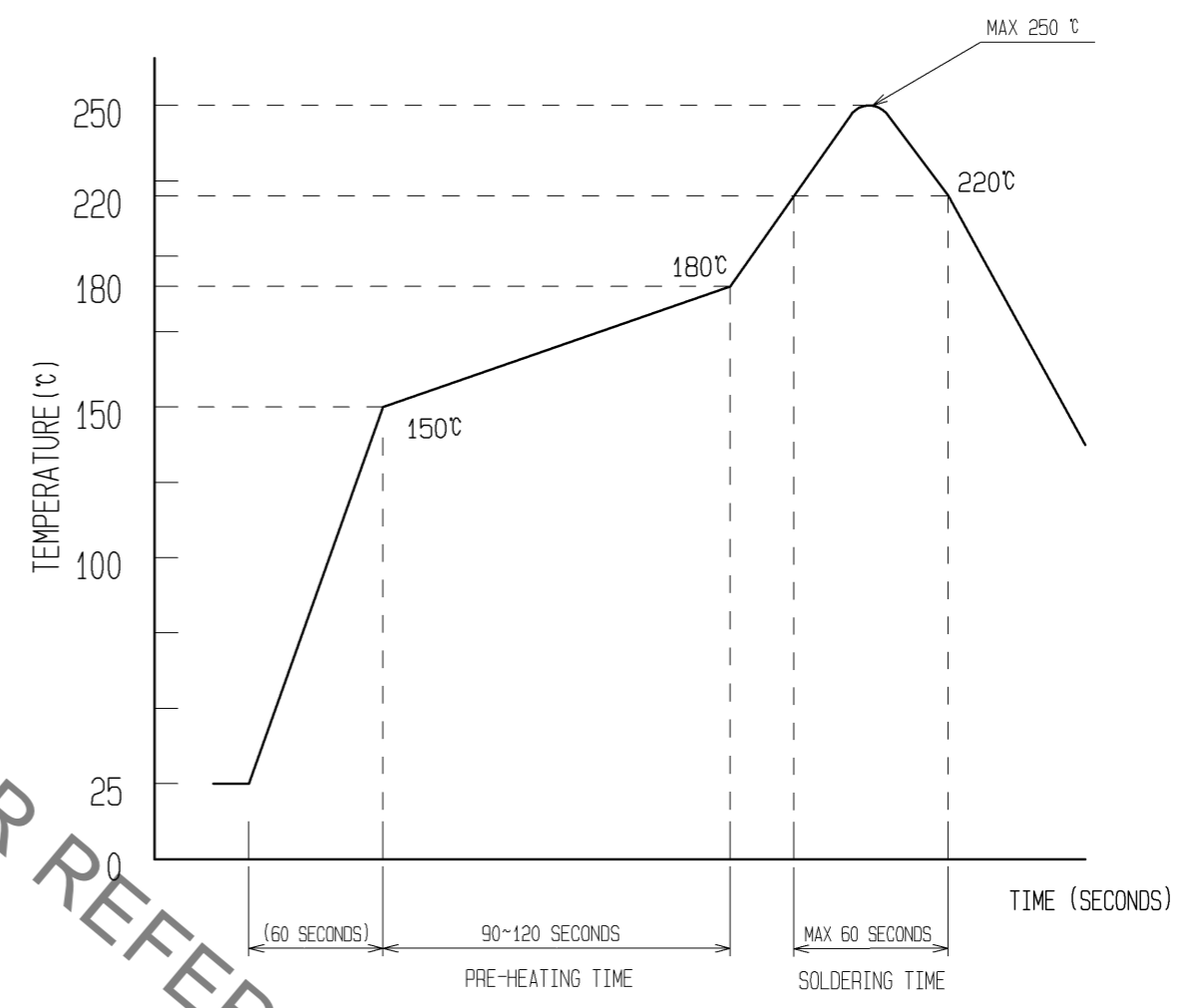


Jan.1.2022 Copyright 2022 HIROSE ELECTRIC CO., LTD. All Rights Reserved.
In case of consideration for using Automotive equipment / device which demand high reliability, kindly contact our sales window correspondents.

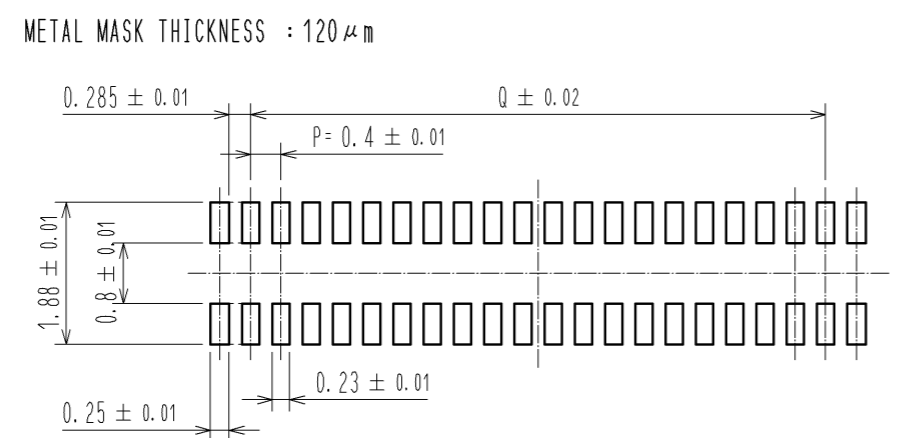
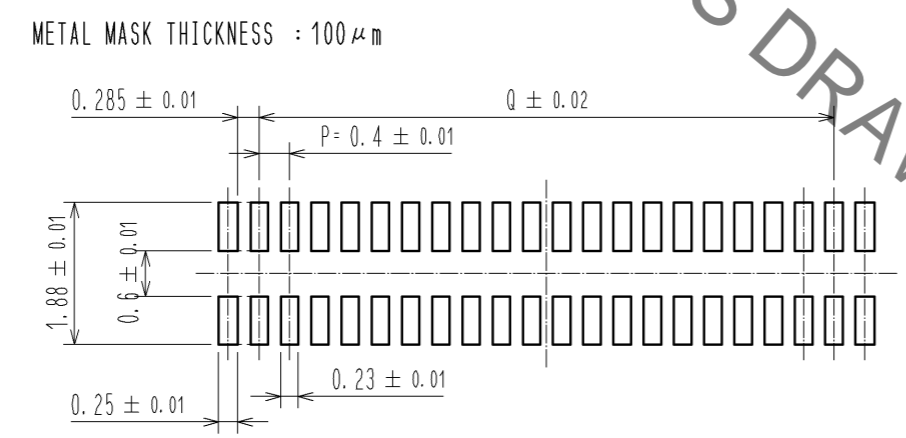
◆ RECOMMENDED PCB LAYOUT



⑥ RECOMMENDED REFLOW TEMPERATURE PROFILE USING LEAD-FREE SOLDER PASTE.



◆ RECOMMENDED METAL MASK DIMENSIONS



PART No.	Q
BM14B(0.8)-10DP-0.4V(51)	1.6
BM14B(0.8)-12DP-0.4V(51)	2.0
BM14B(0.8)-20DP-0.4V(51)	3.6
BM14B(0.8)-22DP-0.4V(51)	4.0
BM14B(0.8)-24DP-0.4V(51)	4.4
BM14B(0.8)-30DP-0.4V(51)	5.6
BM14B(0.8)-34DP-0.4V(51)	6.4
BM14B(0.8)-40DP-0.4V(51)	7.6
BM14B(0.8)-50DP-0.4V(51)	9.6
BM14B(0.8)-60DP-0.4V(51)	11.6

REFLOW METHOD: IR REFLOW
 NUMBER OF REFLOW CYCLES: 2 CYCLES MAX.
 1) REFLOW TIME
 DURATION ABOVE 220°C, 60 SEC. MAX.
 (PEAK TEMPERATURE: 250°C MAX)
 2) PRE-HEAT TIME
 PRE-HEAT TEMPERATURE(MIN): 150°C
 PRE-HEAT TEMPERATURE(MAX): 180°C
 PRE-HEAT TIME: 90-120 sec.

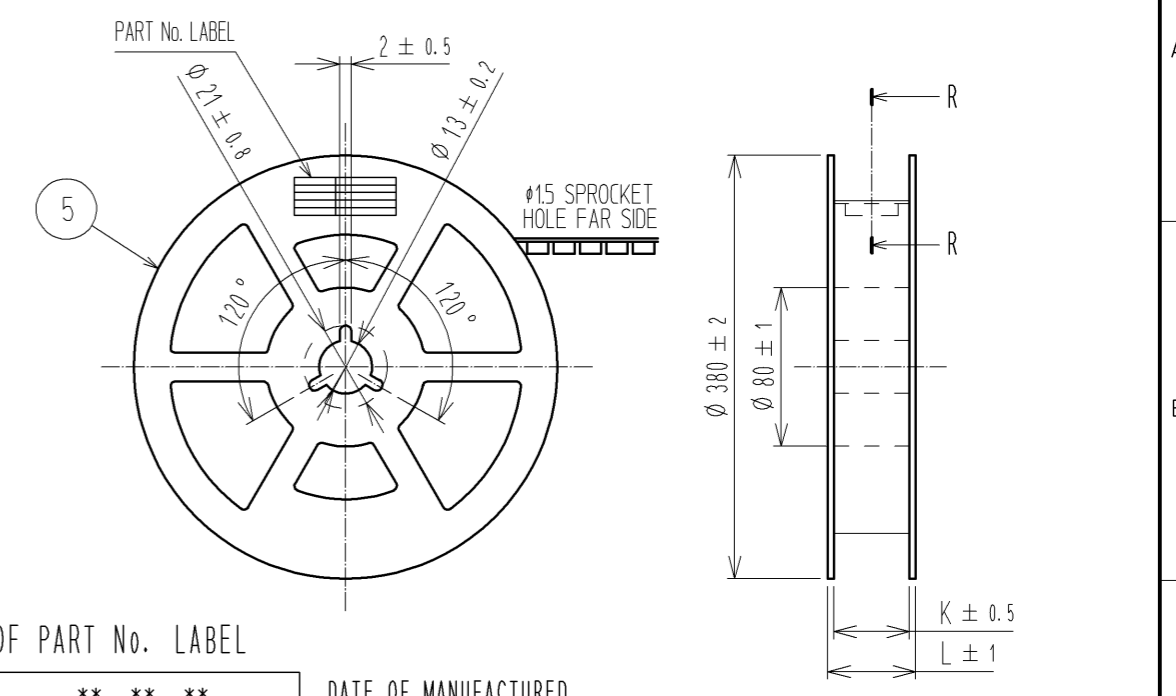
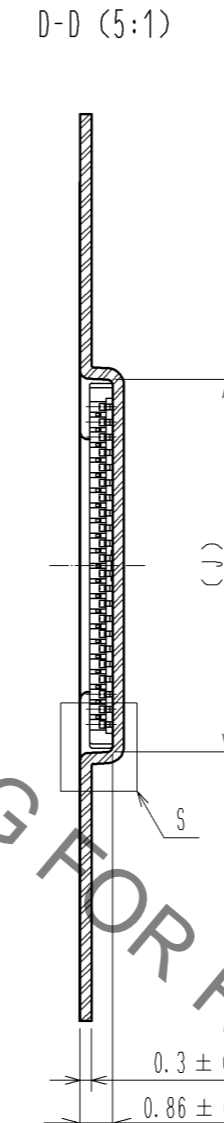
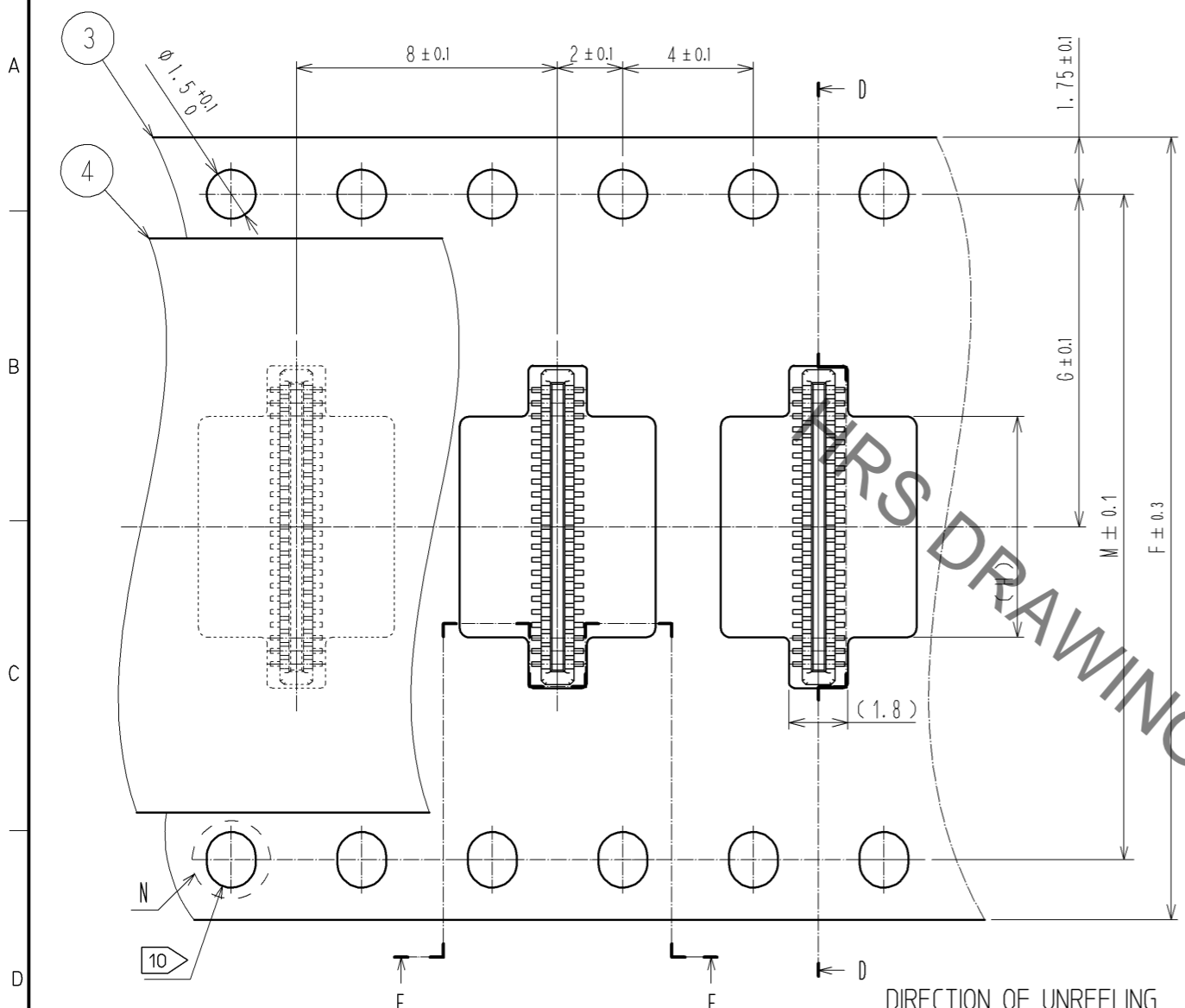
⑥ THIS TEMPERATURE PROFILE IS PER THE CONDITIONS SHOWN ABOVE. ADDITIONAL FACTORS, SUCH AS SOLDER PASTE TYPE, PCB SIZE AND OTHER MOUNTED COMPONENTS COULD AFFECT THE PROFILE, THEREFORE, A THOROUGH EVALUATION OF MOUNTING CONDITION IS REQUIRED PRIOR TO PRODUCTION. TEMPERATURE IS MEASURED AT CONTACT LEAD.

HRS	DRAWING NO.	EDC3-322328-04
	PART NO.	BM14B(0.8)-*DP-0.4V(51)
	CODE NO.	CL684

Jan.1.2022 Copyright 2022 HIROSE ELECTRIC CO., LTD. All Rights Reserved.
In case of consideration for using Automotive equipment / device which demand high reliability, kindly contact our sales window correspondents.

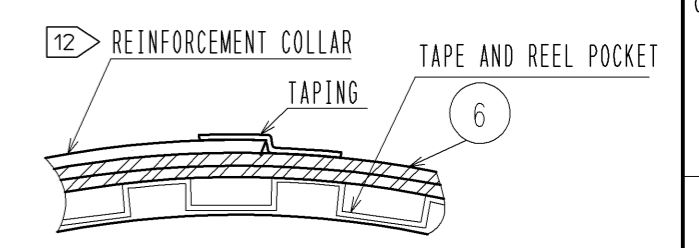
EMBOSSED CARRIER TAPE PACKAGING (5:1)

STYLE AND DIMENTION OF REEL (FREE)



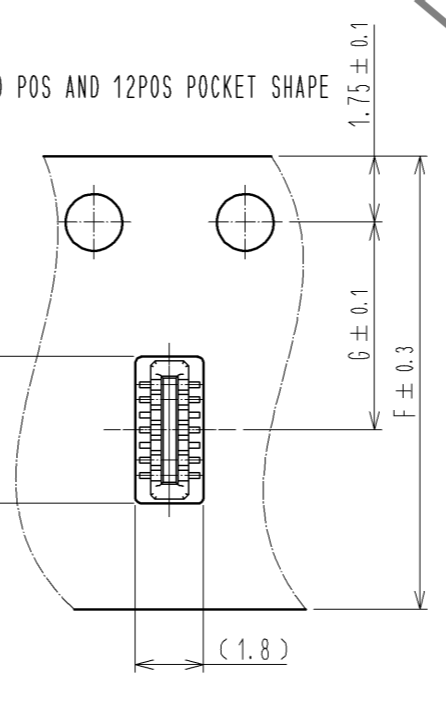
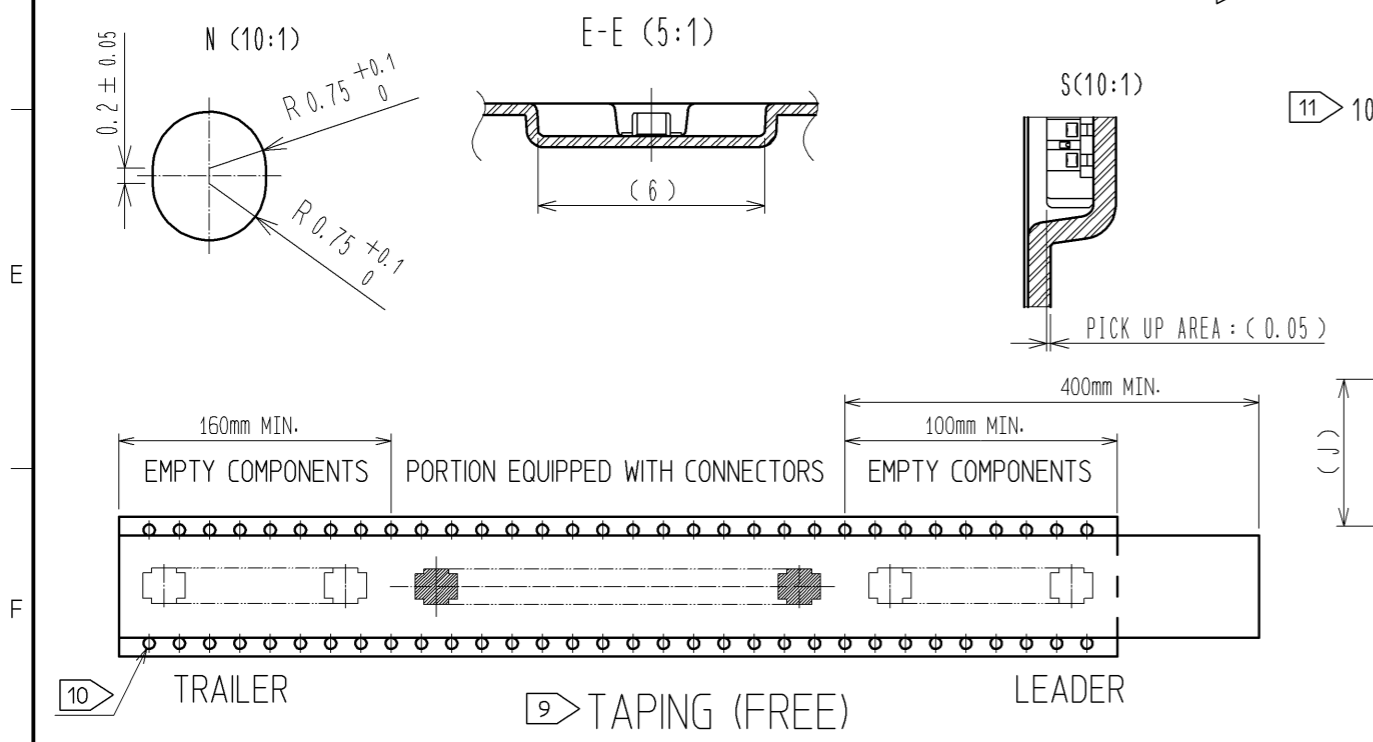
DETAIL OF PART No. LABEL

製造年月日	** ** *	DATE OF MANUFACTURED
製品コード	CL684-****-**-**	CODE No.
製品名	BM14B(0.8)-*DP-0.4V(51)	PART No.
数量	8,000	QUANTITY
納入者	ヒロセ電機(株)	SUPPLIER



PART No.	F	G	H	J	K	L	M
BM14B(0.8)-10DP-0.4V(51)	12	5.5	—	3.88	13.5	17.5	—
BM14B(0.8)-12DP-0.4V(51)	12	5.5	—	4.28	13.5	17.5	—
BM14B(0.8)-20DP-0.4V(51)	16	7.5	2.77	5.88	17.5	21.5	—
BM14B(0.8)-22DP-0.4V(51)	16	7.5	3.17	6.28	17.5	21.5	—
BM14B(0.8)-24DP-0.4V(51)	16	7.5	3.57	6.68	17.5	21.5	—
BM14B(0.8)-30DP-0.4V(51)	24	11.5	4.77	7.88	25.5	29.5	—
BM14B(0.8)-34DP-0.4V(51)	24	11.5	5.57	8.68	25.5	29.5	—
BM14B(0.8)-40DP-0.4V(51)	24	11.5	6.77	9.88	25.5	29.5	—
BM14B(0.8)-50DP-0.4V(51)	24	11.5	8.77	11.88	25.5	29.5	—
BM14B(0.8)-60DP-0.4V(51)	24	11.5	10.77	13.88	25.5	29.5	—

- 7. PER REEL 8000 CONNECTORS.
- 8. THE DIMENSIONS IN PARENTHESES ARE FOR REFERENCE.
- 9. REFER TO JIS C 0806(PACKAGING OF COMPONENTS FOR AUTOMATIC HANDLING)
- 10. EMBOSSED CARRIER TAPE USED ON 10 TO 60 POSITIONS HAS THE SPROCKET HOLE ON ONE SIDE.
- 11. 10 POS AND 12POS POCKET SHAPE ARE AS SHOWN IN THE FIGURE.
- 12. AFTER PACKAGING, ROLL 2 METERS OF THE REINFORCEMENT COLLAR TO OUTER CIRCUMFERENCE OF TAPE AND REEL POCKET, AND TAPE DOWN AT THE END THE COLLAR.



HRS	DRAWING NO.	EDC3-322328-04
	PART NO.	BM14B(0.8)-*DP-0.4V(51)
	CODE NO.	CL684
		3/3

Mouser Electronics

Authorized Distributor

Click to View Pricing, Inventory, Delivery & Lifecycle Information:

[Hirose Electric:](#)

[BM14B\(0.8\)-20DP-0.4V\(51\)](#)