

### Electrical Characteristics (Ta = 25°C, unless otherwise noted)

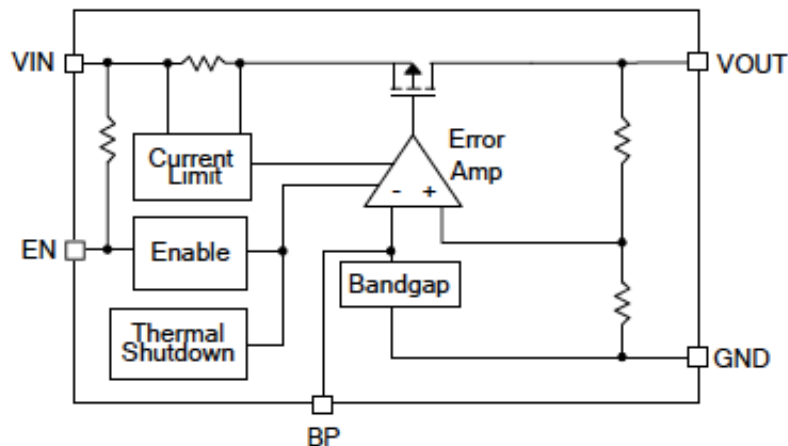
Parameter	Symbol	Test Condition	Min	Typ	Max	Units	
Input Voltage	$V_{IN}$	(Note 1)	2.5	--	5.5	V	
Output Voltage Accuracy	$\Delta V_{OUT}$	$I_{OUT}=1mA$	-2	--	+2	%	
Dropout Voltage	$V_{DROPOUT}$	$I_O=600mA$ $V_O=V_{O(NOM)}-2\%$	$1.5V \leq V_{OUT} \leq 2V$	--	1000	1200	mV
			$2.8V \leq V_{OUT} \leq 5V$	--	350	500	
Current Limit	$I_{LIMIT}$	$R_{LOAD}=1\Omega$	700	--	--	mA	
Short Circuit Current	$I_{SHORT}$	$V_{OUT} < 0.375 \times V_{OUT}$	--	300	--	mA	
Line Regulation	$REG_{LINE}$	$I_{OUT}=1mA, V_{IN}=V_{OUT}+1V \sim 5V$	--	0.2	0.5	%	
Load Regulation	$REG_{LOAD}$	$I_{OUT}=10\sim 600mA$	--	0.5	1	%	
Power Supply Rejection	PSRR	$C_{IN}=1\mu F, C_{OUT}=1\mu F,$ $I_{OUT}=10mA$	f=120Hz.	--	65	--	dB
			f=1kHz.	--	55	--	
Quiescent Current	$I_Q$	$I_{OUT} 0mA$	--	50	80	$\mu A$	
Shutdown Current	$I_{SD}$	$V_{IN}=2.8V\sim 5V, V_{EN}=0V$	--	--	1	$\mu A$	
Enable Pin Current	$I_{ENH}$	$V_{EH}=V_{IN}$	--	--	0.1	$\mu A$	
	$I_{ENL}$	$V_{IN}=3.6V, V_{EN}=0V$	--	--	1		
EN Input Threshold	$V_{ENH}$		1.5	--	--	V	
	$V_{ENL}$		--	--	0.4	V	
Over Temp. Shutdown	OTS		--	140	--	$^{\circ}C$	
Over Temp. Hysterisis	OTH		--	30	--	$^{\circ}C$	

Note1:  $V_{IN(MIN)}=V_{OUT}+V_{DROPOUT}$

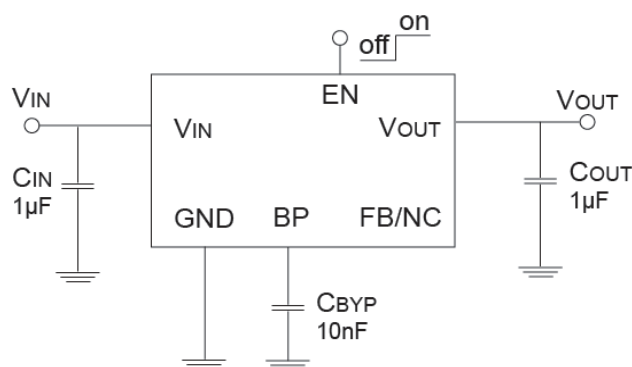
Note2: The is  $V_{DROPOUT}$  defined as  $V_{IN}-V_{OUT}$ , which is measured when  $V_{OUT}$  drop about 100mV

Note3: Regulation is measured at constant junction temperature by using pulsed testing with a low ON tim

### Block Diagram



### Typical Application Circuit



### Application Information

TS9005 is specifically designed for portable applications requiring minimum board space and smallest components. It can provide 600mA output current at dropout voltage about 600mV. Beside, current limit and thermal shutdown features provide protection against any combination of overload or ambient temperature that could exceed junction temperature.

### Capacitor Selection

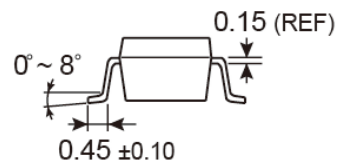
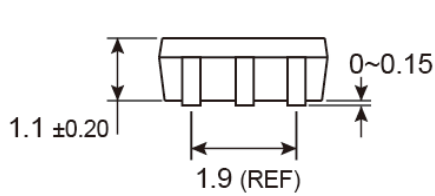
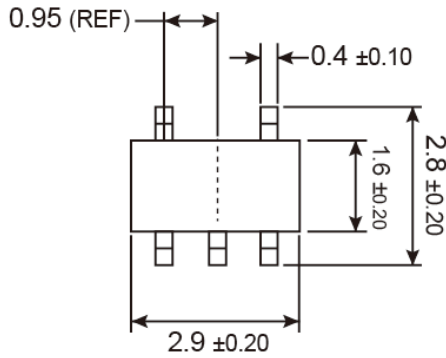
TS9005 is designed to be stable with a wide range of output capacitors. The ESR of the output capacitor affects stability. Larger output capacitor value can decrease peak deviations and to improve transition response for larger current changes. So the ESR of output capacitor is very important because it generates a zero to provide phase lead for loop stability. There is no requirement for the ESR on the input capacitor, but voltage and temperature coefficient have to be considered for device application environments.

The capacitor types (aluminum, ceramic and tantalum) have difference characterizations such as temperature and voltage coefficients. All ceramic capacitors are produces with a variety of dielectrics, each with different behavior across temperature and applications. Common dielectric use are X5R, X7R and Y5V. It is recommended to use 1uF X5R or X7R dielectric ceramic capacitor with 30mΩ~50mΩ ESR range between device outputs to ground for transient stability.

### Current Limit and Thermal Shutdown Protection

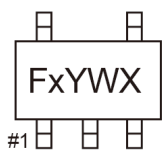
In order to prevent overloading or thermal condition from damaging the device, TS9005 regulator has internal thermal and current limiting functions designed to protect the device. It will rapidly shut off PMOS pass element during overloading or over temperature condition.

**SOT-25 Mechanical Drawing**



Unit: Millimeters

**Marking Diagram**



- F** = Device Code
- x** = Voltage Code  
    **k**=1.8V, **s**=3.3V
- Y** = Year Code (3=2013, 4=2014.....)
- W** = Week Code  
    WW: 01~26 (A~Z)  
    27~52 (a~z)
- X** = Internal ID Code

## Notice

Specifications of the products displayed herein are subject to change without notice. TSC or anyone on its behalf, assumes no responsibility or liability for any errors or inaccuracies.

Information contained herein is intended to provide a product description only. No license, express or implied, to any intellectual property rights is granted by this document. Except as provided in TSC's terms and conditions of sale for such products, TSC assumes no liability whatsoever, and disclaims any express or implied warranty, relating to sale and/or use of TSC products including liability or warranties relating to fitness for a particular purpose, merchantability, or infringement of any patent, copyright, or other intellectual property right.

The products shown herein are not designed for use in medical, life-saving, or life-sustaining applications. Customers using or selling these products for use in such applications do so at their own risk and agree to fully indemnify TSC for any damages resulting from such improper use or sale.

# Mouser Electronics

Authorized Distributor

Click to View Pricing, Inventory, Delivery & Lifecycle Information:

## Taiwan Semiconductor:

[TS9001ACX5](#) [TS9001DCX5](#) [TS9001PCX5](#) [TS9005DCW](#) [TS9005KCW](#) [TS9005KCY](#) [TS9005SCW](#) [TS9005SCY](#)  
[TS9007ACX5](#) [TS9007DCX5](#) [TS9007KCX5](#) [TS9007NCX5](#) [TS9007PCX5](#) [TS9007SCX5](#) [TS9005DCY](#) [TS9008ACX](#)  
[RF](#) [TS9008DCX RF](#) [TS9008KCX RF](#) [TS9008NCX RF](#) [TS9008PCX RF](#) [TS9008SCX RF](#) [TS9008SCX RFG](#)  
[TS9008DCX5 RFG](#) [TS9008DCX RFG](#) [TS9008SCX5 RFG](#)