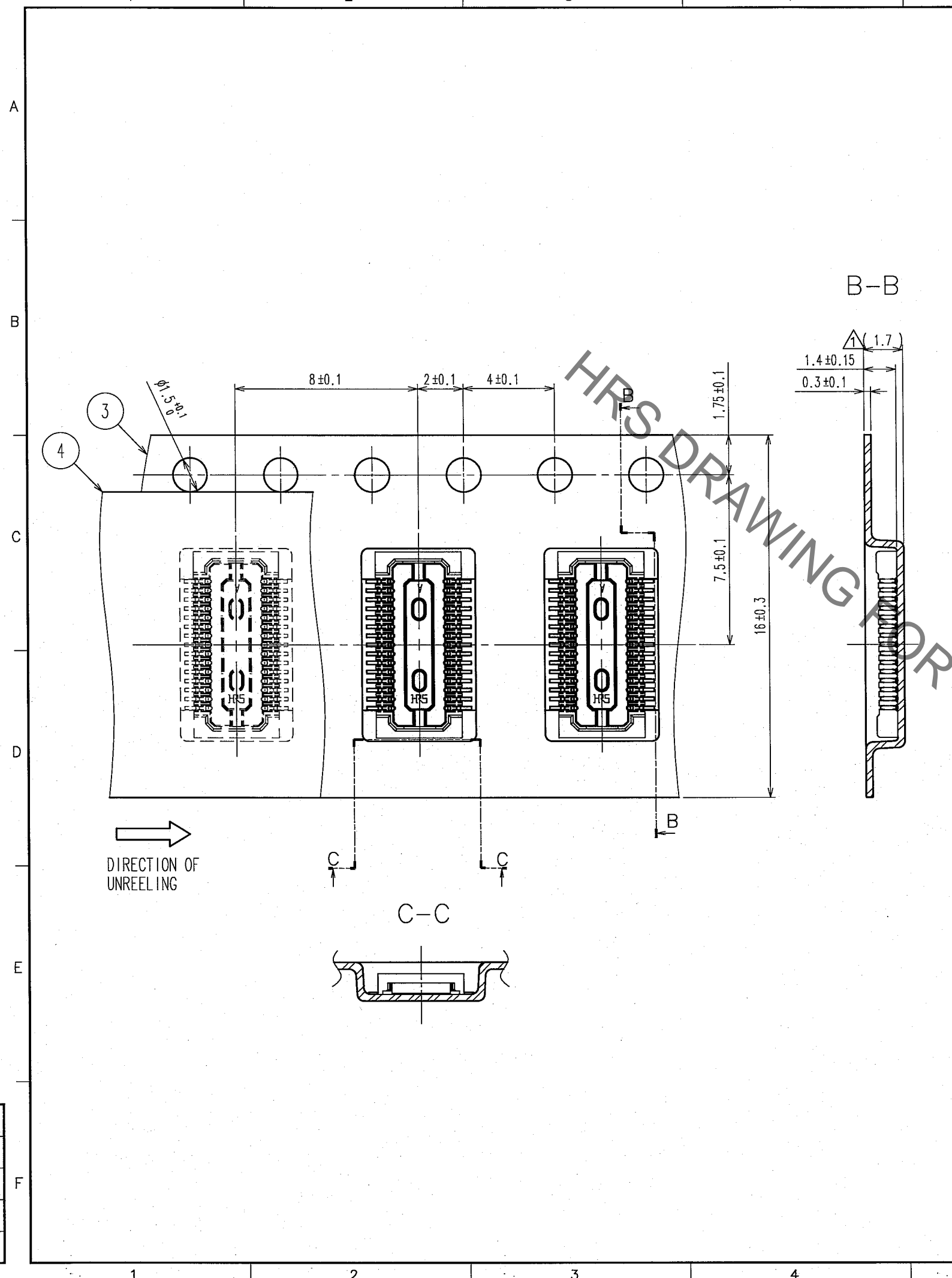
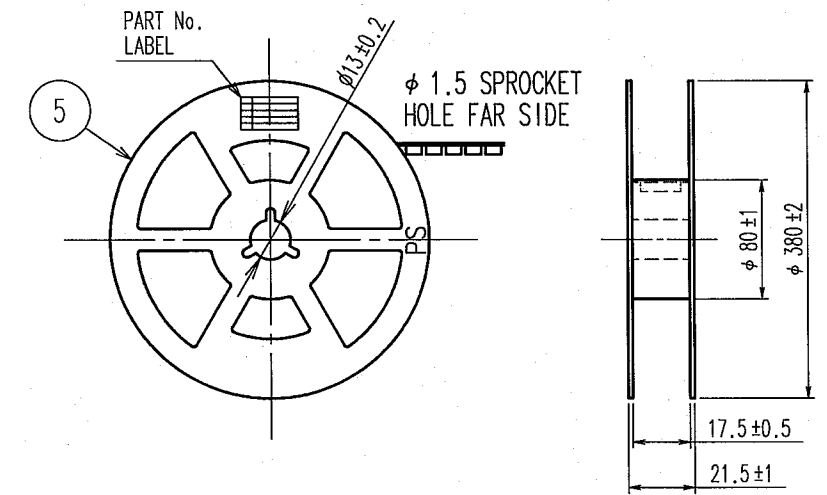


Sep.1.2021 Copyright 2021 HIROSE ELECTRIC CO., LTD. All Rights Reserved.  
In case of consideration for using Automotive equipment / device which demand high reliability, kindly contact our sales window correspondents.

COUNT	DESCRIPTION OF REVISIONS	BY	CHKD	DATE	COUNT	DESCRIPTION OF REVISIONS	BY	CHKD	DATE
△					△				
△					△				
△					△				



STYLE AND DIMENSION OF REEL (FREE SIZE) △



DETAIL OF PART NO. LABEL

SUPPLIER	HIROSE ELECTRIC CO., LTD.
QUANTITY	5000個
PART NO.	DF30FC-30DS-0.4V(81)
CODE NO.	CL684-1112-2-81
DATE OF MANUFACTURED	生産月日 年 月 日
図番	CL684-1112-2-81
品名	DF30FC-30DS-0.4V(81)
納入数量	5000個
納入者	ヒロセ電機(株)

TO

CODE NO. (OLD)	DRAWN	DESIGNED	CHECKED	APPROVED	RELEASED
	T. NISHI	K. MIDORIKAWA	K. IKEDA	T. OMA	
	'04.07.30	'04.07.30	'04.07.30	'04.07.30	
SCALE	DRAWING NO.		PART NO.		
5 : 1	EDC3-303464-03		DF30FC-30DS-0.4V(81)		
UNITS	HRS HIROSE ELECTRIC CO., LTD		CODE NO.		2
mm			CL684-1112-2-81		

# Mouser Electronics

Authorized Distributor

Click to View Pricing, Inventory, Delivery & Lifecycle Information:

[Hirose Electric:](#)

[DF30FC-30DS-0.4V\(81\)](#)