

VSC3340-01

6.5 Gbps 40 × 40 Crosspoint Switch with Low-Power Green Modes

Speed and Protocol Support

- 6.5 Gbps non-return-to-zero (NRZ) data bandwidth
- Protocol-independent low power green modes when used at lower data rates

Architecture

- Fully non-blocking and multicasting switch core
- Loss of signal (LOS) detection and forwarding (supports out-of-band signaling)
- Fully asynchronous operation with <1 ns latency
- 40 × 40 switch core enables signal fanout, loopback, and protection switching

Signal Integrity

- Multiple time-constant programmable input and output equalization
- Wide equalization adjustment range
- Input EQ of 26 dB at 6.5 Gbps
- 9 dB of pre-emphasis

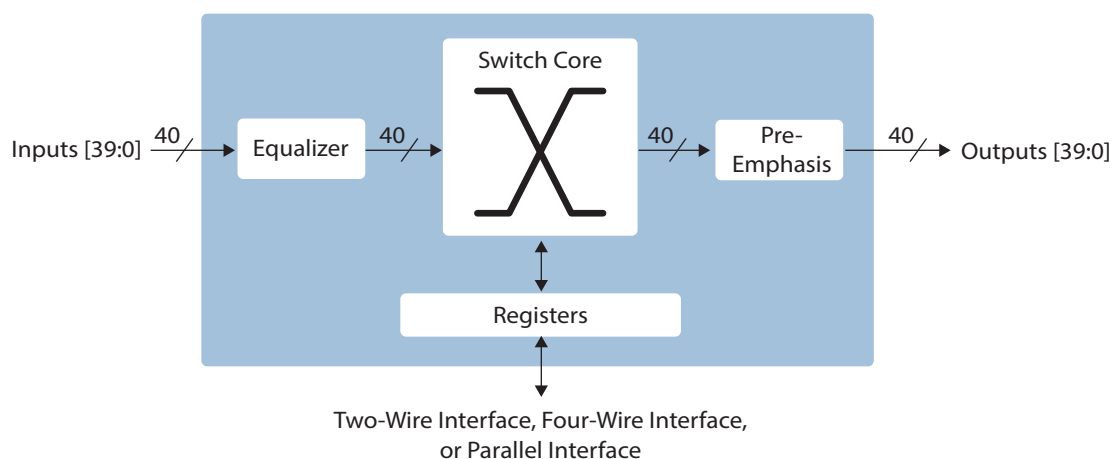
Key Specifications

- 6.5 Gbps NRZ per channel data rate
- 2.5 V power supply
- 23 mm × 23 mm flip chip ball grid array package

Related Products

Visit www.microsemi.com for information about these related products:

- Crosspoint switches
- Ethernet MACs
- Mux, demux, and transceivers
- Electronic dispersion compensation CDRs



Mouser Electronics

Authorized Distributor

Click to View Pricing, Inventory, Delivery & Lifecycle Information:

[Microchip:](#)

[VSC3340XJJ-01](#)