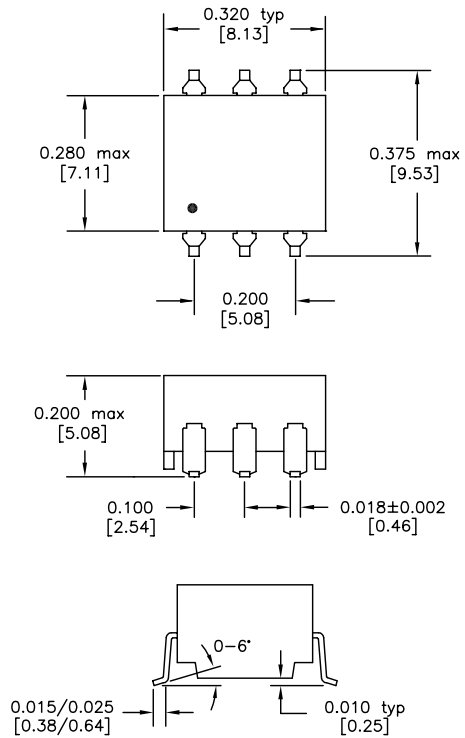


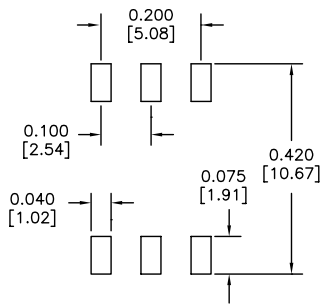
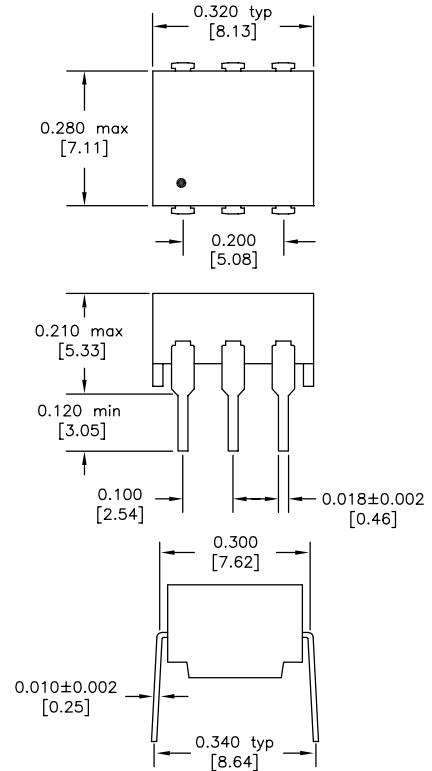
6 Pin, 1.5kVrms DC/DC Converter Isolation Modules

SMD Package (NS)

DIL Package (NE)



Dimensions: inches [mm]
Co-Planarity: 0.004 [0.10]



Recommended
Solder Pad Dimensions

US Patent Numbers for SMD Devices
5,656,985 6,297,721 B1
6,297,720 B1 6,320,489 B1
6,344,785 B1 6,662,431 B1

HALO
ELECTRONICS, INC.

2880 Lakeside Drive #116
Santa Clara, CA 95054
(650) 903-3800
www.haloelectronics.com

HALO® Electronics is a leading supplier of high quality communication magnetics including signal transformers, filters, CMR chokes, PoE power transformers, DC/DC converters, and integrated Ethernet connectors. HALO's leading edge technology solutions are manufactured in ISO9001 and ISO14001 factories offering high quality products at a competitive price.

© Copyright 2014 HALO Electronics, Inc. All rights reserved.

Revised 5/2014 Download the latest version at www.haloelectronics.com/pdf/discrete-dc2dc-6pin15kv.pdf

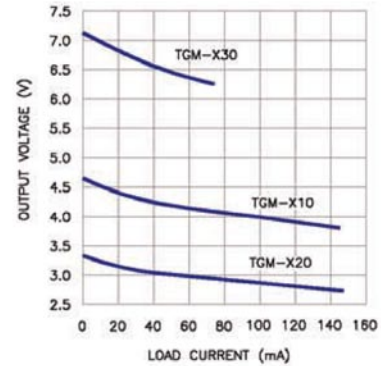
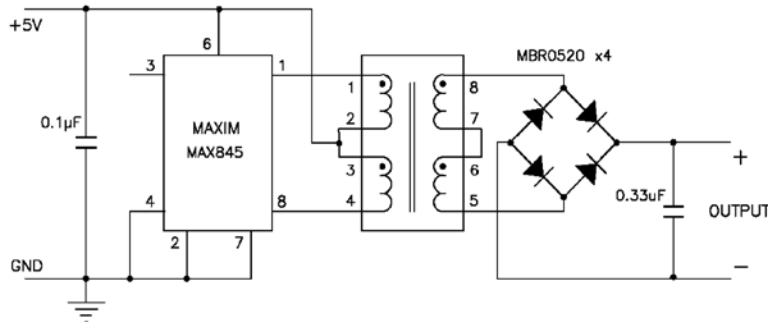
Maxim MAX253/MAX845 DC/DC Converter Application Note



The TDM and TGM series of transformers have been designed specifically for use with the Maxim™ MAX253 and MAX845 monolithic oscillator/power driver with 3.3V or 5V power source. Multiple output voltages can be achieved depending on the diode circuit and transformer selected. For more information, pertaining to the MAX253/MAX845 please contact Maxim at (408) 737-7600. Maxim is a registered trademark of Maxim Integrated Products.

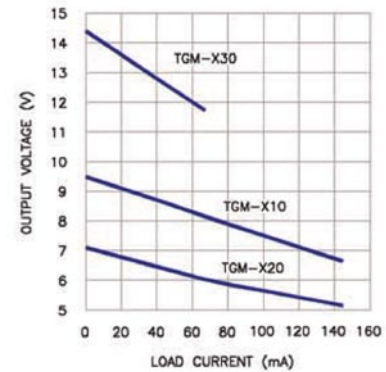
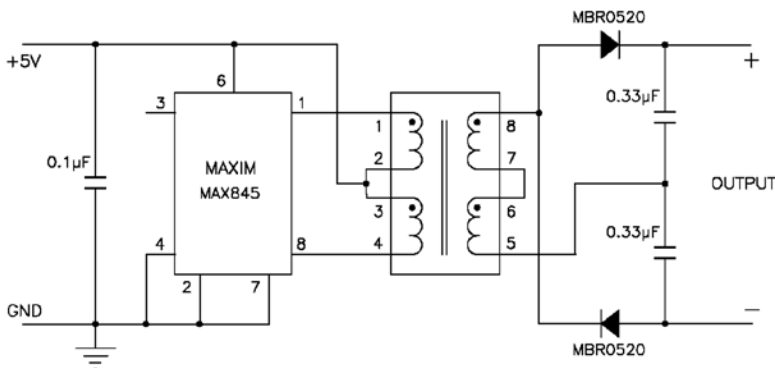
Bridge Rectifier Circuit

Output Voltages



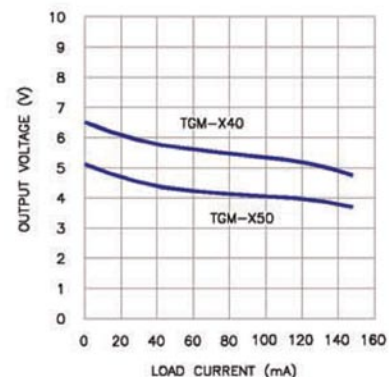
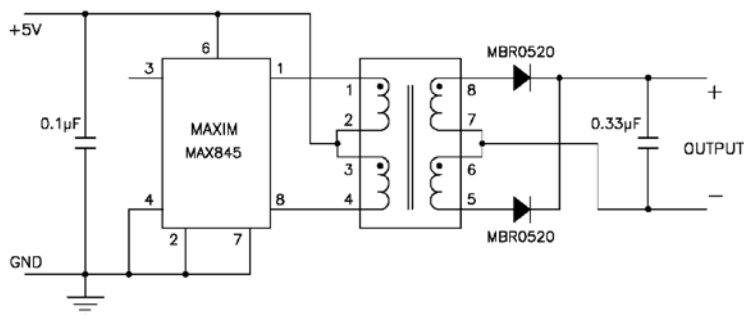
Doubler Circuit

Output Voltages



Full Wave Rectifier Circuit

Output Voltages



Mouser Electronics

Authorized Distributor

Click to View Pricing, Inventory, Delivery & Lifecycle Information:

HALO Electronics:

[TGM-240NSLF](#) [TGM-230NSLF](#) [TGM-210NSLF](#) [TGM-250NSLF](#) [TGM-280NSLF](#) [TGM-210NSRL](#) [TGM-240NSLFTR](#)
[TGM-210NSRLTR](#) [TGM-220NSRLTR](#) [TGM-240NSRLTR](#) [TGM-280NSRLTR](#) [TGM-230NSRLTR](#) [TGM-220NSRL](#)
[TGM-250NSRLTR](#) [TGM-250NSRL](#) [TGM-230NSRL](#) [TGM-280NSRL](#) [TGM-240NSRL](#) [TDM-240NERL](#) [TDM-250NERL](#)
[TDM-220NERL](#) [TDM-230NERL](#) [TDM-210NERL](#) [TDM-280NELF](#) [TDM-220NELF](#) [TDM-240NELF](#) [TDM-250NELF](#)
[TGM-220NSLF](#) [TDM-210NELF](#) [TDM-230NELF](#) [TGM-210NSLFTR](#) [TGM-220NSLFTR](#) [TGM-280NSLFTR](#) [TGM-](#)
[230NSLFTR](#) [TGM-250NSLFTR](#)