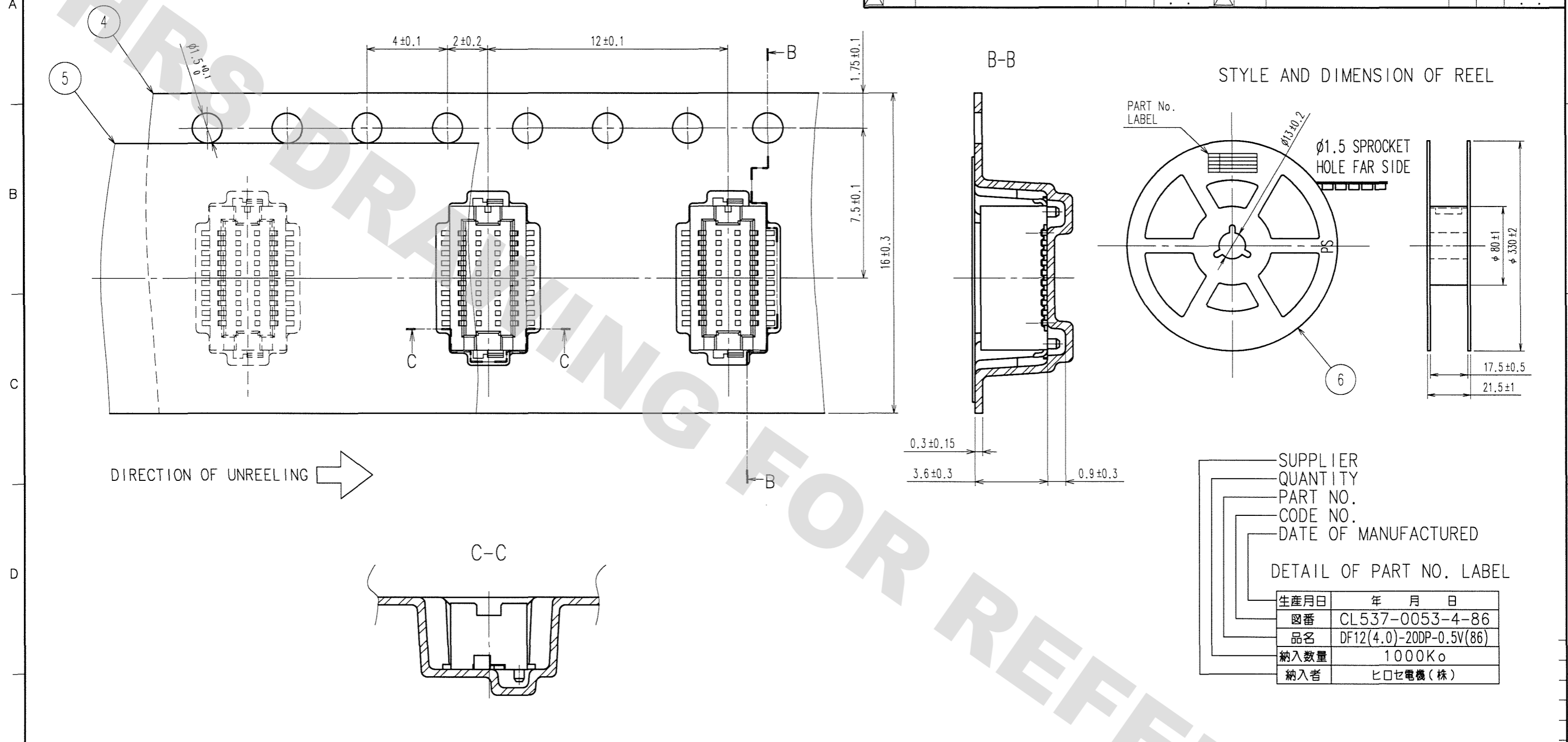


DRAWING FOR REFERENCE: This is subject to change without notice  
08/11/2012

| COUNT | DESCRIPTION OF REVISIONS | BY | CHKD | DATE | COUNT | DESCRIPTION OF REVISIONS | BY | CHKD | DATE |
|-------|--------------------------|----|------|------|-------|--------------------------|----|------|------|
| △     |                          |    |      | ..   | △     |                          |    |      | ..   |
| △     |                          |    |      | ..   | △     |                          |    |      | ..   |
| △     |                          |    |      | ..   | △     |                          |    |      | ..   |



SUPPLIER  
QUANTITY  
PART NO.  
CODE NO.  
DATE OF MANUFACTURED

DETAIL OF PART NO. LABEL

|      |                         |
|------|-------------------------|
| 生産月日 | 年 月 日                   |
| 図番   | CL537-0053-4-86         |
| 品名   | DF12(4.0)-20DP-0.5V(86) |
| 納入数量 | 1000K $\phi$            |
| 納入者  | ヒロセ電機(株)                |

- NOTES
- 1 REEL:1000 CONNECTORS.
  - AT THE BEGINNING OF THE REEL, 30 COMPONENTS SHALL BE EMPTY.  
AT THE END OF THE REEL, 20 COMPONENTS SHALL BE EMPTY.
  - PEEL FORCE REFERS TO JIS C 0806.
  - △ THE REEL IS PACKED WITH A POLYETHYLENE MATERIAL, TOGETHER WITH A DRYING AGENT.

|    |
|----|
| TO |
|    |
|    |
|    |

|                |                          |           |                         |          |          |
|----------------|--------------------------|-----------|-------------------------|----------|----------|
| CODE NO. (OLD) | DRAWN                    | DESIGNED  | CHECKED                 | APPROVED | RELEASED |
|                | N.Sato                   | Y.Michida | T.Miyazaki              | K.Ikeda  |          |
|                | 07.03.01                 | 07.03.01  | 07.03.02                | 07.03.02 |          |
| SCALE          | DRAWING NO.              |           | PART NO.                |          |          |
| 5 : 1          | EDC3-160703-05           |           | DF12(4.0)-20DP-0.5V(86) |          |          |
| UNITS          | HIROSE ELECTRIC CO., LTD |           | CODE NO.                |          |          |
| mm             | HRS                      |           | CL537-0053-4-86         |          |          |

# Mouser Electronics

Authorized Distributor

Click to View Pricing, Inventory, Delivery & Lifecycle Information:

[Hirose Electric:](#)

[DF12\(4.0\)-20DP-0.5V\(86\)](#)