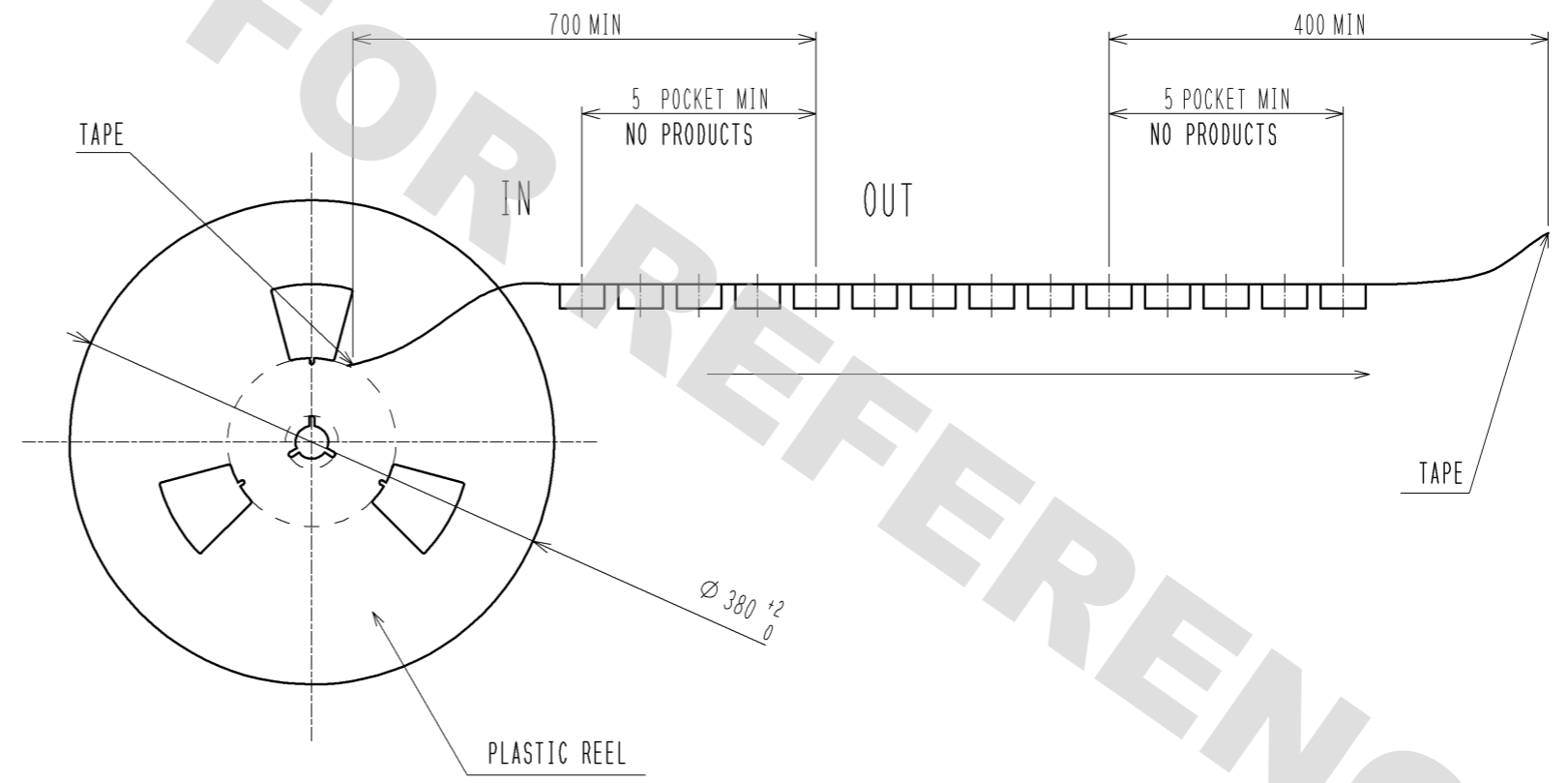
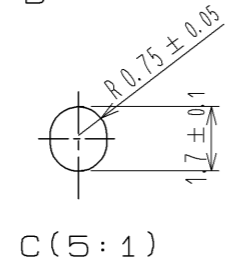
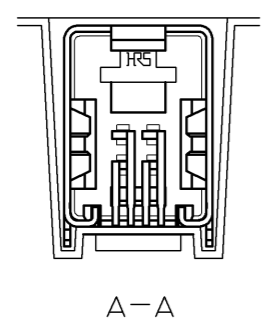
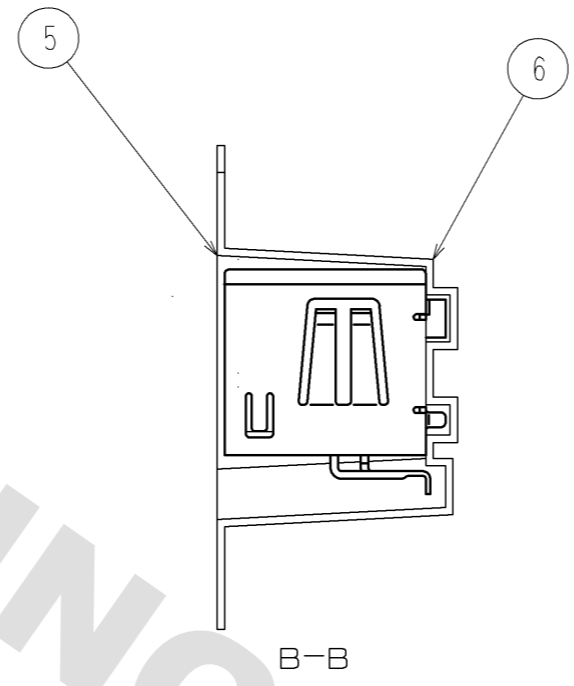
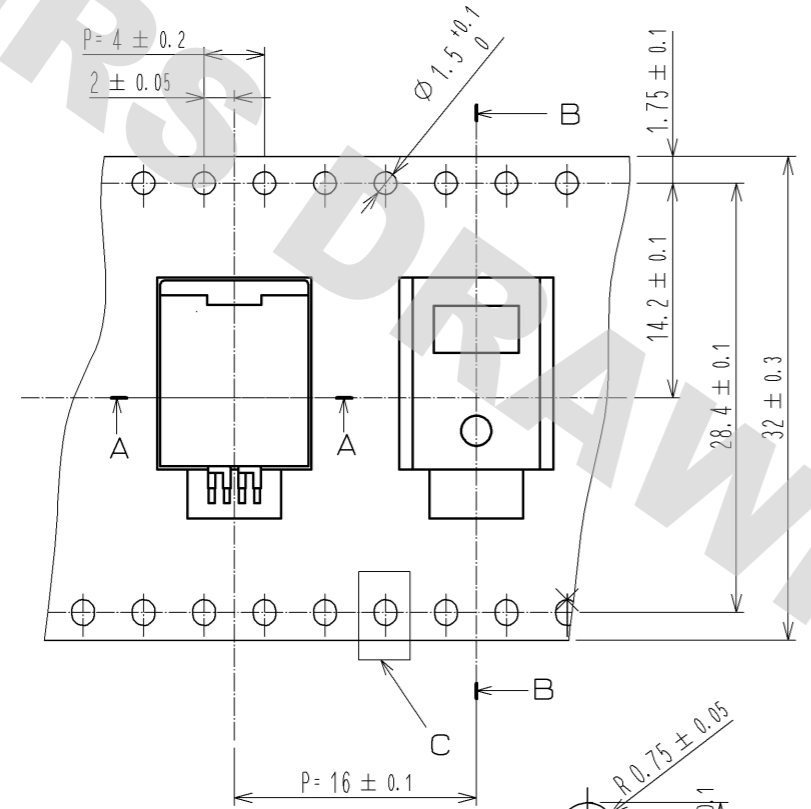


DRAWING FOR REFERENCE: This is subject to change without notice  
08/11/2012

IN REEL DIRECTION OUT



PACKAGE STYLE  
NOTE 1. 300 PCS / REEL  
NOTE 2. TOP COVER TAPE PEEL FORCE TO BE 0.1 TO 0.7 N AFTER SEALING.

<b>HRS</b>	DRAWING NO.	EDC3-167010-06	2/2
	PART NO.	GT17HN-4DP-2H(B)(14)	
	CODE NO.	CL767-0175-0-14	

# Mouser Electronics

Authorized Distributor

Click to View Pricing, Inventory, Delivery & Lifecycle Information:

[Hirose Electric:](#)

[GT17HN-4DP-2H\(B\)\(14\)](#)