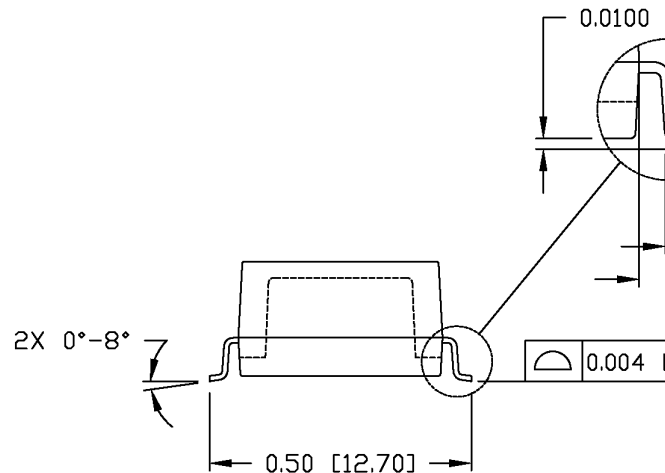
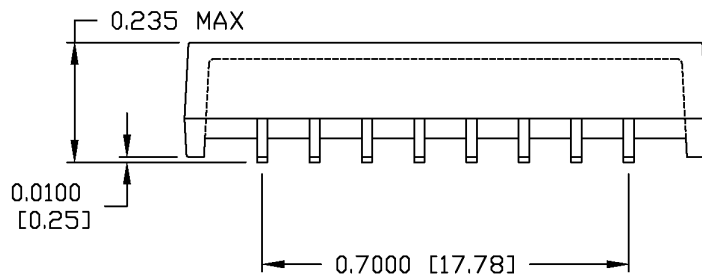
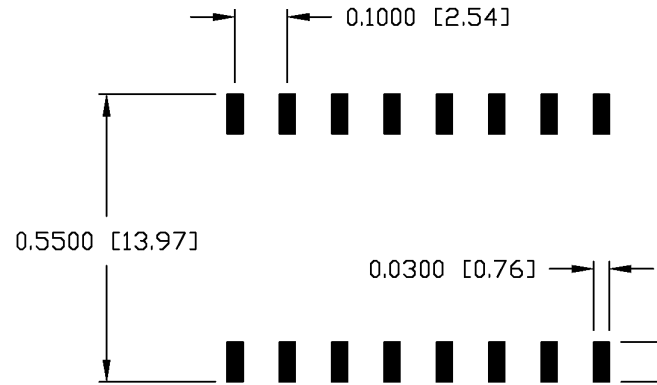
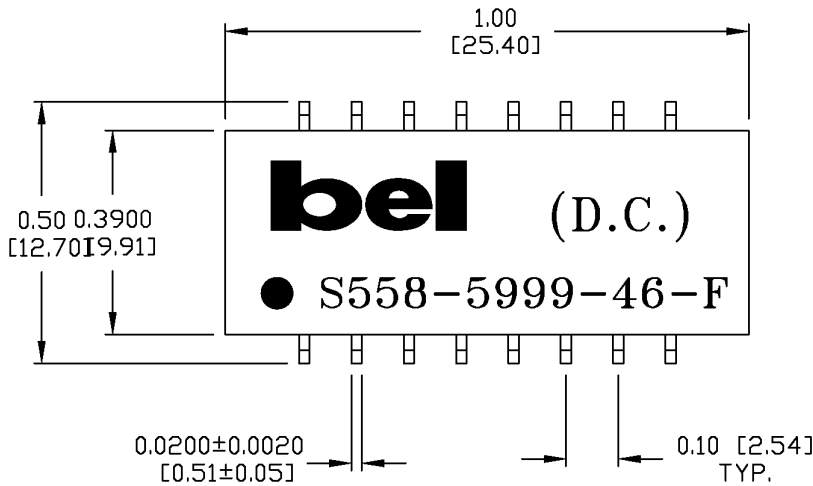


THE INFORMATION CONTAINED HEREIN IS CONSIDERED "PROPRIETARY" TO BEL FUSE INC. AND SHALL NOT BE COPIED, REPRODUCED OR DISCLOSED WITHOUT THE WRITTEN APPROVAL OF BEL FUSE INC.

SUGGESTED PCB PAD LAYOUT



NOTES:

1. STANDARD MARKING REFER TO DOC. HAND-WORK-04.
2. PACKAGE CODE: "RNS001".

DRWN	DATE	TITLE	PART NO. / DRAWING NO.	STANDARD DIM.		[] METR
				TOL. IN INCH		UNIT : IN
				.X		SCALE :
DQ Chen	01-26-05	MECHANICAL DRAWING	X558599946-F	.XX	±0.01	
CHKD	DATE	S558-5999-46-F	FILE NAME	.XXX	±0.005	⊕
HQ	01-26-05		X558599946FADWG			

FORM NO. - ENG02082001

Mouser Electronics

Authorized Distributor

Click to View Pricing, Inventory, Delivery & Lifecycle Information:

Bel:

[S558-5999-46-F](#)