

# Microprocessor Voltage Monitors with Programmable Voltage Detection

## ABSOLUTE MAXIMUM RATINGS

Supply Voltage	-0.5V to +18V	8-Pin CERDIP (derate 8.00mW/°C above +70°C)	640mW
Output Voltage	-0.5V to +18V	8-Pin TO-99 (derate 6.67mW/°C above +70°C)	533mW
Hysteresis	+0.5V to -18V with respect to (V+ + 0.5V)	Operating Temperature Ranges	
Threshold Input Voltage	-0.5V to (V+ + 0.5V)	MAX821_C_	0°C to +70°C
Current into Any Terminal	±50mA	MAX821_E_	-40°C to +85°C
Continuous Power Dissipation (T <sub>A</sub> = +70°C)		MAX821_M_	-55°C to +125°C
8-Pin Plastic DIP (derate 9.09mW/°C above +70°C)	727mW	Storage Temperature Range	-65°C to +150°C
8-Pin SO (derate 5.88mW/°C above +70°C)	471mW	Lead Temperature (soldering, 10s)	+300°C

Stresses beyond those listed under "Absolute Maximum Ratings" may cause permanent damage to the device. These are stress ratings only, and functional operation of the device at these or any other conditions beyond those indicated in the operational sections of the specifications is not implied. Exposure to absolute maximum rating conditions for extended periods may affect device reliability.

## ELECTRICAL CHARACTERISTICS

(V+ = 5V, T<sub>A</sub> = +25°C, unless otherwise noted.)

PARAMETER	SYMBOL	CONDITIONS		MAX8211			MAX8212			UNITS
				MIN	TYP	MAX	MIN	TYP	MAX	
Supply Current	I <sub>+</sub>	2V ≤ V+ ≤ 16.5V, GND ≤ V <sub>TH</sub> ≤ V+	T <sub>A</sub> = +25°C	5	15		5	15	μA	
			T <sub>A</sub> = T <sub>MIN</sub> to T <sub>MAX</sub>		20		20			
Threshold Trip Voltage	V <sub>TH</sub>	T <sub>A</sub> = +25°C	V+ = 16.5V, I <sub>OUT</sub> = 4mA	1.11	1.19	1.11	1.19	V		
			V+ = 2V, I <sub>OUT</sub> = 500μA							
		T <sub>A</sub> = T <sub>MIN</sub> to T <sub>MAX</sub>	V+ = 16.5V, I <sub>OUT</sub> = 3mA	1.05	1.25	1.05	1.25			
			V+ = 2.2V, I <sub>OUT</sub> = 500μA							
Threshold Voltage Disparity between Output and Hysteresis Output	V <sub>THP</sub>	I <sub>OUT</sub> = 4mA, I <sub>HYST</sub> = 1mA		±0.1		±0.1	mV			
Guaranteed Operating Supply Voltage Range	V <sub>SUPP</sub>	T <sub>A</sub> = +25°C		2.0	16.5	2.0	16.5	V		
		T <sub>A</sub> = T <sub>MIN</sub> to T <sub>MAX</sub>		2.2	16.5	2.2	16.5			
Typical Operating Supply Voltage Range	V <sub>SUPP</sub>			1.5	16.5	1.5	16.5	V		
Threshold Voltage Temperature Coefficient	ΔV <sub>TH</sub> /ΔT	See Figure 4		-200		-200		ppm/°C		
Variation of Threshold Voltage with Supply Voltage	ΔV <sub>TH</sub>	V+ = 4.5V to 5.5V		1.0		0.2		mV		
Threshold Input Current	I <sub>TH</sub>	0V ≤ V <sub>TH</sub> ≤ V+, T <sub>A</sub> = +25°C		0.01	10	0.01	10	nA		
		T <sub>A</sub> = T <sub>MIN</sub> to T <sub>MAX</sub>			20		20			
Output Leakage Current	I <sub>LOUT</sub>	T <sub>A</sub> = T <sub>MIN</sub> to T <sub>MAX</sub> , C/E temp. ranges	V <sub>OUT</sub> = 16.5V, V <sub>TH</sub> = 1.0V				10	μA		
			V <sub>OUT</sub> = 16.5V, V <sub>TH</sub> = 1.3V			10				
			V <sub>OUT</sub> = 5V, V <sub>TH</sub> = 1.0V				1			
			V <sub>OUT</sub> = 5V, V <sub>TH</sub> = 1.3V			1				
		T <sub>A</sub> = T <sub>MIN</sub> to T <sub>MAX</sub> , M temp. range	V <sub>OUT</sub> = 16.5V, V <sub>TH</sub> = 0.9V				30			
			V <sub>OUT</sub> = 16.5V, V <sub>TH</sub> = 1.3V			30				
			V <sub>OUT</sub> = 5V, V <sub>TH</sub> = 0.9V				10			
			V <sub>OUT</sub> = 5V, V <sub>TH</sub> = 1.3V			10				

# Microprocessor Voltage Monitors with Programmable Voltage Detection

MAX8211/MAX8212

## ELECTRICAL CHARACTERISTICS (continued)

(V+ = 5V, TA = +25°C, unless otherwise noted.)

PARAMETER	SYMBOL	CONDITIONS	MAX8211			MAX8212			UNITS
			MIN	TYP	MAX	MIN	TYP	MAX	
Output Saturation Voltage	VOL	IOUT = 2mA, VTH = 1.0V	0.17	0.4				V	
		IOUT = 2mA, VTH = 1.3V				0.17	0.4		
Maximum Available Output Current	IOH	C temp. range, VOUT = 5V	VTH = 1.0V (Note 1)	4	7.0			mA	
			VTH = 1.3V (Note 2)			12	35		
Hysteresis Leakage Current	ILHYS	TA = TMIN to TMAX, C/E temp. ranges, V+ = 16.5V, VTH = 1.0V, VHYS = -16.5V with respect to V+			0.1		0.1	μA	
		TA = TMIN to TMAX, M temp. range, V+ = 16.5V, VTH = 0.9V, VHYS = -16.5V with respect to V+			3		3		
Hysteresis Saturation Voltage	VHYS (MAX)	IHYS = 0.5mA, VTH = 1.3V, measured with respect to V+	-0.1	-0.2		-0.1	-0.2	V	
Maximum Available Hysteresis Current	VHYS (MAX)	VTH = 1.3V, VHYS = 0V	2	10		2	10	mA	

**Note 1:** The maximum output current of the MAX8211 is limited by design to 30mA under any operating condition. The output voltage may be sustained at any voltage up to +16.5V as long as the maximum power dissipation of the device is not exceeded.

**Note 2:** The maximum output current of the MAX8212 is not defined, and systems using the MAX8212 must therefore ensure that the output current does not exceed 50mA and that the maximum power dissipation of the device is not exceeded.

## Detailed Description

As shown in the block diagrams of Figures 1 and 2, the MAX8211 and MAX8212 each contain a 1.15V reference, a comparator, an open-drain n-channel output transistor, and an open-drain p-channel hysteresis output. The MAX8211 output n-channel turns on when the voltage applied to the THRESH pin is less than the internal reference (1.15V). The sink current is limited to 7mA (typical), allowing direct drive of an LED without a series resistor. The MAX8212 output turns on when the voltage applied to THRESH is greater than the internal reference. It is not current limited, and will typically sink 35mA.

### Compatibility with ICL8211/ICL8212

The CMOS MAX8211/MAX8212 are plug-in replacements for the bipolar ICL8211/ICL8212 in most applications. The use of CMOS technology has several advantages. The quiescent supply current is much less than in the bipolar parts. Higher-value resistors can also be used

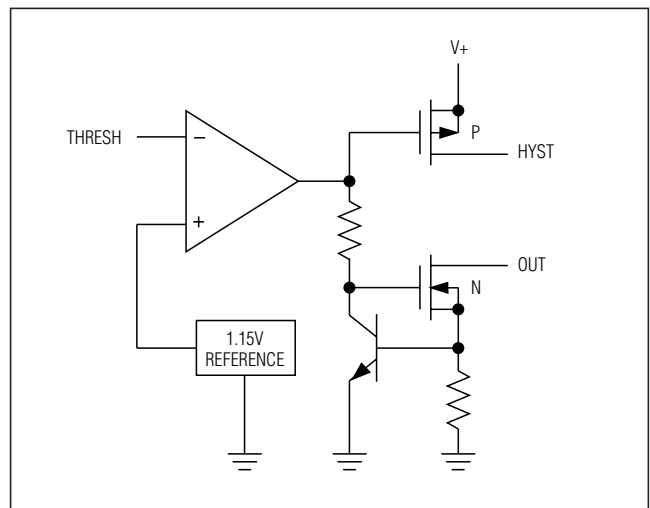


Figure 1. MAX8211 Block Diagram

# Microprocessor Voltage Monitors with Programmable Voltage Detection

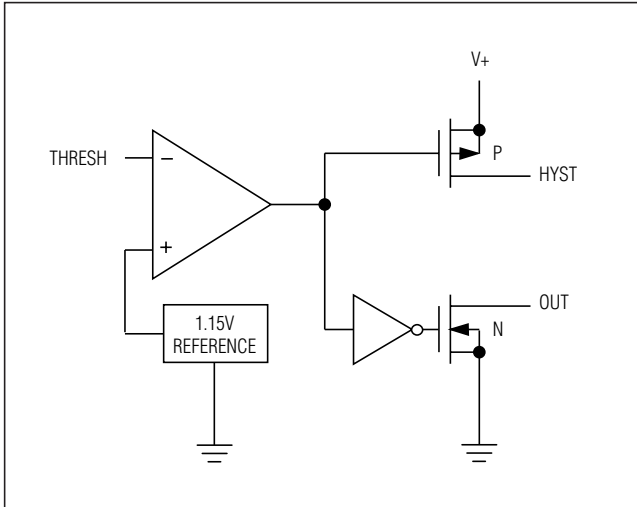


Figure 2. MAX8212 Block Diagram

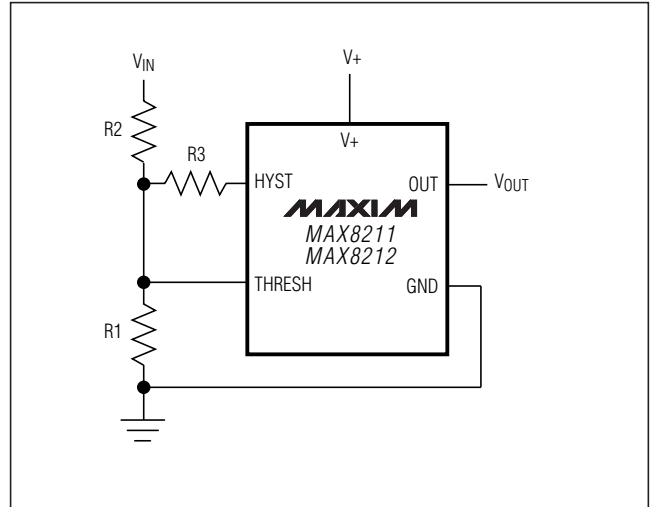


Figure 3. Basic Overvoltage/Undervoltage Circuit

in the networks that set up the trip voltage, since the comparator input (THRESH pin) is a low-leakage MOSFET transistor. This further reduces system current drain. The tolerance of the internal reference has also been significantly improved, allowing for more precise voltage detection without the use of potentiometers.

The available current from the HYST output has been increased from 21 $\mu$ A to 10mA, making the hysteresis feature easier to use. The disparity between the HYST output and the voltage required at THRESH to switch the OUT pin has also been reduced in the MAX8211 from 8mV to 0.1mV to eliminate output “chatter” or oscillation.

Most voltage detection circuits operate with supplies of 15V or less; in these applications, the MAX8211/MAX8212 will replace ICL8211/ICL8212s with the performance advantages described above. However, note that the CMOS parts have an absolute maximum supply-voltage rating of 18V, and should never be used in applications where this rating could be exceeded. Exercise caution when replacing ICL8211/ICL8212s in closed-loop applications such as programmable zeners. Although neither the ICL8211/ICL8212 nor the MAX8211/MAX8212 are internally compensated, the CMOS parts have higher gain and may not be stable for the external compensation-capacitor values used in lower-gain ICL8211/ICL8212 circuits.

## Applications Information

### Basic Voltage Detectors

Figure 3 shows the basic circuit for both undervoltage detection (MAX8211) and overvoltage detection (MAX8212). For applications where no hysteresis is needed, R3 should be omitted. The ratio of R1 to R2 is then chosen such that, for the desired trip voltage at  $V_{IN}$ , 1.15V is applied to the THRESH pin. Since the comparator inputs are very low-leakage MOSFET transistors, the MAX8211/MAX8212 can use much higher resistor values in the attenuator network than can the bipolar ICL8211/ICL8212. See Table 1 for switching delays.

Table 1. Switching Delays

TYPICAL DELAYS	MAX8211	MAX8212
$t_{(on)}$	40 $\mu$ s	250 $\mu$ s
$t_{(off)}$	1.5ms	3ms

### Voltage Detectors with Hysteresis

To ensure noise-free output switching, hysteresis is frequently used in voltage detectors. For both the MAX8211 and MAX8212 the HYST output is on for threshold voltages greater than 1.15V. R3 (Figure 3) controls the amount of current (positive feedback) supplied from the HYST output to the mid-point of the resistor divider, and hence the magnitude of the hysteresis, or dead-band.

# Microprocessor Voltage Monitors with Programmable Voltage Detection

MAX8211/MAX8212

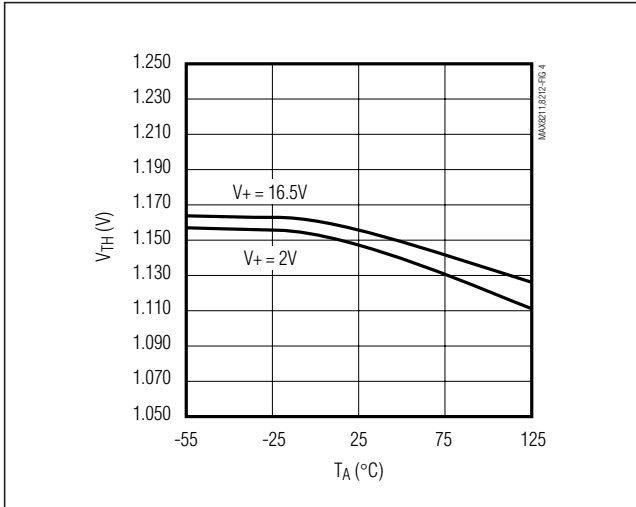


Figure 4. MAX8211/MAX8212 Threshold Trip Voltage vs. Ambient Temperature

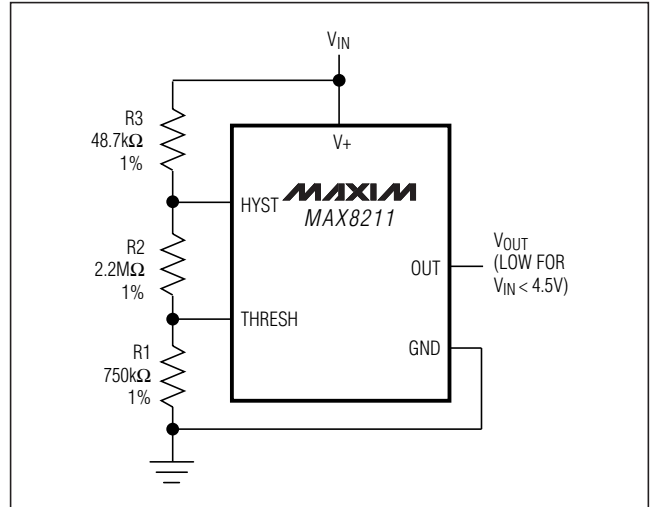


Figure 5. MAX8211 Logic-Supply Low-Voltage Detector

Calculate resistor values for Figure 3 as follows:

- 1) Choose a value for R1. Typical values are in the 10kΩ to 10MΩ range.
- 2) Calculate R2 for the desired upper trip point V<sub>U</sub> using the formula:

$$R2 = R1 \times \frac{(V_U - V_{TH})}{V_{TH}} = R1 \times \frac{(V_U - 1.15V)}{1.15V}$$

- 3) Calculate R3 for the desired amount of hysteresis, where V<sub>L</sub> is the lower trip point:

$$R3 = R2 \times \frac{(V_+ - V_{TH})}{(V_U - V_L)} = R2 \times \frac{(V_+ - 1.15V)}{(V_U - V_L)}$$

or, if V<sub>+</sub> = V<sub>IN</sub>:

$$R3 = R2 \times \frac{(V_L - V_{TH})}{(V_U - V_L)} = R2 \times \frac{(V_L - 1.15V)}{(V_U - V_L)}$$

Figure 5 shows an alternate circuit, suitable only when the voltage being detected is also the power-supply voltage for the MAX8211 or MAX8212.

Calculate resistor values for Figure 5 as follows:

- 1) Choose a value for R1. Typical values are in the 10kΩ to 10MΩ range.
- 2) Calculate R2:

$$R2 = R1 \times \frac{(V_L - V_{TH})}{V_{TH}} = R1 \times \frac{(V_L - 1.15V)}{1.15V}$$

- 3) Calculate R3:

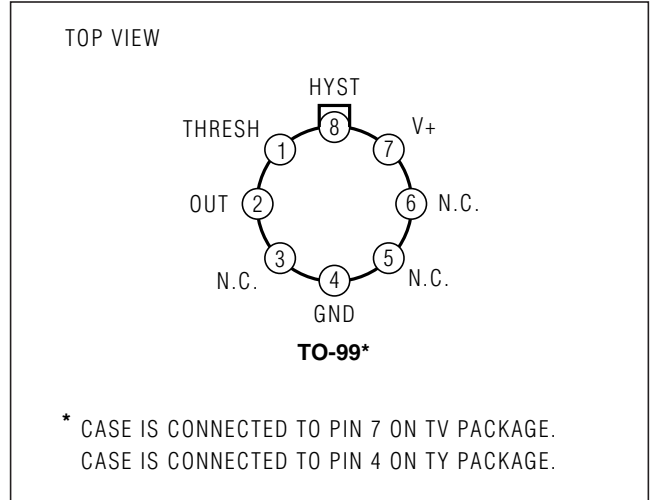
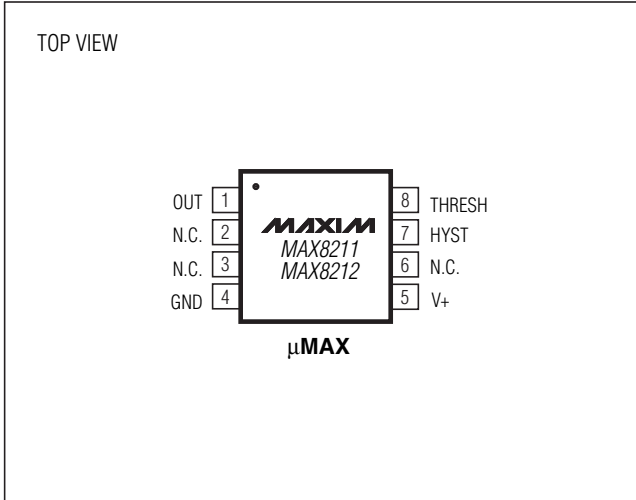
$$R3 = R1 \times \frac{(V_U - V_L)}{1.15V}$$

### Low-Voltage Detector for Logic Supply

The circuit of Figure 5 will detect when a 5.0V (nominal) supply goes below 4.5V, which is the V<sub>MIN</sub> normally specified in logic systems. The selected resistor values ensure that false undervoltage alarms will not be generated, even with worst-case threshold trip values and resistor tolerances. R3 provides approximately 75mV of hysteresis.

# Microprocessor Voltage Monitors with Programmable Voltage Detection

## Pin Configurations (continued)



## Ordering Information (continued)

PART	TEMP RANGE	PIN-PACKAGE
MAX8211MSA/PR	-55°C to +125°C	8 SO**
MAX8211MSA/PR-T	-55°C to +125°C	8 SO**
MAX8211MTV	-55°C to +125°C	8 TO-99**
<b>MAX8212CPA</b>	-0°C to +70°C	8 Plastic DIP
MAX8212CSA	-0°C to +70°C	8 SO
MAX8212CUA	-0°C to +70°C	8 μMAX
MAX8212CTY	-0°C to +70°C	8 TO-99
MAX8212EPA	-40°C to +85°C	8 Plastic DIP
MAX8212ESA	-40°C to +85°C	8 SO
MAX8212EJA	-40°C to +85°C	8 CERDIP
MAX8212ETY	-40°C to +85°C	8 TO-99
MAX8212MJA	-55°C to +125°C	8 CERDIP**
MAX8212MSA/PR	-55°C to +125°C	8 SO**
MAX8212MSA/PR-T	-55°C to +125°C	8 SO**
MAX8212MTV	-55°C to +125°C	8 TO-99**

\*Contact factory for dice specifications.

\*\*Contact factory for availability and processing to MIL-STD-883.

## Package Information

For the latest package outline information and land patterns, go to [www.maxim-ic.com/packages](http://www.maxim-ic.com/packages).

PACKAGE TYPE	PACKAGE CODE	DOCUMENT NO.
8 CERDIP	J8-2	<a href="#">21-0045</a>
8 Plastic DIP	P8-1	<a href="#">21-0043</a>
8 SO	S8-2	<a href="#">21-0041</a>
8 TO-99	T99-8	<a href="#">21-0022</a>
8 μMAX	U8-1	<a href="#">21-0036</a>

# Microprocessor Voltage Monitors with Programmable Voltage Detection

## Revision History

REVISION NUMBER	REVISION DATE	DESCRIPTION	PAGES CHANGED
0	1/91	Initial release	—
4	9/02	Updated Figure 5.	5
5	9/08	Updated <i>Ordering Information</i> .	1, 6

MAX8211/MAX8212

Maxim cannot assume responsibility for use of any circuitry other than circuitry entirely embodied in a Maxim product. No circuit patent licenses are implied. Maxim reserves the right to change the circuitry and specifications without notice at any time.

7 **Maxim Integrated Products, 120 San Gabriel Drive, Sunnyvale, CA 94086 (408) 737-7600**

© 2008 Maxim Integrated Products

**MAXIM** is a registered trademark of Maxim Integrated Products, Inc.

# Mouser Electronics

Authorized Distributor

Click to View Pricing, Inventory, Delivery & Lifecycle Information:

## Maxim Integrated:

[MAX8211CPA+](#) [MAX8211CSA+](#) [MAX8211ESA+](#) [MAX8212CPA+](#) [MAX8211CSA+T](#) [MAX8211EPA+](#)  
[MAX8211ESA+T](#) [MAX8212CSA+T](#) [MAX8212EPA+](#) [MAX8212ESA+](#) [MAX8212ESA+T](#) [MAX8211MTV/883B](#)  
[MAX8211MSA/PR](#) [MAX8212MSA/PR](#) [MAX8211MSA/PR-T](#) [MAX8211MFB/883B](#) [MAX8212MTV/883B](#) [MAX8211MTY](#)  
[MAX8212MJA/883B](#) [MAX8212MJA](#) [5962-9081101MGC](#) [5962-9081102MGC](#) [MAX8212MTV](#) [MAX8211CUA+](#)  
[MAX8212ESA-T](#) [MAX8211ESA-T](#) [MAX8211CUA](#)