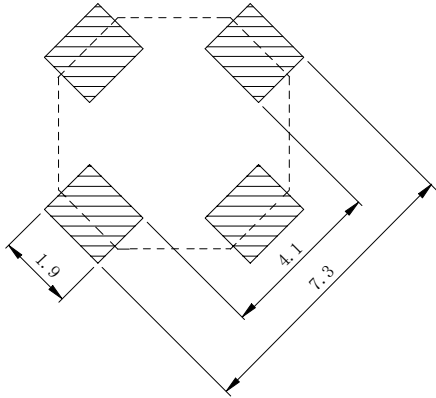
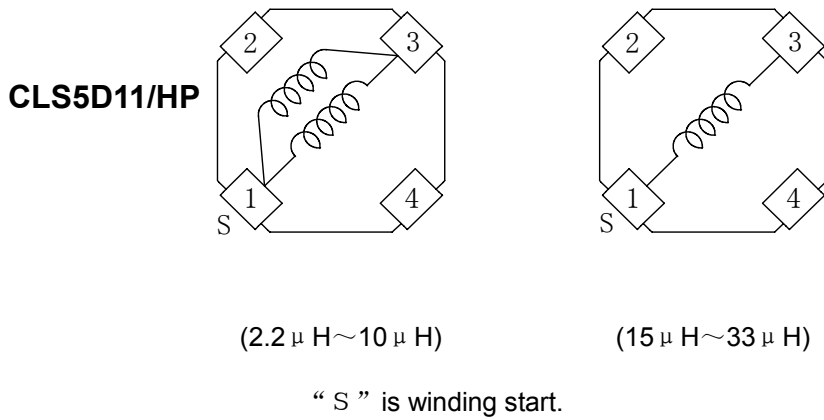
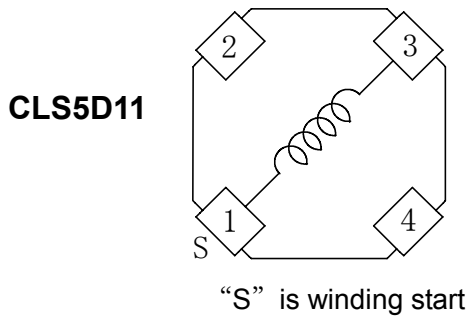


Type: CLS5D11, CLS5D11/HP

◆ Land Pattern (mm)



◆ Schematics(Bottom)



Type: CLS5D11, CLS5D11/HP
◆ Specification(CLS5D11)

| Part Name ※ | Stamp | Inductance (μ H) [Within] 100kHz/1V | D.C.R.(m Ω) Max.(Typ.) (at 20°C) | Saturation current (mA) (at 20°C)※1 | Temperature rise current (mA) ※2 |
|-----------------------------|-------|--|--|---|--|
| CLS5D11NP-4R7N□ | 4R7 | 4.7 \pm 30% | 120(95) | 1100 | 1100 |
| CLS5D11NP-6R8N□ | 6R8 | 6.8 \pm 30% | 160(130) | 950 | 900 |
| CLS5D11NP-10 \emptyset N□ | 100 | 10 \pm 30% | 210(170) | 830 | 800 |
| CLS5D11NP-15 \emptyset N□ | 150 | 15 \pm 30% | 310(250) | 700 | 650 |
| CLS5D11NP-22 \emptyset N□ | 220 | 22 \pm 30% | 450(360) | 570 | 530 |
| CLS5D11NP-33 \emptyset N□ | 330 | 33 \pm 30% | 620(500) | 450 | 420 |
| CLS5D11NP-470N□ | 470 | 47 \pm 30% | 930(750) | 380 | 350 |

◆ Specification(CLS5D11/HP)

| Part Name ※ | Stamp | Inductance [Within] 100kHz/1V | D.C.R.(m Ω) Max.(Typ.) (at 20°C) | Saturation current (mA) (at 20°C)※1 | Temperature rise current (mA) ※2 |
|-------------------------------|-------|-------------------------------------|--|---|--|
| CLS5D11HPNP-2R2N□ | 2R2 | 2.2 μ H \pm 30% | 70(55) | 2000 | 1700 |
| CLS5D11HPNP-3R0N□ | 3R0 | 3.0 μ H \pm 30% | 80(63) | 1900 | 1550 |
| CLS5D11HPNP-4R7N□ | 4R7 | 4.7 μ H \pm 30% | 120(95) | 1500 | 1100 |
| CLS5D11HPNP-6R8N□ | 6R8 | 6.8 μ H \pm 30% | 170(135) | 1300 | 950 |
| CLS5D11HPNP-10 \emptyset N□ | 100 | 10 μ H \pm 30% | 240(190) | 1000 | 750 |
| CLS5D11HPNP-15 \emptyset N□ | 150 | 15 μ H \pm 30% | 390(310) | 850 | 600 |
| CLS5D11HPNP-22 \emptyset N□ | 220 | 22 μ H \pm 30% | 560(450) | 650 | 450 |
| CLS5D11HPNP-33 \emptyset N□ | 330 | 33 μ H \pm 30% | 920(730) | 520 | 330 |

※ Description of Part Name

CLS5D11HPNP-2R2N□

- B Box
- C Carrier Tape

※1. Saturation current: The DC current at which the inductance decreases to 65% of it's nominal value.

 ※2. Temperature rise current: The DC current at which the temperature rise is $\Delta t=40^{\circ}\text{C}$. ($T_a=20^{\circ}\text{C}$).

Mouser Electronics

Authorized Distributor

Click to View Pricing, Inventory, Delivery & Lifecycle Information:

Sumida:

[CLS5D11NP-150NC](#) [CLS5D11HPNP-330NC](#) [CLS5D11NP-220NC](#) [CLS5D11HPNP-4R7NC](#) [CLS5D11NP-6R8NC](#)
[CLS5D11HPNP-6R8NC](#) [CLS5D11NP-470NC](#)