

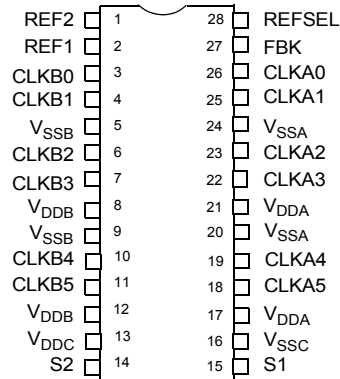
Contents

| | | | |
|---|-----------|--|-----------|
| Pin Configuration | 3 | Ordering Information | 15 |
| Pin Description | 4 | Ordering Code Definitions | 15 |
| Basic PLL Block Diagram | 5 | Package Drawing and Dimensions | 16 |
| Programmable Functions | 6 | Acronyms | 17 |
| Field Programming the CY23FP12 | 8 | Document Conventions | 17 |
| CyberClocks™ Software | 8 | Units of Measure | 17 |
| CY3672-USB Development Kit | 8 | Document History Page | 18 |
| CY23FP12 Frequency Calculation | 8 | Sales, Solutions, and Legal Information | 19 |
| Absolute Maximum Conditions | 9 | Worldwide Sales and Design Support | 19 |
| Operating Conditions | 9 | Products | 19 |
| DC Electrical Specifications | 10 | PSoC® Solutions | 19 |
| Thermal Resistance | 10 | Cypress Developer Community | 19 |
| Switching Characteristics | 11 | Technical Support | 19 |
| Switching Waveforms | 13 | | |
| Test Circuits | 14 | | |

Pin Configuration

Figure 1. 28-pin SSOP pinout

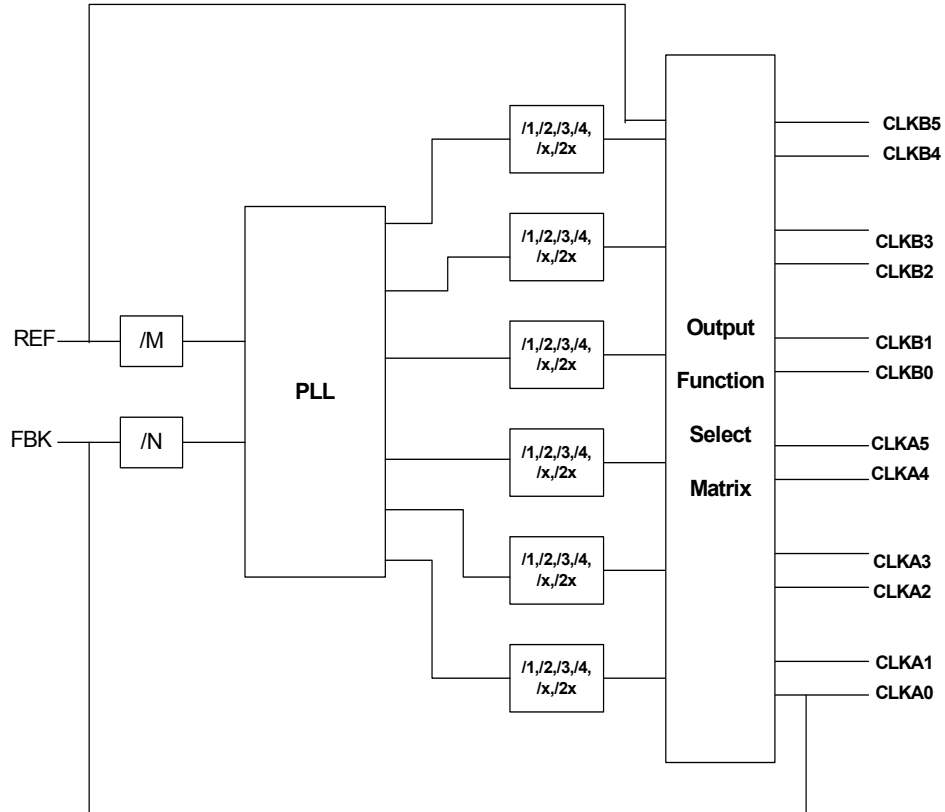
Top View



Pin Description

| Pin No. | Name | I/O | Type | Description |
|---------|------------------|-----|---------------|---|
| 1 | REF2 | I | LVTTTL/LVCMOS | Input reference frequency, 5 V tolerant input. |
| 2 | REF1 | I | LVTTTL/LVCMOS | Input reference frequency, 5 V tolerant input. |
| 3 | CLKB0 | O | LVTTTL | Clock output, Bank B. |
| 4 | CLKB1 | O | LVTTTL | Clock output, Bank B. |
| 5 | V _{SSB} | PWR | POWER | Ground for Bank B. |
| 6 | CLKB2 | O | LVTTTL | Clock output, Bank B. |
| 7 | CLKB3 | O | LVTTTL | Clock output, Bank B. |
| 8 | V _{DDB} | PWR | POWER | 2.5 V or 3.3 V supply, Bank B. |
| 9 | V _{SSB} | PWR | POWER | Ground for Bank B. |
| 10 | CLKB4 | O | LVTTTL | Clock output, Bank B. |
| 11 | CLKB5 | O | LVTTTL | Clock output, Bank B. |
| 12 | V _{DDB} | PWR | POWER | 2.5 V or 3.3 V supply, Bank B. |
| 13 | V _{DDC} | PWR | POWER | 3.3 V core supply. |
| 14 | S2 | I | LVTTTL | Select input. |
| 15 | S1 | I | LVTTTL | Select input. |
| 16 | V _{SSC} | PWR | POWER | Ground for core. |
| 17 | V _{DDA} | PWR | POWER | 2.5 V or 3.3 V supply, Bank A. |
| 18 | CLKA5 | O | LVTTTL | Clock output, Bank A. |
| 19 | CLKA4 | O | LVTTTL | Clock output, Bank A. |
| 20 | V _{SSA} | PWR | POWER | Ground for Bank A. |
| 21 | V _{DDA} | PWR | POWER | 2.5 V or 3.3 V supply Bank A. |
| 22 | CLKA3 | O | LVTTTL | Clock output, Bank A. |
| 23 | CLKA2 | O | LVTTTL | Clock output, Bank A. |
| 24 | V _{SSA} | PWR | POWER | Ground for Bank A. |
| 25 | CLKA1 | O | LVTTTL | Clock output, Bank A. |
| 26 | CLKA0 | O | LVTTTL | Clock output, Bank A. |
| 27 | FBK | I | LVTTTL | PLL feedback input. |
| 28 | REFSEL | I | LVTTTL | Reference select input. When REFSEL = 0, REF1 is selected. When REFSEL = 1, REF2 is selected. |

Basic PLL Block Diagram



Programmable Functions

The following table lists independent functions that can be programmed with a volume or prototype programmer on the “default” silicon.

Table 1. Programmable Functions

| Configuration | Description | Default |
|---------------------------------|--|-------------|
| DC Drive Bank A | Programs the drive strength of Bank A outputs. The user can select one out of two possible drive strength settings that produce output DC currents in the range of ± 16 mA to ± 20 mA. | ± 16 mA |
| DC Drive Bank B | Programs the drive strength of Bank B outputs. The user can select one out of two possible drive strength settings that produce output DC currents in the range of ± 16 mA to ± 20 mA. | ± 16 mA |
| Output Enable for Bank B clocks | Enables/Disables CLKB[5:0] outputs. Each of the six outputs can be disabled <i>individually</i> if not used, to minimize electromagnetic interference (EMI) and switching noise. | Enable |
| Output Enable for Bank A clocks | Enables/Disables CLKA[5:0] outputs. Each of the six outputs can be disabled <i>individually</i> if not used, to minimize EMI and switching noise. | Enable |
| Inv CLKA0 | Generates an inverted clock on the CLKA0 output. When this option is programmed, CLKA0 and CLKA1 will become complimentary pairs. | Non-invert |
| Inv CLKA2 | Generates an inverted clock on the CLKA2 output. When this option is programmed, CLKA2 and CLKA3 will become complimentary pairs. | Non-invert |
| Inv CLKA4 | Generates an inverted clock on the CLKA4 output. When this option is programmed, CLKA4 and CLKA5 will become complimentary pairs. | Non-invert |
| Inv CLKB0 | Generates an inverted clock on the CLKB0 output. When this option is programmed, CLKB0 and CLKB1 will become complimentary pairs. | Non-invert |
| Inv CLKB2 | Generates an inverted clock on the CLKB2 output. When this option is programmed, CLKB2 and CLKB3 will become complimentary pairs. | Non-invert |
| Inv CLKB4 | Generates an inverted clock on the CLKB4 output. When this option is programmed, CLKB4 and CLKB5 will become complimentary pairs. | Non-invert |
| Pull-down Enable | Enables/Disables internal pulldowns on all outputs | Enable |
| Fbk Pull-down Enable | Enables/Disables internal pulldowns on the feedback path (applicable to both internal and external feedback topologies) | Enable |
| Fbk Sel | Selects between the internal and the external feedback topologies | External |

Table 2 lists independent functions that can be assigned to each of the four S1 and S2 combinations. When a particular S1 and S2 combination is selected, the device assumes the configuration (which is essentially a set of functions given in Table 2) that has been preassigned to that particular combination.

Table 2. Programmable Functions for S1/S2 Combinations

| Function | Description | Default |
|-------------------------|---|-----------------------|
| Output Enable CLKB[5:4] | Enables/Disables CLKB[5:4] output pair | See Table 4 on page 8 |
| Output Enable CLKB[3:2] | Enables/Disables CLKB[3:2] output pair | See Table 4 on page 8 |
| Output Enable CLKB[1:0] | Enables/Disables CLKB[1:0] output pair | See Table 4 on page 8 |
| Output Enable CLKA[5:4] | Enables/Disables CLKA[5:4] output pair | See Table 4 on page 8 |
| Output Enable CLKA[3:2] | Enables/Disables CLKA[3:2] output pair | See Table 4 on page 8 |
| Output Enable CLKA[1:0] | Enables/Disables CLKA[1:0] output pair | See Table 4 on page 8 |
| Auto Power-down Enable | Enables/Disables the auto power down circuit, which monitors the reference clock rising edges and shuts down the device in case of a reference “failure.” This failure is triggered by a drift in reference frequency below a set limit. This auto power down circuit is disabled internally when one or more of the outputs are configured to be driven directly from the reference clock. | Enable |
| PLL Power-down | Shuts down the PLL when the device is configured as a non-PLL fanout buffer. | PLL Enabled |
| M[7:0] | Assigns an eight-bit value to reference divider –M. The divider can be any integer value from 1 to 256; however, the PLL input frequency cannot be lower than 10 MHz. | 2 |
| N[7:0] | Assigns an eight-bit value to feedback divider –N. The divider can be any integer value from 1 to 256; however, the PLL input frequency cannot be lower than 10 MHz. | 2 |
| X[6:0] | Assigns a seven-bit value to output divider –X. The divider can be any integer value from 5 to 130. Divide by 1,2,3, and 4 are preprogrammed on the device and can be activated by the appropriate output mux setting. | 1 |
| Divider Source | Selects between the PLL output and the reference clock as the source clock for the output dividers. | See Table 4 on page 8 |
| CLKA54 Source | Independently selects one out of the eight possible output dividers that will connect to the CLKA5 and CLKA4 pair. Please refer to Table 3 on page 8 for a list of divider values. | Divide by 2 |
| CLKA32 Source | Independently selects one out of the eight possible output dividers that will connect to the CLKA3 and CLKA2 pair. Please refer to Table 3 on page 8 for a list of divider values. | Divide by 2 |
| CLKA10 Source | Independently selects one out of the eight possible output dividers that will connect to the CLKA1 and CLKA0 pair. Please refer to Table 3 on page 8 for a list of divider values. | Divide by 2 |
| CLKB54 Source | Independently selects one out of the eight possible output dividers that will connect to the CLKB5 and CLKB4 pair. Please refer to Table 3 on page 8 for a list of divider values. | Divide by 2 |
| CLKB32 Source | Independently selects one out of the eight possible output dividers that will connect to the CLKB3 and CLKB2 pair. Please refer to Table 3 on page 8 for a list of divider values. | Divide by 2 |
| CLKB10 Source | Independently selects one out of the eight possible output dividers that will connect to the CLKB1 and CLKB0 pair. Please refer to Table 3 on page 8 for a list of divider values. | Divide by 2 |

Table 3 is a list of output dividers that are independently selected to connect to each output pair.

In the default (unprogrammed) state of the device, S1 and S2 pins will function as indicated in Table 4.

Table 3. Output Dividers

| CLKA/B Source | Output Connects To |
|---------------|--|
| 0 [000] | REF |
| 1 [001] | Divide by 1 |
| 2 [010] | Divide by 2 |
| 3 [011] | Divide by 3 |
| 4 [100] | Divide by 4 |
| 5 [101] | Divide by X |
| 6 [110] | Divide by 2X ^[1] |
| 7 [111] | TEST mode [LOCK signal] ^[2] |

Table 4. S1/S2 Default Functionality

| S2 | S1 | CLKA[5:0] | CLKB[5:0] | Divider Source |
|----|----|-------------|-------------|----------------|
| 0 | 0 | Three-state | Three-state | PLL |
| 0 | 1 | Driven | Three-state | PLL |
| 1 | 0 | Driven | Driven | Reference |
| 1 | 1 | Driven | Driven | PLL |

Field Programming the CY23FP12

The CY23FP12 must be programmed in a device programmer prior to being installed in a circuit. The CY23FP12 is based on flash technology, so it can be reprogrammed up to 100 times. This enables fast and easy design changes and product updates, and eliminates any issues with old and out-of-date inventory.

Samples and small prototype quantities can be programmed on the CY3672-USB programmer. Cypress's value-added distribution partners and third-party programming systems from BP Microsystems, HiLo Systems, and others are available for large production quantities.

CyberClocks™ Software

CyberClocks is an easy-to-use software application that allows the user to custom-configure the CY23FP12. Users can specify the REF frequency, PLL frequency, output frequencies and/or post-dividers, and different functional options. CyberClocks outputs an industry standard JEDEC file used for programming the CY23FP12.

CyberClocks can be downloaded free of charge from the Cypress website at www.cypress.com.

CY3672-USB Development Kit

The Cypress CY3672-USB Development Kit, in combination with the CY3692 Socket Adapter, is used to program samples and small prototype quantities of the CY23FP12. This portable programmer connects to a PC via a USB interface.

CY23FP12 Frequency Calculation

The CY23FP12 is an extremely flexible clock buffer with up to twelve individual outputs, generated from an integrated PLL. Four variables are used to determine the final output frequency. These are the input Reference Frequency, the M and N dividers, and the post divider.

The basic PLL block diagram is shown in [Basic PLL Block Diagram](#) on page 5. Each of the six clock output pairs has many post divider options available to it. There are six post divider options: /1, /2, /3, /4, /X, and /2X. X is a programmable value between 5 and 130, and 2X is twice that value. The post divider options can be applied to the calculated PLL frequency or to the REF directly. The feedback is connected either internally to CLKA0 or externally to any output.

A programmable divider, M, is inserted between the reference input, REF, and the phase detector. The divider M can be any integer 1 to 256. The PLL input frequency cannot be lower than 10 MHz or higher than 200 MHz.

A programmable divider, N, is inserted between the feedback input, FBK, and the phase detector. The divider N can be any integer 1 to 256. The PLL input frequency cannot be lower than 10 MHz or higher than 200 MHz.

The output can be calculated as follows:

$$F_{REF} / M = F_{FBK} / N.$$

$$F_{PLL} = (F_{REF} \times N \times \text{post divider}) / M.$$

$$F_{OUT} = F_{PLL} / \text{post divider}.$$

In addition to above divider options, the following option bypasses the PLL and passes the REF directly to the output.

$$F_{OUT} = F_{REF}.$$

Notes

- Outputs will be rising edge aligned only to those outputs using this same device setting.
- When the source of an output pair is set to [111], the output pair becomes lock indicator signal. For example, if the source of an output pair (CLKA0, CLKA1) is set to [111], the CLKA0 and CLKA1, becomes lock indicator signals. In non-invert mode, CLKA0 and CLKA1 signals will be high when the PLL is in lock mode. If CLKA0 is in an invert mode, the CLKA0 will be low and the CLKA1 will be high when the PLL is in lock mode.

Absolute Maximum Conditions

Exceeding maximum ratings may shorten the useful life of the device. User guidelines are not tested.

| Parameter | Description | Condition | Min | Max | Unit |
|-------------------|-----------------------------------|-----------------------------|---------|-----------------------|-------|
| V _{DD} | Supply voltage | Non-functional | -0.5 | 7 | VDC |
| V _{IN} | Input voltage REF | Relative to V _{CC} | -0.5 | V _{DD} + 0.5 | VDC |
| V _{IN} | Input voltage except REF | Relative to V _{CC} | -0.5 | V _{DD} + 0.5 | VDC |
| LU _I | Latch-up immunity | Functional | 300 | | mA |
| T _S | Temperature, storage | Non-functional | -65 | 125 | °C |
| T _J | Junction temperature | | - | 125 | °C |
| ESD _h | ESD protection (Human body model) | | 2000 | | V |
| M _{SL} | Moisture sensitivity level | | MSL - 3 | | class |
| G _{ATES} | Total functional gate count | Assembled Die | 21375 | | each |
| UL-94 | Flammability rating | At 1/8 in. | V-0 | | class |
| FIT | Failure in time | Manufacturing test | 10 | | ppm |

Operating Conditions

| Parameter | Description | Test Conditions | Min | Max | Unit |
|-------------------------------------|---|------------------------|-------|-------|------|
| V _{DDC} | Core supply voltage | | 3.135 | 3.465 | V |
| V _{DDA} , V _{ddb} | Bank A, Bank B supply voltage | | 3.135 | 3.465 | V |
| | | | 2.375 | 2.625 | V |
| T _A | Temperature, operating ambient | Commercial temperature | 0 | 70 | °C |
| | | Industrial temperature | -40 | 85 | |
| t _{PU} | Power-up time for all V _{DDs} to reach minimum specified voltage (power ramps must be monotonic) | | 0.05 | 500 | ms |

DC Electrical Specifications

| Parameter | Description | Test Conditions | Min | Typ | Max | Unit |
|-----------|------------------------------------|---|---------------------|-----|---------------------|---------------|
| V_{IL} | Input LOW voltage ^[3] | | – | – | $0.3 \times V_{DD}$ | V |
| V_{IH} | Input HIGH voltage ^[3] | | $0.7 \times V_{DD}$ | – | – | V |
| I_{IL} | Input LOW current ^[3] | $V_{IN} = 0\text{ V}$ | – | – | 50 | μA |
| I_{IH} | Input HIGH current ^[3] | $V_{IN} = V_{DD}$ | – | – | 50 | μA |
| V_{OL} | Output LOW voltage ^[4] | $V_{DDA}/V_{DDB} = 3.3\text{ V}$, $I_{OL} = 16\text{ mA}$ (standard drive) $V_{DDA}/V_{DDB} = 3.3\text{ V}$, $I_{OL} = 20\text{ mA}$ (high drive) $V_{DDA}/V_{DDB} = 2.5\text{ V}$, $I_{OL} = 16\text{ mA}$ (high drive) | – | – | 0.5 | V |
| V_{OH} | Output HIGH voltage ^[4] | $V_{DDA}/V_{DDB} = 3.3\text{ V}$, $I_{OH} = -16\text{ mA}$ (standard drive) $V_{DDA}/V_{DDB} = 3.3\text{ V}$, $I_{OH} = -20\text{ mA}$ (high drive) $V_{DDA}/V_{DDB} = 2.5\text{ V}$, $I_{OH} = -16\text{ mA}$ (high drive) | $V_{DD} - 0.5$ | – | – | V |
| I_{DDS} | Power-down supply current | REF = 0 MHz | – | 12 | 50 | μA |
| I_{DD} | Supply current | $V_{DDA} = V_{DDB} = 2.5\text{ V}$, Unloaded outputs at 166 MHz | – | 40 | 65 | mA |
| | | $V_{DDA} = V_{DDB} = 2.5\text{ V}$, Loaded outputs at 166 MHz, $C_L = 15\text{ pF}$ | – | 65 | 100 | |
| | | $V_{DDA} = V_{DDB} = 3.3\text{ V}$, Unloaded outputs at 166 MHz | – | 50 | 80 | |
| | | $V_{DDA} = V_{DDB} = 3.3\text{ V}$, Loaded outputs at 166 MHz, $C_L = 15\text{ pF}$ | – | 100 | 120 | |

Thermal Resistance

| Parameter ^[5] | Description | Test Conditions | 28-pin SSOP | Unit |
|--------------------------|--|---|-------------|-----------------------------|
| θ_{JA} | Thermal resistance (junction to ambient) | Test conditions follow standard test methods and procedures for measuring thermal impedance, in accordance with EIA/JESD51. | 65 | $^{\circ}\text{C}/\text{W}$ |
| θ_{JC} | Thermal resistance (junction to case) | | 30 | $^{\circ}\text{C}/\text{W}$ |

Notes

- Applies to both REF Clock and FBK.
- Parameter is guaranteed by design and characterization. Not 100% tested in production.
- These parameters are guaranteed by design and are not tested.

Switching Characteristics

| Parameter ^[6] | Description | Test Conditions | Min | Typ | Max | Unit |
|--------------------------|------------------------------------|--|-----|-----|-------|------|
| f _{REF} | Reference frequency ^[7] | Commercial temperature | 10 | – | 200 | MHz |
| | | Industrial temperature | 10 | – | 166.7 | |
| ER _{REF} | Reference edge rate | | 1 | – | – | V/ns |
| DC _{REF} | Reference duty cycle | | 25 | – | 75 | % |
| f _{OUT} | Output frequency ^[8] | C _L = 15 pF, Commercial temperature | 10 | – | 200 | MHz |
| | | C _L = 15 pF, Industrial temperature | 10 | – | 166.7 | |
| | | C _L = 30 pF, Commercial temperature | 10 | – | 100 | |
| | | C _L = 30 pF, Industrial temperature | 10 | – | 83.3 | |
| DC _{OUT} | Output duty cycle ^[6] | V _{DDA/B} = 3.3 V, measured at V _{DD} /2 | 45 | 50 | 55 | % |
| | | V _{DDA/B} = 2.5 V, measured at V _{DD} /2 | 40 | 50 | 60 | |
| t ₃ | Rise time ^[6] | V _{DDA/B} = 3.3 V, 0.8 V to 2.0 V, C _L = 30 pF (standard drive and high drive) | – | – | 1.6 | ns |
| | | V _{DDA/B} = 3.3 V, 0.8 V, 10 V to 2.0 V, C _L = 15 pF (standard drive and high drive) | – | – | 0.8 | |
| | | V _{DDA/B} = 2.5 V, 0.6 V to 1.8 V, C _L = 30 pF (high drive only) | – | – | 2.0 | |
| | | V _{DDA/B} = 2.5 V, 0.6 V to 1.8 V, C _L = 15 pF (high drive only) | – | – | 1.0 | |
| t ₄ | Fall time ^[6] | V _{DDA/B} = 3.3 V, 0.8 V to 2.0 V, C _L = 30 pF (standard drive and high drive) | – | – | 1.6 | ns |
| | | V _{DDA/B} = 3.3 V, 0.8 V to 2.0 V, C _L = 15 pF (standard drive and high drive) | – | – | 0.8 | |
| | | V _{DDA/B} = 2.5 V, 0.6 V to 1.8 V, C _L = 30 pF (high drive only) | – | – | 1.6 | |
| | | V _{DDA/B} = 2.5 V, 0.6 V to 1.8 V, C _L = 15 pF (high drive only) | – | – | 0.8 | |

Notes

- All parameters are specified with loaded outputs.
- When the device is configured as a non-PLL fanout buffer (PLL Power-down enabled), the reference frequency can be lower than 10 MHz. With auto power-down disabled and PLL power-down enabled, the reference frequency can be as low as DC level.
- When the device is configured as a non-PLL fanout buffer (PLL Power-down enabled), the output frequency can be lower than 10 MHz. With auto power-down disabled and PLL power-down enabled, the output frequency can be as low as DC level.

Switching Characteristics (continued)

| Parameter ^[6] | Description | Test Conditions | Min | Typ | Max | Unit |
|--------------------------|---|--|-----|---------------------|-----|------|
| TTB | Total timing budget ^[9, 10] , Bank A and B same frequency | Outputs at 200 MHz, tracking skew not included | – | – | 650 | ps |
| | Total timing budget, Bank A and B different frequency | | – | – | 850 | |
| t ₅ | Output to output skew ^[11] | All outputs equally loaded | – | 35 ^[12] | 200 | ps |
| | Bank to bank skew | Same frequency | – | – | 200 | |
| | Bank to bank skew | Different frequency | – | – | 400 | |
| | Bank to bank skew | Different voltage, same frequency | – | – | 400 | |
| t ₆ | Input to output skew (static phase offset) ^[11] | Measured at V _{DD} /2, REF to FBK | – | 0 | 250 | ps |
| t ₇ | Device-to-device skew ^[11] | Measured at V _{DD} /2 | – | 0 | 500 | ps |
| t _J | Cycle-to-cycle jitter ^[11] (Peak) | Banks A and B at same frequency | – | 110 ^[13] | 200 | ps |
| | Cycle-to-cycle jitter ^[11] (Peak) | Banks A and B at different frequencies | – | – | 400 | |
| t _{TSK} | Tracking skew | Input reference clock at < 50 KHz modulation with ±3.75% spread | – | – | 200 | ps |
| t _{LOCK} | PLL lock time ^[11] | Stable power supply, valid clock at REF | – | – | 1.0 | ms |
| t _{LD} | Inserted loop delay | Max loop delay for PLL Lock (stable frequency) | – | – | 7 | ns |
| | | Max loop delay to meet Tracking Skew Spec | – | – | 4 | ns |

Notes

9. Guaranteed by statistical correlation. Tested initially and after any design or process changes that may affect these parameters.
10. TTB is the window between the earliest and the latest output clocks with respect to the input reference clock across variations in output frequency, supply voltage, operating temperature, input clock edge rate, and process. The measurements are taken with the AC test load specified and include output-output skew, cycle-cycle jitter, and dynamic phase error. TTB will be equal to or smaller than the maximum specified value at a given frequency.
11. All parameters are specified with loaded outputs.
12. Same frequency, 15 pF load, high drive.
13. Same frequency, 15 pF load, low drive.

Switching Waveforms

Figure 2. Duty Cycle Timing

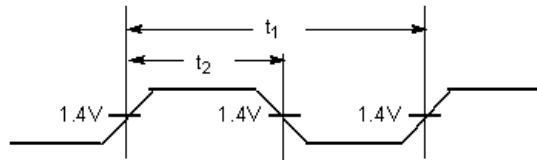


Figure 3. All Outputs Rise/Fall Time

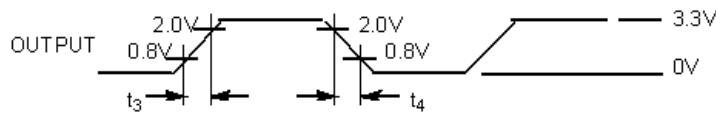


Figure 4. Output-Output Skew

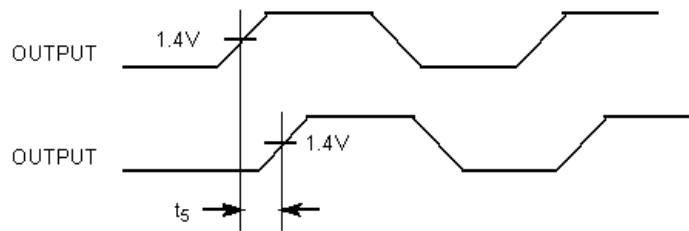


Figure 5. Input-Output Propagation Delay

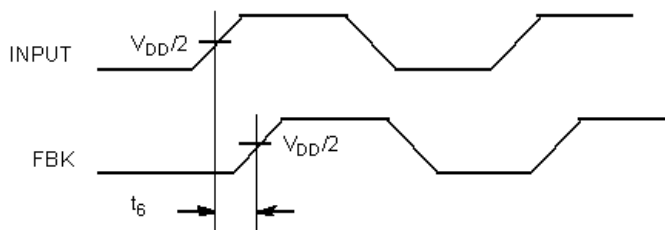
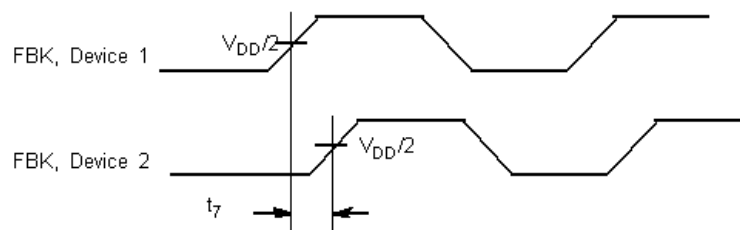
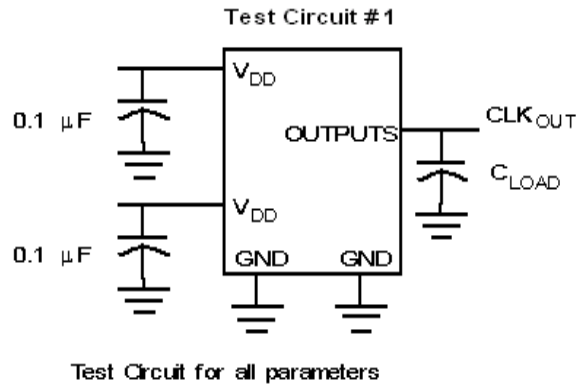


Figure 6. Device-Device Skew



Test Circuits

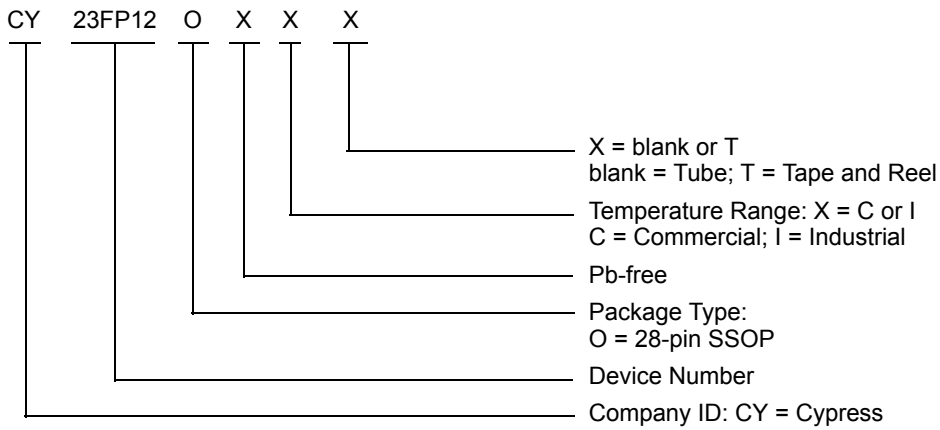
Figure 7. Test Circuits



Ordering Information

| Ordering Code | Package Type | Operating Range |
|-------------------|---|-----------------------------|
| Pb-free | | |
| CY23FP12OXC | 28-pin SSOP | Commercial, 0 °C to 70 °C |
| CY23FP12OXCT | 28-pin SSOP – Tape and Reel | Commercial, 0 °C to 70 °C |
| CY23FP12OXI | 28-pin SSOP | Industrial, –40 °C to 85 °C |
| CY23FP12OXIT | 28-pin SSOP – Tape and Reel | Industrial, –40 °C to 85 °C |
| Programmer | | |
| CY3672-USB | Programmer with USB Interface | |
| CY3692 | CY23FP12 Socket Adapter for CY3672-USB Programmer (Labeled CY3672 ADP006) | |

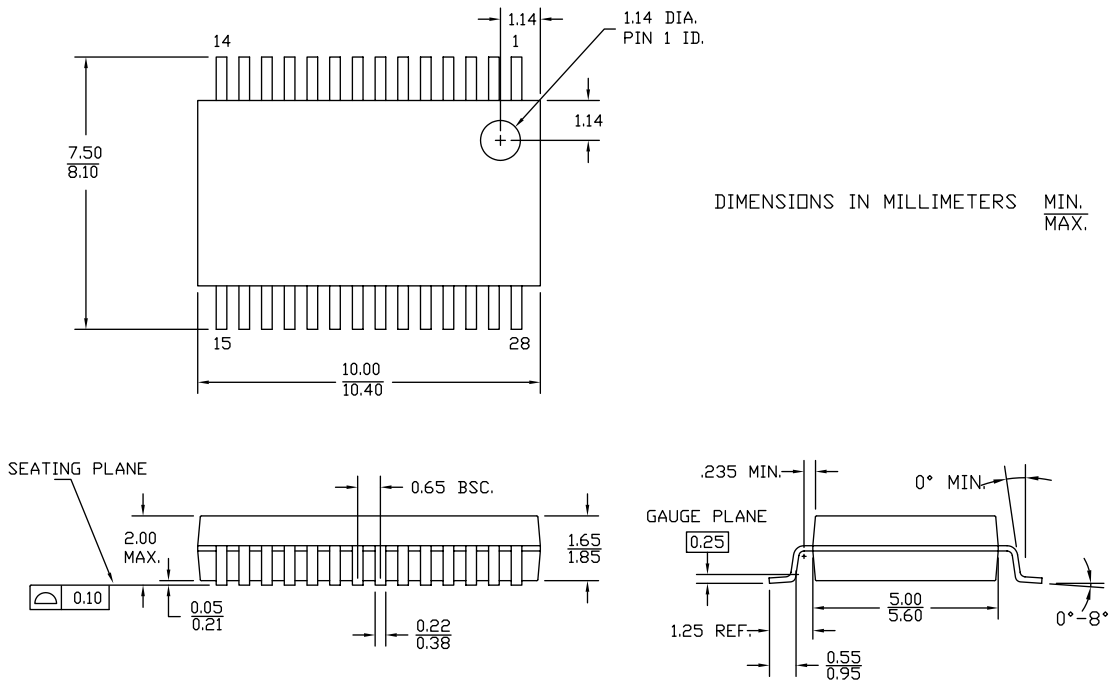
Ordering Code Definitions



Package Drawing and Dimensions

Figure 8. 28-pin SSOP (210 Mils) Package Outline, 51-85079

28 Lead (5.3mm) SSOP



51-85079 *F

Acronyms

| Acronym | Description |
|---------|---|
| DCXO | Digitally Controlled Crystal Oscillator |
| ESD | Electrostatic Discharge |
| PLL | Phase Locked Loop |
| RMS | Root Mean Square |
| SSOP | Shrunk Small Outline Package |
| XTAL | Crystal |

Document Conventions

Units of Measure

| Symbol | Unit of Measure |
|--------|-----------------|
| °C | degree Celsius |
| MHz | megahertz |
| μA | microampere |
| mA | milliampere |
| ms | millisecond |
| ns | nanosecond |
| pF | picofarad |
| ps | picosecond |
| V | volt |

Document History Page

| Document Title: CY23FP12, 200 MHz Field Programmable Zero Delay Buffer | | | | |
|--|---------|-----------------|-----------------|--|
| Document Number: 38-07246 | | | | |
| Revision | ECN | Submission Date | Orig. of Change | Description of Change |
| ** | 115158 | 07/03/02 | HWT | New data sheet. |
| *A | 121880 | 12/14/02 | RBI | Power-up requirements added to Absolute Maximum Ratings information |
| *B | 124523 | 03/19/03 | RGL | Final data sheet Changed title to "200 MHz Field Programmable Zero Delay Buffer" |
| *C | 126938 | 06/16/03 | RGL | Interchanged REF2 in the Pin Configuration diagram Replaced all divide by 2 default value to divide by 2 in Table 2 Fixed the formula in the Frequency Calculation section |
| *D | 129364 | 09/10/03 | RGL | Changed the CyClocksRT trademark to CyberClocks Added Note 2 in the TEST mode in Table 3 Added T _{LD} specifications in the Switching Characteristics table |
| *E | 299718 | See ECN | RGL | Added lead-free devices Added typical values |
| *F | 2865396 | 01/25/2010 | KVM | Added captions to tables 1-4. Added Operating Conditions table. Various edits to text. Removed "FTG" from text about the CY3672 programmer. Specified separate commercial and industrial max values for f _{REF} Removed part numbers CY23FP12OC, CY23FP12OCT, CY23FP12OI and CY23FP12OIT. Changed part number CY3672 to CY3672-USB. Updated package drawing. Updated to new template. |
| *G | 3146083 | 01/18/11 | BASH | Modified V _{IN} max value from 7 to V _{DD} + 0.5 in "Absolute Maximum Conditions" on page 8. Added Ordering Code Definitions under Ordering Information . Added Acronyms and Units of Measure . |
| *H | 4291450 | 02/25/2014 | CINM | Updated Package Drawing and Dimensions : spec 51-85079 – Changed revision from *D to *E. Updated to new template. Completing Sunset Review. |
| *I | 4580603 | 11/26/2014 | AJU | Updated Functional Description : Added "For a complete list of related documentation, click here ." at the end. |
| *J | 5276049 | 05/27/2016 | PSR | Updated Absolute Maximum Conditions : Removed ØJc, ØJa parameters and their details. Changed value of M _{SL} parameter from "MSL – 1" to "MSL – 3". Added Thermal Resistance . Updated Package Drawing and Dimensions : spec 51-85079 – Changed revision from *E to *F. Updated to new template. |
| *K | 5663650 | 03/17/2017 | PAWK | Updated to new template. Completing Sunset Review. |

Sales, Solutions, and Legal Information

Worldwide Sales and Design Support

Cypress maintains a worldwide network of offices, solution centers, manufacturer's representatives, and distributors. To find the office closest to you, visit us at [Cypress Locations](#).

Products

| | |
|-------------------------------|--|
| ARM® Cortex® Microcontrollers | cypress.com/arm |
| Automotive | cypress.com/automotive |
| Clocks & Buffers | cypress.com/clocks |
| Interface | cypress.com/interface |
| Internet of Things | cypress.com/iot |
| Memory | cypress.com/memory |
| Microcontrollers | cypress.com/mcu |
| PSoC | cypress.com/psoc |
| Power Management ICs | cypress.com/pmic |
| Touch Sensing | cypress.com/touch |
| USB Controllers | cypress.com/usb |
| Wireless Connectivity | cypress.com/wireless |

PSoC® Solutions

[PSoC 1](#) | [PSoC 3](#) | [PSoC 4](#) | [PSoC 5LP](#)

Cypress Developer Community

[Forums](#) | [WICED IOT Forums](#) | [Projects](#) | [Video](#) | [Blogs](#) | [Training](#) | [Components](#)

Technical Support

cypress.com/support

© Cypress Semiconductor Corporation, 2002-2017. This document is the property of Cypress Semiconductor Corporation and its subsidiaries, including Spansion LLC ("Cypress"). This document, including any software or firmware included or referenced in this document ("Software"), is owned by Cypress under the intellectual property laws and treaties of the United States and other countries worldwide. Cypress reserves all rights under such laws and treaties and does not, except as specifically stated in this paragraph, grant any license under its patents, copyrights, trademarks, or other intellectual property rights. If the Software is not accompanied by a license agreement and you do not otherwise have a written agreement with Cypress governing the use of the Software, then Cypress hereby grants you a personal, non-exclusive, nontransferable license (without the right to sublicense) (1) under its copyright rights in the Software (a) for Software provided in source code form, to modify and reproduce the Software solely for use with Cypress hardware products, only internally within your organization, and (b) to distribute the Software in binary code form externally to end users (either directly or indirectly through resellers and distributors), solely for use on Cypress hardware product units, and (2) under those claims of Cypress's patents that are infringed by the Software (as provided by Cypress, unmodified) to make, use, distribute, and import the Software solely for use with Cypress hardware products. Any other use, reproduction, modification, translation, or compilation of the Software is prohibited.

TO THE EXTENT PERMITTED BY APPLICABLE LAW, CYPRESS MAKES NO WARRANTY OF ANY KIND, EXPRESS OR IMPLIED, WITH REGARD TO THIS DOCUMENT OR ANY SOFTWARE OR ACCOMPANYING HARDWARE, INCLUDING, BUT NOT LIMITED TO, THE IMPLIED WARRANTIES OF MERCHANTABILITY AND FITNESS FOR A PARTICULAR PURPOSE. To the extent permitted by applicable law, Cypress reserves the right to make changes to this document without further notice. Cypress does not assume any liability arising out of the application or use of any product or circuit described in this document. Any information provided in this document, including any sample design information or programming code, is provided only for reference purposes. It is the responsibility of the user of this document to properly design, program, and test the functionality and safety of any application made of this information and any resulting product. Cypress products are not designed, intended, or authorized for use as critical components in systems designed or intended for the operation of weapons, weapons systems, nuclear installations, life-support devices or systems, other medical devices or systems (including resuscitation equipment and surgical implants), pollution control or hazardous substances management, or other uses where the failure of the device or system could cause personal injury, death, or property damage ("Unintended Uses"). A critical component is any component of a device or system whose failure to perform can be reasonably expected to cause the failure of the device or system, or to affect its safety or effectiveness. Cypress is not liable, in whole or in part, and you shall and hereby do release Cypress from any claim, damage, or other liability arising from or related to all Unintended Uses of Cypress products. You shall indemnify and hold Cypress harmless from and against all claims, costs, damages, and other liabilities, including claims for personal injury or death, arising from or related to any Unintended Uses of Cypress products.

Cypress, the Cypress logo, Spansion, the Spansion logo, and combinations thereof, PSoC, CapSense, EZ-USB, F-RAM, and Traveo are trademarks or registered trademarks of Cypress in the United States and other countries. For a more complete list of Cypress trademarks, visit cypress.com. Other names and brands may be claimed as property of their respective owners.

Mouser Electronics

Authorized Distributor

Click to View Pricing, Inventory, Delivery & Lifecycle Information:

[Cypress Semiconductor:](#)

[CY23FP12OXI](#)