

PolySwitch Resettable Devices

Radial-Leaded Devices

Application Selection Guide

The guide below lists PolySwitch radial-leaded devices that are typically used in each of the applications described.

Specifications for the suggested device part numbers can be found in this section.

Once a part number has been selected, the user should evaluate and test each product for its intended application.

| Protection Application | PolySwitch Resettable Devices – Key Selection Criteria | | |
|---|--|------------------|------------------------------|
| | Small Size | Flatter Derating | Lower Current Higher Voltage |
| Electromagnetic Loads | RGEF (<16V), RUEF (<30V) | RHEF (<16V) | RXEF (<72V), RKEF (<60V) |
| Halogen Lighting | RGEF (<16V), RUEF (<30V) | RHEF (<16V) | RXEF (<72V), RKEF (<60V) |
| Lighting Ballast | RXEF (<72V) | | |
| Loudspeakers | RXEF (<72V) | | RXEF (<72V), RKEF (<60V) |
| Medical Equipment | RGEF (<16V), RUEF (<30V) | RHEF (<16V) | RXEF (<72V), RKEF (<60V) |
| MOSFET Devices | RGEF (<16V), RUEF (<30V) | RHEF (<16V) | RXEF (<72V), RKEF (<60V) |
| Motors, Fans and Blowers | RXEF (<72V), RGEF (<16V) | RHEF (<16V) | |
| POS Equipment | RXEF (<72V), RUEF (<30V) | | |
| Process and Industrial Controls | RXEF (<72V), RUEF (<30V) | | |
| Satellite Video Receivers | RGEF (<16V), RUEF (<30V) | RHEF (<16V) | RXEF (<72V), RKEF (<60V) |
| Security and Fire Alarm Systems | RGEF (<16V), RUEF (<30V) | RHEF (<16V) | RXEF (<72V), RKEF (<60V) |
| Test and Measurement Equipment | RGEF (<16V), RUEF (<30V) | RHEF (<16V) | RXEF (<72V), RKEF (<60V) |
| Transformers | RGEF (<16V), RUEF (<30V) | RHEF (<16V) | RXEF (<72V), RKEF (<60V) |
| DDC Computer and Consumer Electronics | RUEF (<30V) | | |
| Mouse and Keyboard | RUEF (<30V) | | |
| SCSI | RUEF (<30V) | | |
| USB | RUSBF (<16V) | | |
| Traces and Printed Circuit Board Protection | RGEF (<16V), RUEF (<30V) | RHEF (<16V) | RXEF (<72V), RKEF (<60V) |

Note : This list is not exhaustive. Littelfuse welcomes customer input for additional application ideas for PolySwitch resettable devices.

Table R1 — Product Series - Current Rating, Voltage Rating/Typical Resistance

| Voltage Rating | RXEF 72V | RKEF 60V | RXEF 60V | RUEF 30V | RGEF 16V | RHEF 16V | RHEF 30V | RUSBF 16V | RUSBF 6V |
|-------------------------|-------------|-------------|-------------|-------------|-------------|-------------|-------------|--------------|-------------|
| Hold Current (A) | | | | | | | | | |
| 0.050 | — | — | 9.20Ω | — | — | — | — | — | — |
| 0.100 | — | — | 3.50Ω | — | — | — | — | — | — |
| 0.170 | — | — | 4.30Ω | — | — | — | — | — | — |
| 0.200 | 2.290Ω | — | — | — | — | — | — | — | — |
| 0.250 | 1.600Ω | — | — | — | — | — | — | — | — |
| 0.300 | 1.110Ω | — | — | — | — | — | — | — | — |
| 0.400 | 0.710Ω | — | — | — | — | — | — | — | — |
| 0.500 | 0.640Ω | 0.425Ω | — | — | — | — | 0.68Ω | — | — |
| 0.550 | — | — | — | — | — | — | — | — | — |
| 0.650 | 0.400Ω | 0.350Ω | — | — | — | — | — | — | — |
| 0.700 | — | — | — | — | — | — | 0.42Ω | — | — |
| 0.750 | 0.325Ω | 0.295Ω | — | — | — | — | — | — | 0.140Ω |
| 0.900 | 0.255Ω | 0.255Ω | — | 0.095Ω | — | — | — | 0.100Ω | — |
| 1.000 | — | — | — | — | — | — | 0.24Ω | — | — |
| 1.100 | 0.200Ω | 0.225Ω | — | 0.075Ω | — | — | — | 0.075Ω | — |
| 1.200 | — | — | — | — | — | — | — | — | 0.080Ω |
| 1.350 | 0.155Ω | 0.165Ω | — | 0.060Ω | — | — | — | 0.060Ω | — |
| 1.550 | — | — | — | — | — | — | — | — | 0.058Ω |
| 1.600 | 0.115Ω | 0.150Ω | — | 0.050Ω | — | — | — | 0.050Ω | — |
| 1.850 | 0.100Ω | 0.106Ω | — | 0.045Ω | — | — | — | 0.045Ω | — |
| 1.900 | — | — | — | — | — | — | — | — | — |

PolySwitch Resettable Devices

Radial-Leaded Devices

Table R1 — Product Series - Current Rating, Voltage Rating/Typical Resistance (Cont'd)

| Voltage Rating | RXEF 72V | RKEF 60V | RXEF 60V | RUEF 30V | RGEF 16V | RHEF 16V | RHEF 30V | RUSBF 16V | RUSBF 6V |
|-------------------------|-------------|-------------|-------------|-------------|-------------|-------------|-------------|--------------|-------------|
| Hold Current (A) | | | | | | | | | |
| 2.000 | — | — | — | — | — | 0.0610Ω | — | — | — |
| 2.500 | 0.065Ω | 0.063Ω | — | 0.030Ω | 0.0380Ω | — | — | 0.030Ω | — |
| 3.000 | 0.050Ω | 0.040Ω | — | 0.035Ω | 0.0514Ω | 0.0430Ω | — | — | — |
| 3.750 | 0.040Ω | 0.029Ω | — | — | — | — | — | — | — |
| 4.000 | — | 0.026Ω | — | 0.020Ω | 0.0300Ω | 0.0320Ω | — | — | — |
| 4.500 | — | — | — | — | — | 0.0290Ω | — | — | — |
| 5.000 | — | 0.021Ω | — | 0.020Ω | 0.0192Ω | — | — | — | — |
| 5.500 | — | — | — | — | — | 0.0200Ω | — | — | — |
| 6.000 | — | — | — | 0.013Ω | 0.0145Ω | 0.0175Ω | — | — | — |
| 6.500 | — | — | — | — | — | 0.0144Ω | — | — | — |
| 7.000 | — | — | — | 0.013Ω | 0.0105Ω | 0.0132Ω | — | — | — |
| 7.500 | — | — | — | — | — | 0.0120Ω | — | — | — |
| 8.000 | — | — | — | 0.013Ω | 0.0086Ω | 0.0110Ω | — | — | — |
| 9.000 | — | — | — | 0.008Ω | 0.0070Ω | 0.0100Ω | — | — | — |
| 10.00 | — | — | — | — | 0.0056Ω | 0.0083Ω | — | — | — |
| 11.00 | — | — | — | — | 0.0050Ω | 0.0073Ω | — | — | — |
| 12.00 | — | — | — | — | 0.0046Ω | — | — | — | — |
| 13.00 | — | — | — | — | — | 0.0055Ω | — | — | — |
| 14.00 | — | — | — | — | 0.0040Ω | 0.0050Ω | — | — | — |
| 15.00 | — | — | — | — | — | 0.0050Ω | — | — | — |

Table R2 — Thermal Derating [Hold Current (A) at Ambient Temperature (°C)]

| Part Number | Maximum Ambient Temperature | | | | | | | | | | |
|---------------------|-----------------------------|-------|------|------|-------|------|-------|-------|-------|------|-------|
| | -40°C | -20°C | 0°C | 20°C | 25°C | 40°C | 50°C | 60°C | 70°C | 85°C | 125°C |
| RXEF 60V | | | | | | | | | | | |
| RXEF005 | 0.078 | 0.068 | 0.06 | 0.05 | 0.048 | 0.04 | 0.035 | 0.032 | 0.027 | 0.02 | — |
| RXEF010 | 0.160 | 0.140 | 0.11 | 0.10 | 0.096 | 0.08 | 0.072 | 0.067 | 0.050 | 0.04 | — |
| RXEF017 | 0.260 | 0.230 | 0.21 | 0.17 | 0.160 | 0.14 | 0.120 | 0.110 | 0.090 | 0.07 | — |
| RXEF 72V | | | | | | | | | | | |
| RXEF020 | 0.31 | 0.27 | 0.24 | 0.20 | 0.19 | 0.16 | 0.14 | 0.13 | 0.11 | 0.08 | — |
| RXEF025 | 0.39 | 0.34 | 0.30 | 0.25 | 0.24 | 0.20 | 0.18 | 0.16 | 0.14 | 0.10 | — |
| RXEF030 | 0.47 | 0.41 | 0.36 | 0.30 | 0.29 | 0.24 | 0.22 | 0.20 | 0.16 | 0.12 | — |
| RXEF040 | 0.62 | 0.54 | 0.48 | 0.40 | 0.38 | 0.32 | 0.29 | 0.25 | 0.22 | 0.16 | — |
| RXEF050 | 0.78 | 0.68 | 0.60 | 0.50 | 0.48 | 0.41 | 0.36 | 0.32 | 0.27 | 0.20 | — |
| RXEF065 | 1.01 | 0.88 | 0.77 | 0.65 | 0.62 | 0.53 | 0.47 | 0.41 | 0.35 | 0.26 | — |
| RXEF075 | 1.16 | 1.02 | 0.89 | 0.75 | 0.72 | 0.61 | 0.54 | 0.47 | 0.41 | 0.30 | — |
| RXEF090 | 1.40 | 1.22 | 1.07 | 0.90 | 0.86 | 0.73 | 0.65 | 0.57 | 0.49 | 0.36 | — |
| RXEF110 | 1.71 | 1.50 | 1.31 | 1.10 | 1.06 | 0.89 | 0.79 | 0.69 | 0.59 | 0.44 | — |
| RXEF135 | 2.09 | 1.84 | 1.61 | 1.35 | 1.30 | 1.09 | 0.97 | 0.85 | 0.73 | 0.54 | — |
| RXEF160 | 2.48 | 2.18 | 1.90 | 1.60 | 1.54 | 1.30 | 1.15 | 1.01 | 0.86 | 0.64 | — |
| RXEF185 | 2.87 | 2.52 | 2.20 | 1.85 | 1.78 | 1.50 | 1.33 | 1.17 | 1.00 | 0.74 | — |
| RXEF250 | 3.88 | 3.40 | 2.98 | 2.50 | 2.40 | 2.03 | 1.80 | 1.58 | 1.35 | 1.00 | — |
| RXEF300 | 4.65 | 4.08 | 3.57 | 3.00 | 2.88 | 2.43 | 2.16 | 1.89 | 1.62 | 1.20 | — |
| RXEF375 | 5.81 | 5.10 | 4.46 | 3.75 | 3.60 | 3.04 | 2.70 | 2.36 | 2.03 | 1.50 | — |

PolySwitch Resettable Devices

Radial-Leaded Devices

Table R2 – Thermal Derating [Hold Current (A) at Ambient Temperature (°C)] (Cont'd)

| Part Number | Maximum Ambient Temperature | | | | | | | | | | |
|-------------------------------------|-----------------------------|-------|-------|------|------|------|------|------|------|------|-------|
| | -40°C | -20°C | 0°C | 20°C | 25°C | 40°C | 50°C | 60°C | 70°C | 85°C | 125°C |
| RKEF; 60V | | | | | | | | | | | |
| RKEF050 | 0.73 | 0.65 | 0.58 | 0.50 | 0.48 | 0.42 | 0.38 | 0.34 | 0.31 | 0.26 | — |
| RKEF065 | 0.94 | 0.85 | 0.75 | 0.65 | 0.63 | 0.54 | 0.50 | 0.44 | 0.40 | 0.34 | — |
| RKEF075 | 1.09 | 0.98 | 0.86 | 0.75 | 0.73 | 0.62 | 0.58 | 0.51 | 0.46 | 0.39 | — |
| RKEF090 | 1.30 | 1.17 | 1.04 | 0.90 | 0.87 | 0.75 | 0.69 | 0.61 | 0.55 | 0.47 | — |
| RKEF110 | 1.60 | 1.43 | 1.27 | 1.10 | 1.06 | 0.92 | 0.85 | 0.75 | 0.67 | 0.57 | — |
| RKEF135 | 1.96 | 1.76 | 1.55 | 1.35 | 1.31 | 1.12 | 1.04 | 0.92 | 0.83 | 0.71 | — |
| RKEF160 | 2.32 | 2.08 | 1.84 | 1.60 | 1.55 | 1.33 | 1.23 | 1.08 | 0.98 | 0.83 | — |
| RKEF185 | 2.68 | 2.41 | 2.13 | 1.85 | 1.79 | 1.54 | 1.43 | 1.26 | 1.13 | 0.96 | — |
| RKEF250 | 3.63 | 3.25 | 2.88 | 2.50 | 2.43 | 2.08 | 1.93 | 1.70 | 1.52 | 1.31 | — |
| RKEF300 | 4.35 | 3.90 | 3.45 | 3.00 | 2.91 | 2.50 | 2.30 | 2.04 | 1.84 | 1.55 | — |
| RKEF375 | 5.44 | 4.88 | 4.31 | 3.75 | 3.64 | 3.11 | 2.90 | 2.54 | 2.29 | 1.94 | — |
| RKEF400 | 5.80 | 5.20 | 4.60 | 4.00 | 3.88 | 3.32 | 3.08 | 2.73 | 2.45 | 2.08 | — |
| RKEF500 | 7.25 | 6.50 | 5.75 | 5.00 | 4.85 | 4.15 | 3.85 | 3.41 | 3.06 | 2.59 | — |
| RUEF; 30V | | | | | | | | | | | |
| RUEF090 | 1.31 | 1.17 | 1.04 | 0.90 | 0.87 | 0.75 | 0.69 | 0.61 | 0.55 | 0.47 | — |
| RUEF110 | 1.60 | 1.43 | 1.27 | 1.10 | 1.07 | 0.91 | 0.85 | 0.75 | 0.67 | 0.57 | — |
| RUEF135 | 1.96 | 1.76 | 1.55 | 1.35 | 1.31 | 1.12 | 1.04 | 0.92 | 0.82 | 0.70 | — |
| RUEF160 | 2.32 | 2.08 | 1.84 | 1.60 | 1.55 | 1.33 | 1.23 | 1.09 | 0.98 | 0.83 | — |
| RUEF185 | 2.68 | 2.41 | 2.13 | 1.85 | 1.79 | 1.54 | 1.42 | 1.26 | 1.13 | 0.96 | — |
| RUEF250 | 3.63 | 3.25 | 2.88 | 2.50 | 2.43 | 2.08 | 1.93 | 1.70 | 1.53 | 1.30 | — |
| RUEF300 | 4.35 | 3.90 | 3.45 | 3.00 | 2.91 | 2.49 | 2.31 | 2.04 | 1.83 | 1.56 | — |
| RUEF400 | 5.80 | 5.20 | 4.60 | 4.00 | 3.88 | 3.32 | 3.08 | 2.72 | 2.44 | 2.08 | — |
| RUEF500 | 7.25 | 6.50 | 5.75 | 5.00 | 4.85 | 4.15 | 3.85 | 3.40 | 3.05 | 2.60 | — |
| RUEF600 | 8.70 | 7.80 | 6.90 | 6.00 | 5.82 | 4.98 | 4.62 | 4.08 | 3.66 | 3.12 | — |
| RUEF700 | 10.15 | 9.10 | 8.05 | 7.00 | 6.79 | 5.81 | 5.39 | 4.76 | 4.27 | 3.64 | — |
| RUEF800 | 11.60 | 10.40 | 9.20 | 8.00 | 7.76 | 6.64 | 6.16 | 5.44 | 4.88 | 4.16 | — |
| RUEF900 | 13.05 | 11.70 | 10.35 | 9.00 | 8.73 | 7.47 | 6.93 | 6.12 | 5.49 | 4.68 | — |
| RHEF; 30V - High Temperature | | | | | | | | | | | |
| RHEF050 | 0.68 | 0.62 | 0.56 | 0.51 | 0.50 | 0.44 | 0.40 | 0.36 | 0.34 | 0.28 | 0.12 |
| RHEF070 | 0.95 | 0.87 | 0.79 | 0.72 | 0.70 | 0.62 | 0.56 | 0.51 | 0.47 | 0.39 | 0.17 |
| RHEF100 | 1.36 | 1.24 | 1.13 | 1.03 | 1.00 | 0.89 | 0.80 | 0.73 | 0.67 | 0.56 | 0.24 |
| RUSBF; 16V | | | | | | | | | | | |
| RUSBF090 | 1.31 | 1.17 | 1.04 | 0.90 | 0.87 | 0.75 | 0.69 | 0.61 | 0.55 | 0.47 | — |
| RUSBF110 | 1.60 | 1.43 | 1.27 | 1.10 | 1.07 | 1.00 | 0.92 | 0.75 | 0.67 | 0.57 | — |
| RUSBF135 | 1.96 | 1.76 | 1.55 | 1.35 | 1.31 | 1.12 | 1.04 | 0.92 | 0.82 | 0.70 | — |
| RUSBF160 | 2.32 | 2.08 | 1.84 | 1.60 | 1.55 | 1.33 | 1.23 | 1.09 | 0.98 | 0.83 | — |
| RUSBF185 | 2.68 | 2.41 | 2.13 | 1.85 | 1.79 | 1.54 | 1.42 | 1.26 | 1.13 | 0.96 | — |
| RUSBF250 | 3.63 | 3.25 | 2.88 | 2.50 | 2.43 | 2.08 | 1.93 | 1.70 | 1.53 | 1.30 | — |
| RGEF; 16V | | | | | | | | | | | |
| RGEF250 | 3.7 | 3.3 | 3.0 | 2.6 | 2.50 | 2.2 | 2.0 | 1.8 | 1.6 | 1.2 | — |
| RGEF300 | 4.4 | 4.0 | 3.6 | 3.1 | 3.00 | 2.6 | 2.4 | 2.1 | 1.9 | 1.4 | — |
| RGEF400 | 5.9 | 5.3 | 4.8 | 4.1 | 4.00 | 3.5 | 3.2 | 2.8 | 2.5 | 1.9 | — |
| RGEF500 | 7.3 | 6.6 | 6.0 | 5.2 | 5.00 | 4.4 | 4.0 | 3.6 | 3.1 | 2.4 | — |
| RGEF600 | 8.8 | 8.0 | 7.2 | 6.2 | 6.00 | 5.2 | 4.8 | 4.2 | 3.8 | 2.8 | — |
| RGEF700 | 10.3 | 9.3 | 8.4 | 7.3 | 7.00 | 6.2 | 5.6 | 5.0 | 4.4 | 3.3 | — |
| RGEF800 | 11.7 | 10.7 | 9.6 | 8.3 | 8.00 | 6.9 | 6.4 | 5.6 | 5.1 | 3.7 | — |

PolySwitch Resettable Devices

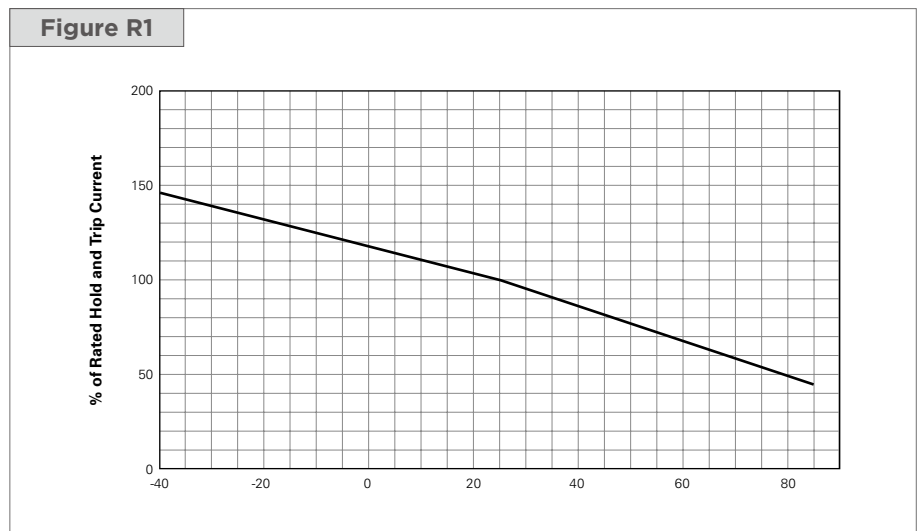
Radial-Leaded Devices

Table R2 – Thermal Derating [Hold Current (A) at Ambient Temperature (°C)] (Cont'd)

| Part Number | Maximum Ambient Temperature | | | | | | | | | | |
|-------------------------------------|-----------------------------|-------|-------|-------|-------|-------|-------|-------|------|------|-------|
| | -40°C | -20°C | 0°C | 20°C | 25°C | 40°C | 50°C | 60°C | 70°C | 85°C | 125°C |
| RGEF; 16V | | | | | | | | | | | |
| RGEF900 | 13.2 | 11.9 | 10.7 | 9.4 | 9.00 | 7.9 | 7.2 | 6.4 | 5.6 | 4.2 | — |
| RGEF1000 | 14.7 | 13.3 | 12.0 | 10.3 | 10.00 | 8.7 | 8.0 | 7.0 | 6.3 | 4.7 | — |
| RGEF1100 | 16.1 | 14.6 | 13.1 | 11.5 | 11.00 | 9.7 | 8.8 | 7.8 | 6.9 | 5.2 | — |
| RGEF1200 | 17.6 | 16.0 | 14.4 | 12.4 | 12.00 | 10.4 | 9.6 | 8.4 | 7.6 | 5.6 | — |
| RGEF1400 | 20.5 | 18.7 | 16.8 | 14.5 | 14.00 | 12.1 | 11.2 | 9.8 | 8.9 | 6.5 | — |
| RHEF; 16V - High Temperature | | | | | | | | | | | |
| RHEF200 | 2.71 | 2.49 | 2.26 | 2.06 | 2.00 | 1.77 | 1.60 | 1.46 | 1.34 | 1.11 | 0.49 |
| RHEF300 | 4.07 | 3.74 | 3.41 | 3.09 | 3.00 | 2.65 | 2.40 | 2.21 | 2.00 | 1.66 | 0.74 |
| RHEF400 | 5.57 | 5.11 | 4.65 | 4.22 | 4.00 | 3.62 | 3.29 | 3.01 | 2.73 | 2.27 | 1.01 |
| RHEF450 | 6.10 | 5.60 | 5.10 | 4.60 | 4.50 | 4.00 | 3.60 | 3.30 | 3.00 | 2.50 | 1.10 |
| RHEF550 | 7.47 | 6.86 | 6.24 | 5.66 | 5.50 | 4.85 | 4.41 | 4.04 | 3.66 | 3.05 | 1.36 |
| RHEF600 | 8.20 | 7.50 | 6.80 | 6.20 | 6.00 | 5.30 | 4.90 | 4.40 | 4.00 | 3.30 | 1.50 |
| RHEF650 | 8.80 | 8.10 | 7.40 | 6.70 | 6.50 | 5.70 | 5.30 | 4.80 | 4.30 | 3.60 | 1.60 |
| RHEF700 | 9.51 | 8.73 | 7.95 | 7.20 | 7.00 | 6.17 | 5.61 | 5.15 | 4.66 | 3.88 | 1.73 |
| RHEF750 | 10.20 | 9.40 | 8.60 | 7.70 | 7.50 | 6.60 | 6.10 | 5.60 | 5.00 | 4.10 | 1.90 |
| RHEF800 | 10.87 | 9.98 | 9.08 | 8.23 | 8.00 | 7.06 | 6.41 | 5.88 | 5.33 | 4.43 | 1.97 |
| RHEF900 | 12.21 | 11.19 | 10.16 | 9.26 | 9.00 | 7.97 | 7.20 | 6.56 | 6.04 | 5.01 | 2.19 |
| RHEF1000 | 13.60 | 12.50 | 11.40 | 10.30 | 10.00 | 8.80 | 8.10 | 7.40 | 6.60 | 5.50 | 2.50 |
| RHEF1100 | 14.94 | 13.72 | 12.49 | 11.31 | 11.00 | 9.70 | 8.82 | 8.09 | 7.32 | 6.09 | 2.71 |
| RHEF1300 | 17.70 | 16.30 | 14.80 | 13.40 | 13.00 | 11.40 | 10.50 | 9.60 | 8.60 | 7.20 | 3.30 |
| RHEF1400 | 19.01 | 17.46 | 15.89 | 14.40 | 14.00 | 12.35 | 11.22 | 10.29 | 9.32 | 7.76 | 3.45 |
| RHEF1500 | 20.40 | 18.80 | 17.10 | 15.50 | 15.00 | 13.20 | 12.10 | 11.10 | 9.90 | 8.30 | 3.80 |
| RUSBF; 6V | | | | | | | | | | | |
| RUSBF075 | 1.05 | 0.95 | 0.85 | 0.75 | 0.73 | 0.65 | 0.60 | 0.55 | 0.50 | 0.43 | — |
| RUSBF120 | 1.69 | 1.52 | 1.36 | 1.20 | 1.16 | 1.04 | 0.96 | 0.88 | 0.80 | 0.68 | — |
| RUSBF155 | 2.17 | 1.96 | 1.75 | 1.55 | 1.50 | 1.34 | 1.24 | 1.14 | 1.03 | 0.88 | — |

Figures R1-R5 – Thermal Derating Curve

RXEF



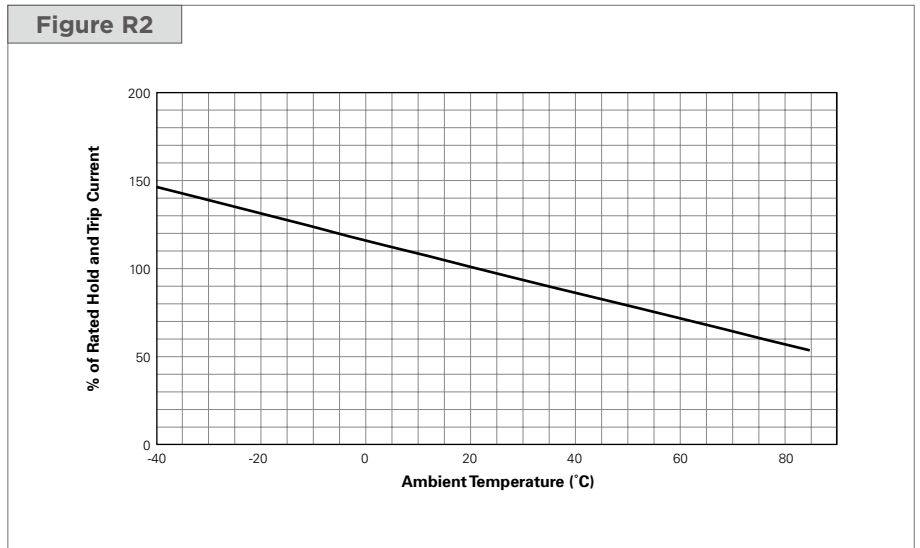
PolySwitch Resettable Devices

Radial-Leaded Devices

Figures R1-R5 – Thermal Derating Curve

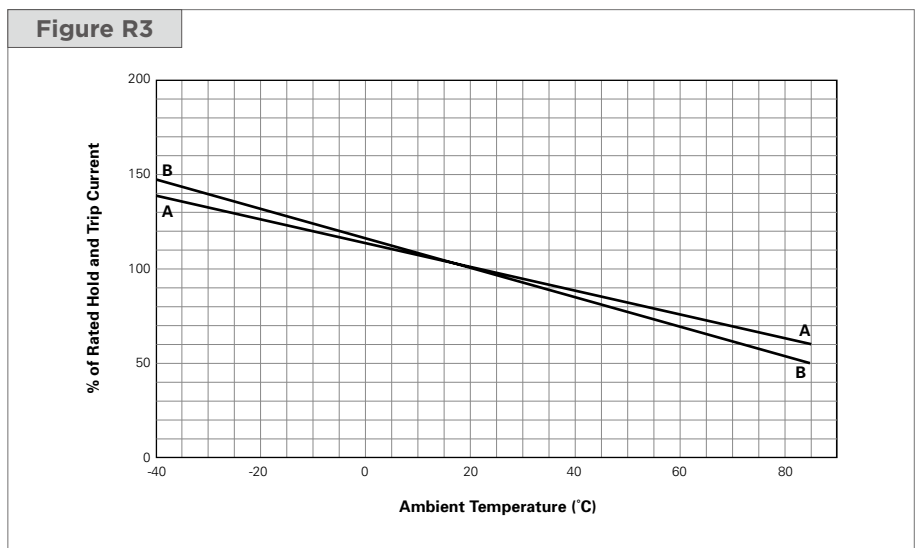
(Cont'd)

RKEF

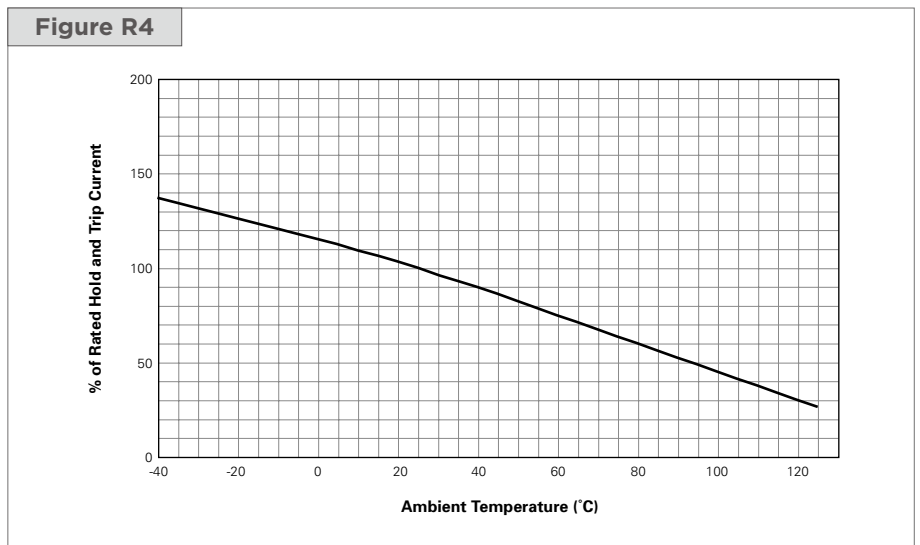


A = RUSBF075,
RUSBF120,
RUSBF155

B = RUEF,
and all other RUSBF



RHEF



PolySwitch Resettable Devices

Radial-Leaded Devices

Figures R1-R5 – Thermal Derating Curve

(Cont'd)

RGEF

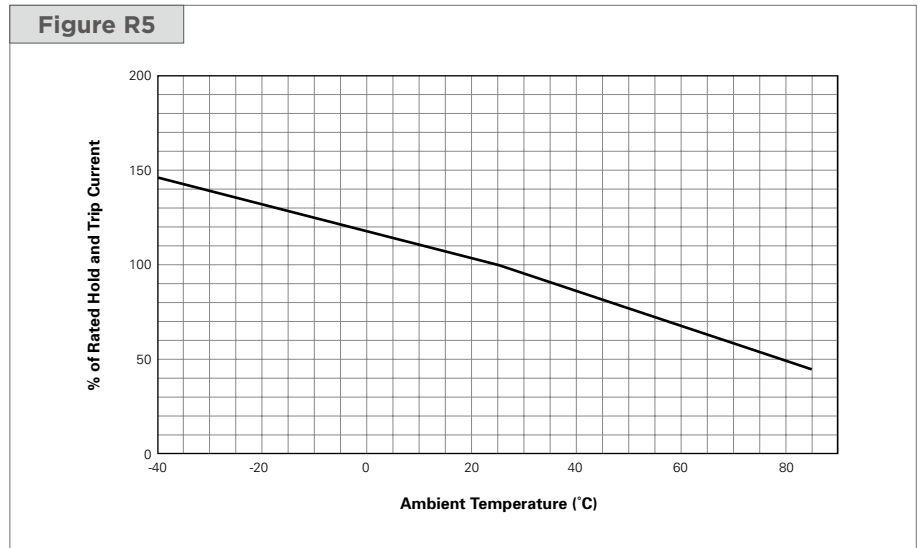


Table R3 – Electrical Characteristics

| Part Number | I _H (A) | I _T (A) | V _{MAX} | | I _{MAX} | | P _D Typ (W) | Max Time-to-trip | | R _{MIN} (Ω) | R _{MAX} (Ω) | R _{TMAX} (Ω) | Lead Size [mm ² (AWG)] |
|-------------|-----------------------|-----------------------|--------------------|------------------------|----------------------|-----------------------|---------------------------|------------------|------|-------------------------|-------------------------|--------------------------|--------------------------------------|
| | | | (V _{DC}) | (V _{AC RMS}) | (DC _{ADC}) | (AC _{ARMS}) | | (A) | (s) | | | | |
| RXEF | | | | | | | | | | | | | |
| 60V | | | | | | | | | | | | | |
| RXEF005 | 0.05 | 0.10 | 60 | — | 40 | — | 0.22 | 0.25 | 5.0 | 7.3 | 11.10 | 20.00 | [0.128mm ² (26)] |
| RXEF010 | 0.10 | 0.20 | 60 | — | 40 | — | 0.38 | 0.50 | 4.0 | 2.5 | 4.50 | 7.50 | [0.205mm ² (24)] |
| RXEF017 | 0.17 | 0.34 | 60 | — | 40 | — | 0.48 | 0.85 | 3.0 | 3.3 | 5.21 | 8.00 | [0.205mm ² (24)] |
| RXEF | | | | | | | | | | | | | |
| 72V | | | | | | | | | | | | | |
| RXEF020 | 0.20 | 0.40 | 72 | 72 | 40 | 40 | 0.41 | 1.00 | 2.2 | 1.83 | 2.75 | 4.40 | [0.205mm ² (24)] |
| RXEF025 | 0.25 | 0.50 | 72 | 72 | 40 | 40 | 0.45 | 1.25 | 2.5 | 1.25 | 1.95 | 3.00 | [0.205mm ² (24)] |
| RXEF030 | 0.30 | 0.60 | 72 | 72 | 40 | 40 | 0.49 | 1.50 | 3.0 | 0.88 | 1.33 | 2.10 | [0.205mm ² (24)] |
| RXEF040 | 0.40 | 0.80 | 72 | 72 | 40 | 40 | 0.56 | 2.00 | 3.8 | 0.55 | 0.86 | 1.29 | [0.205mm ² (24)] |
| RXEF050 | 0.50 | 1.00 | 72 | 72 | 40 | 40 | 0.77 | 2.50 | 4.0 | 0.50 | 0.77 | 1.17 | [0.205mm ² (24)] |
| RXEF065 | 0.65 | 1.30 | 72 | 72 | 40 | 40 | 0.88 | 3.25 | 5.3 | 0.31 | 0.48 | 0.72 | [0.205mm ² (24)] |
| RXEF075 | 0.75 | 1.50 | 72 | 72 | 40 | 40 | 0.92 | 3.75 | 6.3 | 0.25 | 0.40 | 0.60 | [0.205mm ² (24)] |
| RXEF090 | 0.90 | 1.80 | 72 | 72 | 40 | 40 | 0.99 | 4.50 | 7.2 | 0.20 | 0.31 | 0.47 | [0.205mm ² (24)] |
| RXEF110 | 1.10 | 2.20 | 72 | 72 | 40 | 40 | 1.50 | 5.50 | 8.2 | 0.15 | 0.25 | 0.38 | [0.520mm ² (20)] |
| RXEF135 | 1.35 | 2.70 | 72 | 72 | 40 | 40 | 1.70 | 6.75 | 9.6 | 0.12 | 0.19 | 0.30 | [0.520mm ² (20)] |
| RXEF160 | 1.60 | 3.20 | 72 | 72 | 40 | 40 | 1.90 | 8.00 | 11.4 | 0.09 | 0.14 | 0.22 | [0.520mm ² (20)] |
| RXEF185 | 1.85 | 3.70 | 72 | 72 | 40 | 40 | 2.10 | 9.25 | 12.6 | 0.08 | 0.12 | 0.19 | [0.520mm ² (20)] |
| RXEF250 | 2.50 | 5.00 | 72 | 72 | 40 | 40 | 2.50 | 12.50 | 15.6 | 0.05 | 0.08 | 0.13 | [0.520mm ² (20)] |
| RXEF300 | 3.00 | 6.00 | 72 | 72 | 40 | 40 | 2.80 | 15.00 | 19.8 | 0.04 | 0.06 | 0.10 | [0.520mm ² (20)] |
| RXEF375 | 3.75 | 7.50 | 72 | 72 | 40 | 40 | 3.20 | 18.75 | 24.0 | 0.03 | 0.05 | 0.08 | [0.520mm ² (20)] |

PolySwitch Resettable Devices

Radial-Leaded Devices

Table R3 – Electrical Characteristics

(Cont'd)

| Part Number | I _H (A) | I _T (A) | V _{MAX} | | I _{MAX} | | P _D TYP (W) | Max Time-to-trip | | R _{MIN} (Ω) | R _{MAX} (Ω) | R _{TMAX} (Ω) | Lead Size [mm ² (AWG)] |
|--------------------------------------|-----------------------|-----------------------|--------------------|------------------------|----------------------|-----------------------|---------------------------|------------------|------|-------------------------|-------------------------|--------------------------|--------------------------------------|
| | | | (V _{DC}) | (V _{AC RMS}) | (DC _{ADC}) | (AC _{ARMS}) | | (A) | (s) | | | | |
| RKEF; 60V | | | | | | | | | | | | | |
| RKEF050 | 0.50 | 1.00 | 60 | — | 40 | — | 1.00 | 8.00 | 0.8 | 0.320 | 0.529 | 0.900 | [0.205mm ² (24)] |
| RKEF065 | 0.65 | 1.30 | 60 | — | 40 | — | 1.25 | 8.00 | 1.0 | 0.250 | 0.450 | 0.720 | [0.205mm ² (24)] |
| RKEF075 | 0.75 | 1.50 | 60 | — | 40 | — | 1.40 | 8.00 | 1.5 | 0.200 | 0.390 | 0.640 | [0.205mm ² (24)] |
| RKEF090 | 0.90 | 1.80 | 60 | — | 40 | — | 1.50 | 8.00 | 2.0 | 0.190 | 0.320 | 0.520 | [0.205mm ² (24)] |
| RKEF110 | 1.10 | 2.20 | 60 | — | 40 | — | 2.20 | 8.00 | 3.0 | 0.170 | 0.280 | 0.470 | [0.520mm ² (20)] |
| RKEF135 | 1.35 | 2.70 | 60 | — | 40 | — | 2.30 | 8.00 | 4.5 | 0.110 | 0.220 | 0.370 | [0.520mm ² (20)] |
| RKEF160 | 1.60 | 3.20 | 60 | — | 40 | — | 2.40 | 8.20 | 9.0 | 0.100 | 0.200 | 0.320 | [0.520mm ² (20)] |
| RKEF185 | 1.85 | 3.70 | 60 | — | 40 | — | 2.60 | 9.25 | 12.6 | 0.060 | 0.152 | 0.250 | [0.520mm ² (20)] |
| RKEF250 | 2.50 | 5.00 | 60 | — | 40 | — | 2.80 | 12.50 | 15.6 | 0.040 | 0.085 | 0.140 | [0.520mm ² (20)] |
| RKEF300 | 3.00 | 6.00 | 60 | — | 40 | — | 3.20 | 15.00 | 19.8 | 0.030 | 0.050 | 0.080 | [0.520mm ² (20)] |
| RKEF375 | 3.75 | 7.50 | 60 | — | 40 | — | 3.40 | 18.75 | 22.0 | 0.017 | 0.040 | 0.060 | [0.520mm ² (20)] |
| RKEF400 | 4.00 | 8.00 | 60 | — | 40 | — | 3.70 | 20.00 | 24.0 | 0.014 | 0.038 | 0.060 | [0.520mm ² (20)] |
| RKEF500 | 5.00 | 10.00 | 60 | — | 40 | — | 5.00 | 25.00 | 28.0 | 0.012 | 0.030 | 0.050 | [0.520mm ² (20)] |
| RUEF; 30V | | | | | | | | | | | | | |
| RUEF090 | 0.90 | 1.80 | 30 | 30 | 100 | 70 | 0.60 | 4.50 | 5.9 | 0.070 | 0.120 | 0.22 | [0.205mm ² (24)] |
| RUEF110 | 1.10 | 2.20 | 30 | 30 | 100 | 70 | 0.70 | 5.50 | 6.6 | 0.070 | 0.100 | 0.17 | [0.205mm ² (24)] |
| RUEF135 | 1.35 | 2.70 | 30 | 30 | 100 | 70 | 0.80 | 6.75 | 7.3 | 0.040 | 0.080 | 0.13 | [0.205mm ² (24)] |
| RUEF160 | 1.60 | 3.20 | 30 | 30 | 100 | 70 | 0.90 | 8.00 | 8.0 | 0.030 | 0.070 | 0.11 | [0.205mm ² (24)] |
| RUEF185 | 1.85 | 3.70 | 30 | 30 | 100 | 70 | 1.00 | 9.25 | 8.7 | 0.030 | 0.060 | 0.09 | [0.205mm ² (24)] |
| RUEF250 | 2.50 | 5.00 | 30 | 30 | 100 | 70 | 1.20 | 12.50 | 10.3 | 0.020 | 0.040 | 0.07 | [0.205mm ² (24)] |
| RUEF300 | 3.00 | 6.00 | 30 | 30 | 100 | 70 | 2.00 | 15.00 | 10.8 | 0.020 | 0.050 | 0.08 | [0.520mm ² (20)] |
| RUEF400 | 4.00 | 8.00 | 30 | 30 | 100 | 70 | 2.50 | 20.00 | 12.7 | 0.010 | 0.030 | 0.05 | [0.520mm ² (20)] |
| RUEF500 | 5.00 | 10.00 | 30 | 30 | 100 | 70 | 3.00 | 25.00 | 14.5 | 0.010 | 0.030 | 0.05 | [0.520mm ² (20)] |
| RUEF600 | 6.00 | 12.00 | 30 | 30 | 100 | 70 | 3.50 | 30.00 | 16.0 | 0.005 | 0.020 | 0.04 | [0.520mm ² (20)] |
| RUEF700 | 7.00 | 14.00 | 30 | 30 | 100 | 70 | 3.80 | 35.00 | 17.5 | 0.005 | 0.020 | 0.03 | [0.520mm ² (20)] |
| RUEF800 | 8.00 | 16.00 | 30 | 30 | 100 | 70 | 4.00 | 40.00 | 18.8 | 0.005 | 0.013 | 0.02 | [0.520mm ² (20)] |
| RUEF900 | 9.00 | 18.00 | 30 | 30 | 100 | 70 | 4.20 | 45.00 | 20.0 | 0.005 | 0.010 | 0.02 | [0.520mm ² (20)] |
| RHEF*, 30V - High Temperature | | | | | | | | | | | | | |
| RHEF050 | 0.5 | 0.9 | 30 | — | 40 | — | 0.9 | 2.5 | 2.5 | 0.480 | 0.780 | 1.10 | [0.205mm ² (24)] |
| RHEF070 | 0.7 | 1.4 | 30 | — | 40 | — | 1.4 | 3.5 | 3.2 | 0.300 | 0.540 | 0.80 | [0.205mm ² (24)] |
| RHEF100 | 1.0 | 1.8 | 30 | — | 40 | — | 1.4 | 5.0 | 5.2 | 0.180 | 0.300 | 0.43 | [0.205mm ² (24)] |
| RUSBF; 16V | | | | | | | | | | | | | |
| RUSBF090 | 0.90 | 1.8 | 16 | — | 40 | — | 0.6 | 8.0 | 1.2 | 0.070 | 0.120 | 0.180 | [0.205mm ² (24)] |
| RUSBF110 | 1.10 | 2.2 | 16 | — | 40 | — | 0.7 | 8.0 | 2.3 | 0.050 | 0.095 | 0.140 | [0.205mm ² (24)] |
| RUSBF135 | 1.35 | 2.7 | 16 | — | 40 | — | 0.8 | 8.0 | 4.5 | 0.040 | 0.074 | 0.112 | [0.205mm ² (24)] |
| RUSBF160 | 1.60 | 3.2 | 16 | — | 40 | — | 0.9 | 8.0 | 9.0 | 0.030 | 0.061 | 0.110 | [0.205mm ² (24)] |
| RUSBF185 | 1.85 | 3.7 | 16 | — | 40 | — | 1.0 | 8.0 | 10.0 | 0.030 | 0.051 | 0.090 | [0.205mm ² (24)] |
| RUSBF250 | 2.50 | 5.0 | 16 | — | 40 | — | 1.2 | 8.0 | 40.0 | 0.020 | 0.036 | 0.060 | [0.205mm ² (24)] |
| RGEF*; 16V | | | | | | | | | | | | | |
| RGEF250 | 2.5 | 4.7 | 16 | — | 100 | — | 1.0 | 12.5 | 5.0 | 0.0220 | 0.0350 | 0.0530 | [0.205mm ² (24)] |
| RGEF300 | 3.0 | 5.1 | 16 | — | 100 | — | 2.3 | 15.0 | 1.0 | 0.0380 | 0.0645 | 0.0975 | [0.520mm ² (20)] |
| RGEF400 | 4.0 | 6.8 | 16 | — | 100 | — | 2.4 | 20.0 | 1.7 | 0.0210 | 0.0390 | 0.0600 | [0.520mm ² (20)] |
| RGEF500 | 5.0 | 8.5 | 16 | — | 100 | — | 2.6 | 25.0 | 2.0 | 0.0150 | 0.0240 | 0.0340 | [0.520mm ² (20)] |
| RGEF600 | 6.0 | 10.2 | 16 | — | 100 | — | 2.8 | 30.0 | 3.3 | 0.0100 | 0.0190 | 0.0280 | [0.520mm ² (20)] |
| RGEF700 | 7.0 | 11.9 | 16 | — | 100 | — | 3.0 | 35.0 | 3.5 | 0.0077 | 0.0131 | 0.0200 | [0.520mm ² (20)] |
| RGEF800 | 8.0 | 13.6 | 16 | — | 100 | — | 3.0 | 40.0 | 5.0 | 0.0056 | 0.0110 | 0.0175 | [0.520mm ² (20)] |
| RGEF900 | 9.0 | 15.3 | 16 | — | 100 | — | 3.3 | 45.0 | 5.5 | 0.0047 | 0.0091 | 0.0135 | [0.520mm ² (20)] |
| RGEF1000 | 10.0 | 17.0 | 16 | — | 100 | — | 3.6 | 50.0 | 6.0 | 0.0040 | 0.0070 | 0.0102 | [0.520mm ² (20)] |
| RGEF1100 | 11.0 | 18.7 | 16 | — | 100 | — | 3.7 | 55.0 | 7.0 | 0.0037 | 0.0060 | 0.0089 | [0.520mm ² (20)] |
| RGEF1200 | 12.0 | 20.4 | 16 | — | 100 | — | 4.2 | 60.0 | 7.5 | 0.0033 | 0.0057 | 0.0086 | [0.823mm ² (18)] |
| RGEF1400 | 14.0 | 23.8 | 16 | — | 100 | — | 4.6 | 70.0 | 9.0 | 0.0026 | 0.0043 | 0.0064 | [0.823mm ² (18)] |

PolySwitch Resettable Devices

Radial-Leaded Devices

Table R3 – Electrical Characteristics

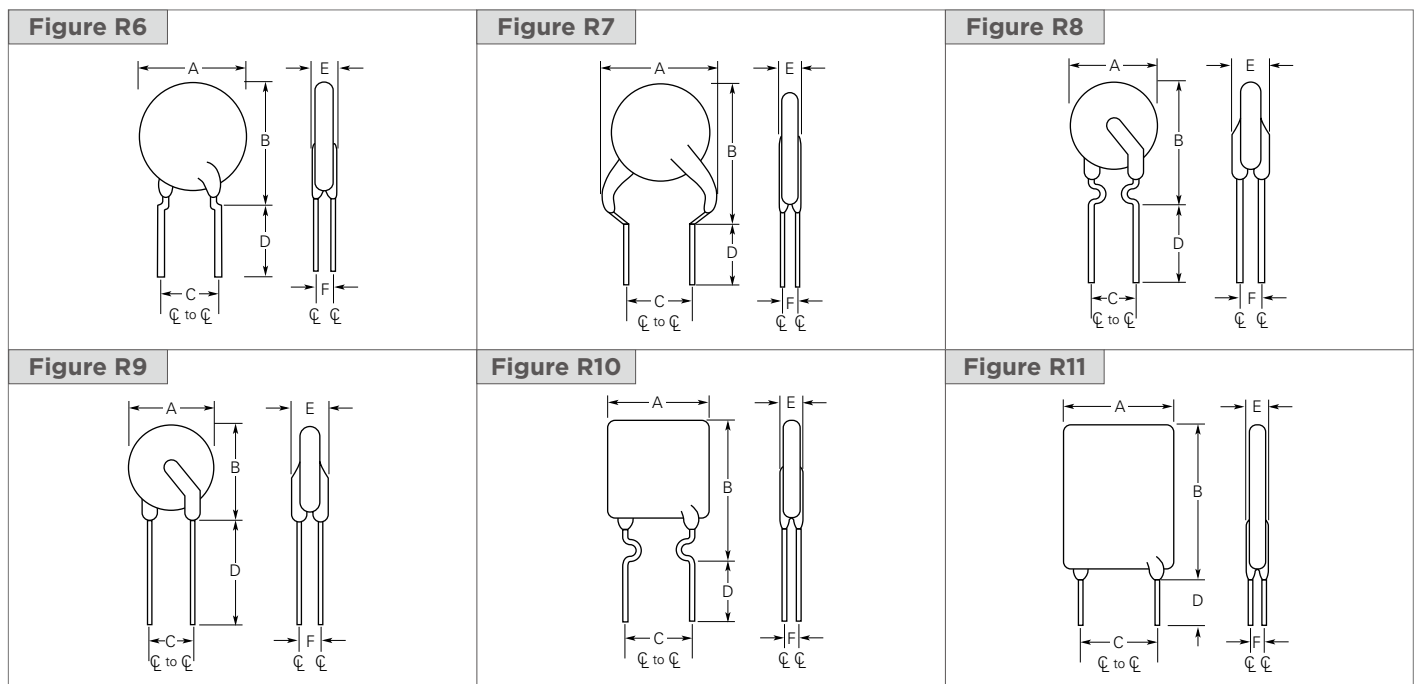
(Cont'd)

| Part Number | I_H (A) | I_T (A) | V_{MAX} | | I_{MAX} | | $P_{D\text{Typ}}$ (W) | Max Time-to-trip | | R_{MIN} (Ω) | R_{MAX} (Ω) | R_{1MAX} (Ω) | Lead Size [mm ² (AWG)] |
|--------------------------------------|--------------|--------------|--------------|------------------------|----------------|-----------------|--------------------------|------------------|------|---------------------------|---------------------------|----------------------------|--------------------------------------|
| | | | (V_{DC}) | ($V_{AC\text{RMS}}$) | (DC_{ADC}) | (AC_{ARMS}) | | (A) | (s) | | | | |
| RHEF*; 16V - High Temperature | | | | | | | | | | | | | |
| RHEF200 | 2.0 | 3.8 | 16 | — | 100 | — | 1.4 | 10.0 | 4.3 | 0.0450 | 0.07400 | 0.1100 | [0.205mm ² (24)] |
| RHEF300 | 3.0 | 6.0 | 16 | — | 100 | — | 3.0 | 15.0 | 5.0 | 0.0330 | 0.05300 | 0.0790 | [0.520mm ² (20)] |
| RHEF400 | 4.0 | 7.5 | 16 | — | 100 | — | 3.3 | 20.0 | 5.0 | 0.0240 | 0.04000 | 0.0600 | [0.520mm ² (20)] |
| RHEF450 | 4.5 | 7.8 | 16 | — | 100 | — | 3.6 | 22.5 | 3.0 | 0.0220 | 0.03600 | 0.0540 | [0.520mm ² (20)] |
| RHEF550 | 5.5 | 10.0 | 16 | — | 100 | — | 3.5 | 27.5 | 6.0 | 0.0150 | 0.02500 | 0.0370 | [0.520mm ² (20)] |
| RHEF600 | 6.0 | 10.8 | 16 | — | 100 | — | 4.1 | 30.0 | 5.0 | 0.0130 | 0.02150 | 0.0320 | [0.520mm ² (20)] |
| RHEF650 | 6.5 | 12.0 | 16 | — | 100 | — | 4.1 | 32.5 | 5.5 | 0.0110 | 0.01750 | 0.0260 | [0.520mm ² (20)] |
| RHEF700 | 7.0 | 13.0 | 16 | — | 100 | — | 4.0 | 35.0 | 7.0 | 0.0100 | 0.01640 | 0.0250 | [0.520mm ² (20)] |
| RHEF750 | 7.5 | 13.1 | 16 | — | 100 | — | 4.5 | 37.5 | 7.0 | 0.0094 | 0.01530 | 0.0220 | [0.520mm ² (20)] |
| RHEF800 | 8.0 | 15.0 | 16 | — | 100 | — | 4.2 | 40.0 | 8.0 | 0.0080 | 0.01350 | 0.0200 | [0.520mm ² (20)] |
| RHEF900 | 9.0 | 16.5 | 16 | — | 100 | — | 5.0 | 45.0 | 10.0 | 0.0074 | 0.01200 | 0.0170 | [0.520mm ² (20)] |
| RHEF1000 | 10.0 | 18.5 | 16 | — | 100 | — | 5.3 | 50.0 | 9.0 | 0.0062 | 0.01050 | 0.0150 | [0.520mm ² (20)] |
| RHEF1100 | 11.0 | 20.0 | 16 | — | 100 | — | 5.5 | 55.0 | 11.0 | 0.0055 | 0.00900 | 0.0130 | [0.520mm ² (20)] |
| RHEF1300 | 13.0 | 24.0 | 16 | — | 100 | — | 6.9 | 65.0 | 13.0 | 0.0041 | 0.00690 | 0.0100 | [0.823mm ² (18)] |
| RHEF1400 | 14.0 | 27.0 | 16 | — | 100 | — | 6.9 | 70.0 | 13.0 | 0.0030 | 0.00600 | 0.0090 | [0.823mm ² (18)] |
| RHEF1500 | 15.0 | 28.0 | 16 | — | 100 | — | 7.0 | 75.0 | 20.0 | 0.0032 | 0.00613 | 0.0092 | [0.823mm ² (18)] |
| RUSBF; 6V | | | | | | | | | | | | | |
| RUSBF075 | 0.75 | 1.30 | 6 | — | 40 | — | 0.3 | 8.0 | 0.4 | 0.110 | 0.1750 | 0.23 | [0.205mm ² (24)] |
| RUSBF120 | 1.20 | 2.00 | 6 | — | 40 | — | 0.6 | 8.0 | 0.5 | 0.070 | 0.0975 | 0.14 | [0.205mm ² (24)] |
| RUSBF155 | 1.55 | 2.65 | 6 | — | 40 | — | 0.6 | 7.8 | 2.2 | 0.040 | 0.0705 | 0.10 | [0.205mm ² (24)] |

Notes:

- I_H : Hold current: maximum current device will pass without interruption in 20°C still air.
- I_T : Trip current: minimum current that will switch the device from low resistance to high resistance in 20°C still air.
- V_{MAX} : Maximum continuous voltage device can withstand without damage at rated current.
- I_{MAX} : Maximum fault current device can withstand without damage at rated voltage.
- P_D : Power dissipated from device when in the tripped state in 20°C still air.
- R_{MIN} : Minimum resistance of device as supplied at 20°C unless otherwise specified.
- R_{MAX} : Maximum resistance of device as supplied at 20°C unless otherwise specified.
- R_{1MAX} : Maximum resistance of device when measured one hour post reflow (surface-mount device) or one hour post trip (radial-leaded device) at 20°C unless otherwise specified.
- * Electrical characteristics determined at 25°C.

Figures R6-R14 – Dimension Figures



PolySwitch Resettable Devices
Radial-Leaded Devices
Table R4 – Dimensions and Weights

(Cont'd)

| Part Number | Dimensions in Millimeters (Inches) | | | | | | | | | | | | | Figure | Device Mass (g) (Only for Reference) |
|------------------|------------------------------------|-----------------|-----|-----------------|----------------|-----------------|----------------|-----|-----|----------------|-----|-----------------|---------------|------------------|---|
| | A | | B | | C | | D | | E | | F | H | J | | |
| | Min | Max | Min | Max | Min | Max | Min | Max | Min | Max | Typ | Typ | Typ | | |
| RKEF; 60V | | | | | | | | | | | | | | | |
| RKEF050 | — | 7.10 (0.28) | — | 11.43 (0.45) | 4.32 (0.17) | 5.84 (0.23) | 7.60 (0.30) | — | — | 3.56 (0.14) | — | — | — | R10, R13, R14 | 0.166 |
| RKEF065 | — | 7.11 (0.28) | — | 12.20 (0.48) | 4.32 (0.17) | 5.84 (0.23) | 7.60 (0.30) | — | — | 3.56 (0.14) | — | — | — | R10, R13, R14 | 0.182 |
| RKEF075 | — | 7.87 (0.31) | — | 12.20 (0.48) | 4.32 (0.17) | 5.84 (0.23) | 7.60 (0.30) | — | — | 3.56 (0.14) | — | — | — | R10, R13, R14 | 0.201 |
| RKEF090 | — | 7.87 (0.31) | — | 13.97 (0.55) | 4.32 (0.17) | 5.84 (0.23) | 7.60 (0.30) | — | — | 3.56 (0.14) | — | — | — | R10, R13, R14 | 0.235 |
| RKEF110 | — | 7.60 (0.30) | — | 15.00 (0.59) | 4.32 (0.17) | 5.84 (0.23) | 7.60 (0.30) | — | — | 4.10 (0.16) | — | — | — | R10, R13, R14 | 0.353 |
| RKEF135 | — | 10.20 (0.40) | — | 17.00 (0.67) | 4.32 (0.17) | 5.84 (0.23) | 7.60 (0.30) | — | — | 3.81 (0.15) | — | — | — | R11, R13, R14 | 0.438 |
| RKEF160 | — | 12.20 (0.48) | — | 18.30 (0.72) | 4.32 (0.17) | 5.84 (0.23) | 7.60 (0.30) | — | — | 3.81 (0.15) | — | — | — | R11, R13, R14 | 0.546 |
| RKEF185 | — | 13.00 (0.51) | — | 18.80 (0.74) | 4.32 (0.17) | 5.84 (0.23) | 7.60 (0.30) | — | — | 3.81 (0.15) | — | — | — | R11, R13, R14 | 0.538 |
| RKEF250 | — | 14.00 (0.55) | — | 20.60 (0.81) | 4.32 (0.17) | 5.84 (0.23) | 7.60 (0.30) | — | — | 3.00 (0.12) | — | — | — | R11, R13, R14 | 0.775 |
| RKEF300 | — | 16.50 (0.65) | — | 21.20 (0.83) | 4.32 (0.17) | 5.84 (0.23) | 7.60 (0.30) | — | — | 3.00 (0.12) | — | — | — | R11, R13, R14 | 0.971 |
| RKEF375 | — | 16.50 (0.65) | — | 25.20 (0.99) | 9.40 (0.37) | 10.90 (0.43) | 7.60 (0.30) | — | — | 3.00 (0.12) | — | — | — | R11, R13, R14 | 1.142 |
| RKEF400 | — | 21.00 (0.83) | — | 24.90 (0.98) | 9.40 (0.37) | 10.90 (0.43) | 7.60 (0.30) | — | — | 3.00 (0.12) | — | — | — | R11, R13, R14 | 1.391 |
| RKEF500 | — | 24.10 (0.95) | — | 29.00 (1.14) | 9.40 (0.37) | 10.90 (0.43) | 7.60 (0.30) | — | — | 3.00 (0.12) | — | — | — | R11, R13, R14 | 1.783 |
| RUEF; 30V | | | | | | | | | | | | | | | |
| RUEF090 | — | 7.4 (0.29) | — | 12.2 (0.48) | 4.3 (0.17) | 5.8 (0.23) | 7.6 (0.30) | — | — | 3.0 (0.12) | — | 0.89 (0.035) | 0.8 (0.03) | R10, R13, R14 | 0.183 |
| RUEF110 | — | 7.4 (0.29) | — | 14.2 (0.56) | 4.3 (0.17) | 5.8 (0.23) | 7.6 (0.30) | — | — | 3.0 (0.12) | — | 0.89 (0.035) | 0.8 (0.03) | R10, R13, R14 | 0.204 |
| RUEF135 | — | 8.9 (0.35) | — | 13.5 (0.53) | 4.3 (0.17) | 5.8 (0.23) | 7.6 (0.30) | — | — | 3.0 (0.12) | — | 0.89 (0.035) | 1.0 (0.04) | R10, R13, R14 | 0.255 |
| RUEF160 | — | 8.9 (0.35) | — | 15.2 (0.60) | 4.3 (0.17) | 5.8 (0.23) | 7.6 (0.30) | — | — | 3.0 (0.12) | — | 0.89 (0.035) | 1.0 (0.04) | R10, R13, R14 | 0.289 |
| RUEF185 | — | 10.2 (0.40) | — | 15.7 (0.62) | 4.3 (0.17) | 5.8 (0.23) | 7.6 (0.30) | — | — | 3.0 (0.12) | — | 0.89 (0.035) | 1.0 (0.04) | R10, R13, R14 | 0.379 |
| RUEF250 | — | 11.4 (0.45) | — | 18.3 (0.72) | 4.3 (0.17) | 5.8 (0.23) | 7.6 (0.30) | — | — | 3.0 (0.12) | — | 0.89 (0.035) | 1.2 (0.05) | R10, R13, R14 | 0.493 |
| RUEF300 | — | 11.4 (0.45) | — | 16.5 (0.65) | 4.3 (0.17) | 5.8 (0.23) | 7.6 (0.30) | — | — | 3.0 (0.12) | — | 1.19 (0.047) | 1.5 (0.06) | R11, R13, R14 | 0.516 |
| RUEF400 | — | 14.0 (0.55) | — | 19.3 (0.76) | 4.3 (0.17) | 5.8 (0.23) | 7.6 (0.30) | — | — | 3.0 (0.12) | — | 1.19 (0.047) | 1.7 (0.07) | R11, R13, R14 | 0.670 |
| RUEF500 | — | 14.0 (0.55) | — | 24.1 (0.95) | 9.4 (0.37) | 10.9 (0.43) | 7.6 (0.30) | — | — | 3.0 (0.12) | — | 1.19 (0.047) | 1.0 (0.04) | R11, R13, R14 | 0.926 |
| RUEF600 | — | 16.5 (0.65) | — | 24.1 (0.95) | 9.4 (0.37) | 10.9 (0.43) | 7.6 (0.30) | — | — | 3.0 (0.12) | — | 1.19 (0.047) | 1.0 (0.04) | R11, R13, R14 | 1.352 |
| RUEF700 | — | 19.1 (0.75) | — | 25.9 (1.02) | 9.4 (0.37) | 10.9 (0.43) | 7.6 (0.30) | — | — | 3.0 (0.12) | — | 1.19 (0.047) | 1.2 (0.05) | R11, R13, R14 | 1.543 |
| RUEF800 | — | 21.6 (0.85) | — | 28.4 (1.12) | 9.4 (0.37) | 10.9 (0.43) | 7.6 (0.30) | — | — | 3.0 (0.12) | — | 1.19 (0.047) | 1.5 (0.06) | R11, R13, R14 | 1.852 |
| RUEF900 | — | 24.1 (0.95) | — | 29.0 (1.14) | 9.4 (0.37) | 10.9 (0.43) | 7.6 (0.30) | — | — | 3.0 (0.12) | — | 1.19 (0.047) | 1.5 (0.06) | R11, R13, R14 | 2.104 |

PolySwitch Resettable Devices

Radial-Leaded Devices

Figures R6-R14 – Dimension Figures

(Cont'd)

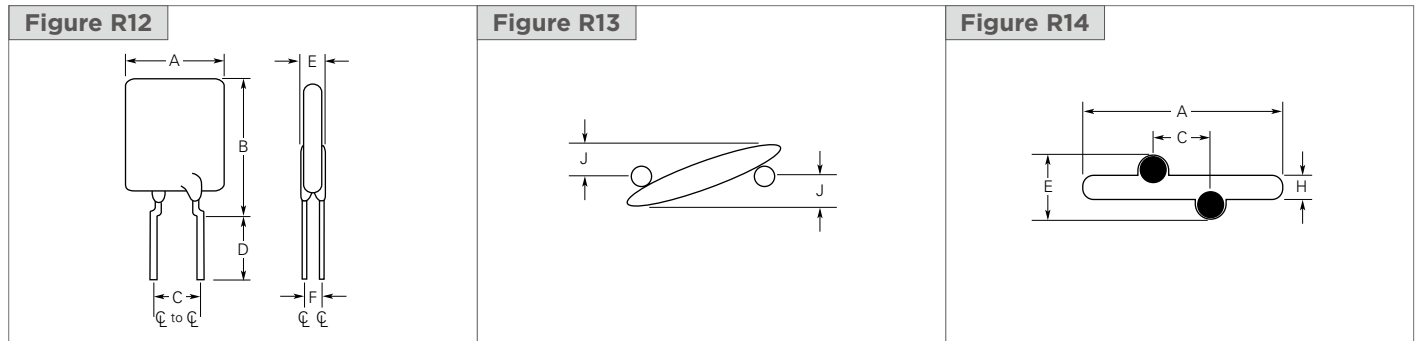


Table R4 – Dimensions and Weights

| Part Number | Dimensions in Millimeters (Inches) | | | | | | | | | | | | | | Figure | Device Mass (g) (Only for Reference) |
|------------------|------------------------------------|----------------|-----|----------------|---------------|----------------|---------------|-----|-----|---------------|-----|-----------------|---------------|-----------------|--------|---|
| | A | | B | | C | | D | | E | | F | H | J | | | |
| | Min | Max | Min | Max | Min | Max | Min | Max | Min | Max | Typ | Typ | Typ | | | |
| RXEF; 60V | | | | | | | | | | | | | | | | |
| RXEF005 | — | 8.0 (0.32) | — | 8.3 (0.33) | 4.3 (0.17) | 5.8 (0.23) | 7.6 (0.30) | — | — | 3.0 (0.12) | — | 1.07 (0.042) | 1.0 (0.04) | R7, R13, R14 | 0.069 | |
| RXEF010 | — | 7.4 (0.29) | — | 11.6 (0.46) | 4.3 (0.17) | 5.8 (0.23) | 7.6 (0.30) | — | — | 3.0 (0.12) | — | 1.07 (0.042) | 1.0 (0.04) | R8, R13, R14 | 0.128 | |
| RXEF017 | — | 7.4 (0.29) | — | 12.7 (0.50) | 4.3 (0.17) | 5.8 (0.23) | 7.6 (0.30) | — | — | 3.0 (0.12) | — | 1.68 (0.066) | 1.7 (0.07) | R8, R13, R14 | 0.174 | |
| RXEF; 72V | | | | | | | | | | | | | | | | |
| RXEF020 | — | 7.4 (0.29) | — | 11.7 (0.46) | 4.3 (0.17) | 5.8 (0.23) | 7.6 (0.30) | — | — | 3.0 (0.12) | — | 1.17 (0.046) | 1.0 (0.04) | R8, R13, R14 | 0.119 | |
| RXEF025 | — | 7.4 (0.29) | — | 12.7 (0.50) | 4.3 (0.17) | 5.8 (0.23) | 7.6 (0.30) | — | — | 3.0 (0.12) | — | 1.17 (0.046) | 1.0 (0.04) | R8, R13, R14 | 0.130 | |
| RXEF030 | — | 7.4 (0.29) | — | 12.7 (0.50) | 4.3 (0.17) | 5.8 (0.23) | 7.6 (0.30) | — | — | 3.0 (0.12) | — | 1.17 (0.046) | 1.0 (0.04) | R8, R13, R14 | 0.143 | |
| RXEF040 | — | 7.6 (0.30) | — | 13.5 (0.53) | 4.3 (0.17) | 5.8 (0.23) | 7.6 (0.30) | — | — | 3.0 (0.12) | — | 1.17 (0.046) | 1.2 (0.05) | R8, R13, R14 | 0.202 | |
| RXEF050 | — | 7.9 (0.31) | — | 13.7 (0.54) | 4.3 (0.17) | 5.8 (0.23) | 7.6 (0.30) | — | — | 3.0 (0.12) | — | 1.17 (0.046) | 1.2 (0.05) | R8, R13, R14 | 0.210 | |
| RXEF065 | — | 9.4 (0.37) | — | 14.5 (0.57) | 4.3 (0.17) | 5.8 (0.23) | 7.6 (0.30) | — | — | 3.0 (0.12) | — | 1.17 (0.046) | 1.5 (0.06) | R8, R13, R14 | 0.277 | |
| RXEF075 | — | 10.2 (0.40) | — | 15.2 (0.60) | 4.3 (0.17) | 5.8 (0.23) | 7.6 (0.30) | — | — | 3.0 (0.12) | — | 1.17 (0.046) | 1.5 (0.06) | R8, R13, R14 | 0.310 | |
| RXEF090 | — | 11.2 (0.44) | — | 15.8 (0.62) | 4.3 (0.17) | 5.8 (0.23) | 7.6 (0.30) | — | — | 3.0 (0.12) | — | 1.17 (0.046) | 1.5 (0.06) | R8, R13, R14 | 0.365 | |
| RXEF110 | — | 12.8 (0.50) | — | 17.5 (0.69) | 4.3 (0.17) | 5.8 (0.23) | 7.6 (0.30) | — | — | 3.0 (0.12) | — | 1.37 (0.054) | 1.2 (0.05) | R9, R13, R14 | 0.546 | |
| RXEF135 | — | 14.5 (0.57) | — | 19.1 (0.75) | 4.3 (0.17) | 5.8 (0.23) | 7.6 (0.30) | — | — | 3.0 (0.12) | — | 1.37 (0.054) | 1.2 (0.05) | R9, R13, R14 | 0.653 | |
| RXEF160 | — | 16.3 (0.64) | — | 20.8 (0.82) | 4.3 (0.17) | 5.8 (0.23) | 7.6 (0.30) | — | — | 3.0 (0.12) | — | 1.37 (0.054) | 1.5 (0.06) | R9, R13, R14 | 0.684 | |
| RXEF185 | — | 17.5 (0.69) | — | 22.4 (0.88) | 4.3 (0.17) | 5.8 (0.23) | 7.6 (0.30) | — | — | 3.0 (0.12) | — | 1.37 (0.054) | 1.5 (0.06) | R9, R13, R14 | 0.808 | |
| RXEF250 | — | 20.8 (0.82) | — | 25.4 (1.00) | 9.4 (0.37) | 10.9 (0.43) | 7.6 (0.30) | — | — | 3.0 (0.12) | — | 1.37 (0.054) | 1.7 (0.07) | R9, R13, R14 | 1.139 | |
| RXEF300 | — | 23.9 (0.94) | — | 28.6 (1.13) | 9.4 (0.37) | 10.9 (0.43) | 7.6 (0.30) | — | — | 3.0 (0.12) | — | 1.37 (0.054) | 1.7 (0.07) | R9, R13, R14 | 1.379 | |
| RXEF375 | — | 27.2 (1.07) | — | 31.8 (1.25) | 9.4 (0.37) | 10.9 (0.43) | 7.6 (0.30) | — | — | 3.0 (0.12) | — | 1.37 (0.054) | 1.7 (0.07) | R9, R13, R14 | 1.708 | |

PolySwitch Resettable Devices

Radial-Leaded Devices

Table R4 — Dimensions and Weights

(Cont'd)

| Part Number | Dimensions in Millimeters (Inches) | | | | | | | | | | | | | | Figure | Device Mass (g) (Only for Reference) |
|-------------------------------------|------------------------------------|-----------------|-----|----------------|---------------|----------------|---------------|-----|-----|---------------|---------------|-----------------|----------------|------------------|--------|---|
| | A | | B | | C | | D | | E | | F | H | J | | | |
| | Min | Max | Min | Max | Min | Max | Min | Max | Min | Max | Typ | Typ | Typ | | | |
| RHEF; 16V - High Temperature | | | | | | | | | | | | | | | | |
| RHEF450 | — | 10.4 (0.41) | — | 15.6 (0.61) | 4.3 (0.17) | 5.8 (0.23) | 7.6 (0.30) | — | — | 3.0 (0.12) | 1.2 (0.05) | 1.24 (0.049) | 1.6 (0.06) | R12, R13, R14 | 0.605 | |
| RHEF550 | — | 11.2 (0.44) | — | 18.9 (0.74) | 4.3 (0.17) | 5.8 (0.23) | 7.6 (0.30) | — | — | 3.0 (0.12) | 1.2 (0.05) | — | — | R12, R13, R14 | 0.704 | |
| RHEF600 | — | 11.2 (0.44) | — | 21.0 (0.83) | 4.3 (0.17) | 5.8 (0.23) | 7.6 (0.30) | — | — | 3.0 (0.12) | 1.2 (0.05) | 1.24 (0.049) | 1.7 (0.067) | R12, R13, R14 | 0.792 | |
| RHEF650 | — | 12.7 (0.50) | — | 22.2 (0.88) | 4.3 (0.17) | 5.8 (0.23) | 7.6 (0.30) | — | — | 3.0 (0.12) | 1.2 (0.05) | 1.24 (0.049) | 1.8 (0.07) | R12, R13, R14 | 0.952 | |
| RHEF700 | — | 14.0 (0.55) | — | 21.9 (0.86) | 4.3 (0.17) | 5.8 (0.23) | 7.6 (0.30) | — | — | 3.0 (0.12) | 1.2 (0.05) | — | — | R12, R13, R14 | 0.850 | |
| RHEF750 | — | 14.0 (0.55) | — | 23.5 (0.93) | 4.3 (0.17) | 5.8 (0.23) | 7.6 (0.30) | — | — | 3.0 (0.12) | 1.2 (0.05) | 1.24 (0.049) | 2.0 (0.08) | R12, R13, R14 | 1.054 | |
| RHEF800 | — | 16.5 (0.65) | — | 22.5 (0.88) | 4.3 (0.17) | 5.8 (0.23) | 7.6 (0.30) | — | — | 3.0 (0.12) | 1.2 (0.05) | — | — | R12, R13, R14 | 1.073 | |
| RHEF900 | — | 16.5 (0.65) | — | 25.7 (1.01) | 4.3 (0.17) | 5.8 (0.23) | 7.6 (0.30) | — | — | 3.0 (0.12) | 1.2 (0.05) | — | — | R12, R13, R14 | 1.516 | |
| RHEF1000 | — | 17.5 (0.69) | — | 26.5 (1.04) | 9.4 (0.37) | 10.9 (0.43) | 7.6 (0.30) | — | — | 3.0 (0.12) | 1.2 (0.05) | 1.24 (0.049) | 1.5 (0.06) | R12, R13, R14 | 1.791 | |
| RHEF1100 | — | 21.0 (0.83) | — | 26.1 (1.03) | 9.4 (0.37) | 10.9 (0.43) | 7.6 (0.30) | — | — | 3.0 (0.12) | 1.2 (0.05) | — | — | R12, R13, R14 | 1.570 | |
| RHEF1300 | — | 23.5 (0.925) | — | 28.7 (1.13) | 9.4 (0.37) | 10.9 (0.43) | 7.6 (0.30) | — | — | 3.6 (0.14) | 1.4 (0.06) | 1.45 (0.057) | 1.9 (0.084) | R12, R13, R14 | 2.257 | |
| RHEF1400 | — | 23.5 (0.925) | — | 28.6 (1.13) | 9.4 (0.37) | 10.9 (0.43) | 7.6 (0.30) | — | — | 3.6 (0.14) | 1.4 (0.06) | — | — | R12, R13, R14 | 2.051 | |
| RHEF1500 | — | 23.5 (0.925) | — | 28.7 (1.13) | 9.4 (0.37) | 10.9 (0.43) | 7.6 (0.30) | — | — | 3.6 (0.14) | 1.4 (0.06) | 1.45 (0.057) | 1.9 (0.084) | R12, R13, R14 | 2.257 | |
| RUSBF; 6V | | | | | | | | | | | | | | | | |
| RUSBF075 | — | 6.9 (0.27) | — | 11.4 (0.45) | 4.3 (0.17) | 5.9 (0.23) | 7.6 (0.30) | — | — | 3.1 (0.12) | — | 0.91 (0.036) | 1.0 (0.04) | R8, R13, R14 | 0.123 | |
| RUSBF120 | — | 6.9 (0.27) | — | 11.7 (0.46) | 4.3 (0.17) | 5.9 (0.23) | 7.6 (0.30) | — | — | 3.1 (0.12) | — | 0.91 (0.036) | 1.0 (0.04) | R8, R13, R14 | 0.111 | |
| RUSBF155 | — | 6.9 (0.27) | — | 11.7 (0.46) | 4.3 (0.17) | 5.9 (0.23) | 7.6 (0.30) | — | — | 3.1 (0.12) | — | 0.91 (0.036) | 1.0 (0.04) | R8, R13, R14 | 0.135 | |

PolySwitch Resettable Devices

Radial-Leaded Devices

Table R4 — Dimensions and Weights

(Cont'd)

| Part Number | Dimensions in Millimeters (Inches) | | | | | | | | | | | | | | Figure | Device Mass (g) (Only for Reference) |
|-------------------------------------|------------------------------------|-----------------|----------------|----------------|---------------|----------------|----------------|----------------|---------------|---------------|---------------|-----------------|---------------|------------------|--------|---|
| | A | | B | | C | | D | | E | | F | H | J | | | |
| | Min | Max | Min | Max | Min | Max | Min | Max | Min | Max | Typ | Typ | Typ | | | |
| RHEF; 30V - High Temperature | | | | | | | | | | | | | | | | |
| RHEF050 | — | 7.4 (0.29) | — | 12.7 (0.50) | 4.3 (0.17) | 5.8 (0.23) | 7.6 (0.30) | — | — | 3.0 (0.12) | 1.2 (0.05) | — | — | R8, R13, R14 | 0.177 | |
| RHEF070 | — | 6.9 (0.27) | — | 10.8 (0.43) | 4.3 (0.17) | 5.8 (0.23) | 7.6 (0.30) | — | — | 3.0 (0.12) | 1.2 (0.05) | 1.24 (0.049) | 1.2 (0.05) | R10, R13, R14 | 0.259 | |
| RHEF100 | — | 9.7 (0.38) | — | 13.6 (0.54) | 4.3 (0.17) | 5.8 (0.23) | 7.6 (0.30) | — | — | 3.0 (0.12) | — | — | — | R8, R13, R14 | 0.312 | |
| RUSBF; 16V | | | | | | | | | | | | | | | | |
| RUSBF090 | — | 7.4 (0.29) | — | 12.2 (0.48) | 4.3 (0.17) | 5.8 (0.23) | 7.6 (0.30) | — | — | 3.1 (0.12) | — | 0.89 (0.035) | 0.8 (0.03) | R10, R13, R14 | 0.183 | |
| RUSBF110 | — | 7.4 (0.29) | — | 14.2 (0.56) | 4.3 (0.17) | 5.8 (0.23) | 7.6 (0.30) | — | — | 3.0 (0.12) | — | 0.89 (0.035) | 0.8 (0.03) | R10, R13, R14 | 0.204 | |
| RUSBF135 | — | 8.9 (0.35) | — | 13.5 (0.53) | 4.3 (0.17) | 5.8 (0.23) | 7.6 (0.30) | — | — | 3.0 (0.12) | — | 0.89 (0.035) | 1.0 (0.04) | R10, R13, R14 | 0.240 | |
| RUSBF160 | — | 8.9 (0.35) | — | 15.2 (0.60) | 4.3 (0.17) | 5.8 (0.23) | 7.6 (0.30) | — | — | 3.0 (0.12) | — | 0.89 (0.035) | 1.0 (0.04) | R10, R13, R14 | 0.300 | |
| RUSBF185 | — | 10.2 (0.40) | — | 15.7 (0.62) | 4.3 (0.17) | 5.8 (0.23) | 7.6 (0.30) | — | — | 3.0 (0.12) | — | 0.89 (0.035) | 1.0 (0.04) | R10, R13, R14 | 0.368 | |
| RUSBF250 | — | 11.4 (0.45) | — | 18.3 (0.72) | 4.3 (0.17) | 5.8 (0.23) | 7.6 (0.30) | — | — | 3.0 (0.12) | — | 0.89 (0.035) | 1.2 (0.05) | R10, R13, R14 | 0.467 | |
| RGEF; 16V | | | | | | | | | | | | | | | | |
| RGEF250 | — | 8.9 (0.35) | — | 12.8 (0.50) | 4.3 (0.17) | 5.8 (0.23) | 3.18 (0.13) | 6.18 (0.24) | — | 3.0 (0.12) | 1.2 (0.05) | 1.24 (0.049) | 1.2 (0.05) | R10, R13, R14 | 0.277 | |
| RGEF300 | 6.1 (0.24) | 7.1 (0.28) | 6.1 (0.24) | 11.0 (0.43) | 4.3 (0.17) | 5.8 (0.23) | 7.6 (0.30) | — | 2.0 (0.08) | 3.0 (0.12) | 1.2 (0.05) | 1.24 (0.049) | 1.2 (0.05) | R11, R13, R14 | 0.323 | |
| RGEF400 | 7.9 (0.31) | 8.9 (0.35) | 7.9 (0.31) | 12.8 (0.50) | 4.3 (0.17) | 5.8 (0.23) | 7.6 (0.30) | — | 2.0 (0.08) | 3.0 (0.12) | 1.2 (0.05) | 1.24 (0.049) | 1.4 (0.06) | R11, R13, R14 | 0.417 | |
| RGEF500 | 9.4 (0.37) | 10.4 (0.41) | 9.4 (0.37) | 14.3 (0.56) | 4.3 (0.17) | 5.8 (0.23) | 7.6 (0.30) | — | 2.0 (0.08) | 3.0 (0.12) | 1.2 (0.05) | 1.24 (0.049) | 1.6 (0.06) | R11, R13, R14 | 0.540 | |
| RGEF600 | 9.7 (0.38) | 10.7 (0.42) | 12.2 (0.48) | 17.1 (0.67) | 4.3 (0.17) | 5.8 (0.23) | 7.6 (0.30) | — | 2.0 (0.08) | 3.0 (0.12) | 1.2 (0.05) | 1.24 (0.049) | 1.6 (0.06) | R11, R13, R14 | 0.604 | |
| RGEF700 | 10.2 (0.40) | 11.2 (0.44) | 14.7 (0.58) | 19.7 (0.78) | 4.3 (0.17) | 5.8 (0.23) | 7.6 (0.30) | — | 2.0 (0.08) | 3.0 (0.12) | 1.2 (0.05) | 1.24 (0.049) | 1.7 (0.07) | R11, R13, R14 | 0.701 | |
| RGEF800 | 11.7 (0.46) | 12.7 (0.50) | 16.0 (0.63) | 20.9 (0.82) | 4.3 (0.17) | 5.8 (0.23) | 7.6 (0.30) | — | 2.0 (0.08) | 3.0 (0.12) | 1.2 (0.05) | 1.24 (0.049) | 1.8 (0.07) | R11, R13, R14 | 0.829 | |
| RGEF900 | 13.0 (0.51) | 14.0 (0.55) | 16.8 (0.66) | 21.7 (0.85) | 4.3 (0.17) | 5.8 (0.23) | 7.6 (0.30) | — | 2.0 (0.08) | 3.0 (0.12) | 1.2 (0.05) | 1.24 (0.049) | 2.0 (0.08) | R11, R13, R14 | 0.887 | |
| RGEF1000 | — | 16.5 (0.65) | 21.1 (0.83) | 25.2 (0.99) | 4.3 (0.17) | 5.8 (0.23) | 7.6 (0.30) | — | 2.0 (0.08) | 3.0 (0.12) | 1.2 (0.05) | 1.24 (0.049) | 2.0 (0.08) | R11, R13, R14 | 1.219 | |
| RGEF1100 | 16.5 (0.65) | 17.5 (0.69) | 21.1 (0.83) | 26.0 (1.02) | 4.3 (0.17) | 5.8 (0.23) | 7.6 (0.30) | — | 2.0 (0.08) | 3.0 (0.12) | 1.2 (0.05) | 1.24 (0.049) | 2.4 (0.09) | R11, R13, R14 | 1.408 | |
| RGEF1200 | 16.4 (0.65) | 17.5 (0.69) | 22.6 (0.89) | 28.0 (1.10) | 9.4 (0.37) | 10.9 (0.43) | 7.6 (0.30) | — | 2.3 (0.09) | 3.5 (0.14) | 1.4 (0.06) | 1.45 (0.057) | 1.5 (0.06) | R11, R13, R14 | 1.650 | |
| RGEF1400 | — | 23.5 (0.925) | 22.6 (0.89) | 27.9 (1.10) | 9.4 (0.37) | 10.9 (0.43) | 7.6 (0.30) | — | 2.3 (0.09) | 3.5 (0.14) | 1.4 (0.06) | 1.45 (0.057) | 1.9 (0.08) | R11, R13, R14 | 2.146 | |
| RHEF; 16V - High Temperature | | | | | | | | | | | | | | | | |
| RHEF200 | — | 9.4 (0.37) | — | 14.4 (0.57) | 4.3 (0.17) | 5.8 (0.23) | 7.6 (0.30) | — | — | 3.1 (0.12) | — | — | — | R8, R13, R14 | 0.278 | |
| RHEF300 | — | 8.8 (0.35) | — | 13.8 (0.55) | 4.3 (0.17) | 5.8 (0.23) | 7.6 (0.30) | — | — | 3.0 (0.12) | 1.2 (0.05) | — | — | R12, R13, R14 | 0.433 | |
| RHEF400 | — | 10.0 (0.39) | — | 15.0 (0.59) | 4.3 (0.17) | 5.8 (0.23) | 7.6 (0.30) | — | — | 3.0 (0.12) | 1.2 (0.05) | 1.24 (0.049) | 1.6 (0.06) | R12, R13, R14 | 0.509 | |

PolySwitch Resettable Devices

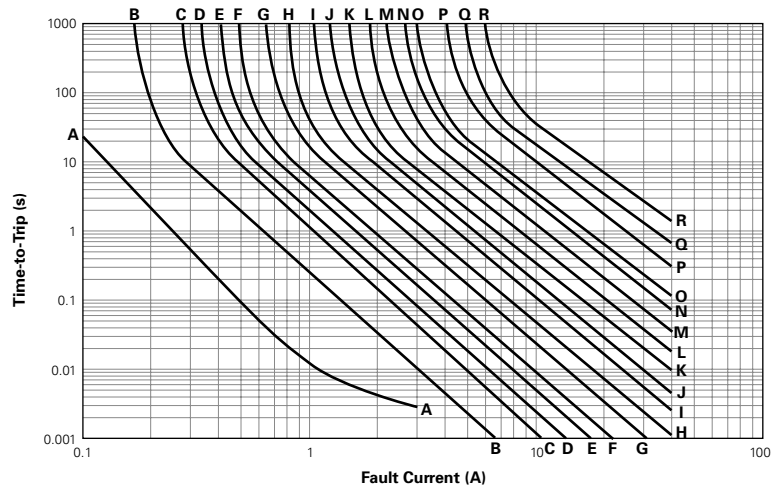
Radial-Leaded Devices

Figures R15-R20 – Typical Time-to-Trip Curves at 20°C

RXEF

| | |
|-------------|-------------|
| A = RXEF005 | J = RXEF075 |
| B = RXEF010 | K = RXEF090 |
| C = RXEF017 | L = RXEF110 |
| D = RXEF020 | M = RXEF135 |
| E = RXEF025 | N = RXEF160 |
| F = RXEF030 | O = RXEF185 |
| G = RXEF040 | P = RXEF250 |
| H = RXEF050 | Q = RXEF300 |
| I = RXEF065 | R = RXEF375 |

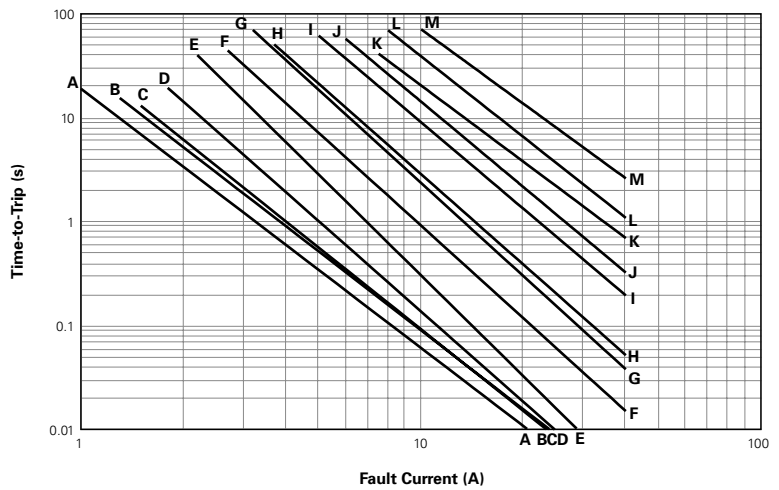
Figure R15



RKEF

| | |
|-------------|-------------|
| A = RKEF050 | J = RKEF300 |
| B = RKEF065 | K = RKEF375 |
| C = RKEF075 | L = RKEF400 |
| D = RKEF090 | M = RKEF500 |
| E = RKEF110 | |
| F = RKEF135 | |
| G = RKEF160 | |
| H = RKEF185 | |
| I = RKEF250 | |

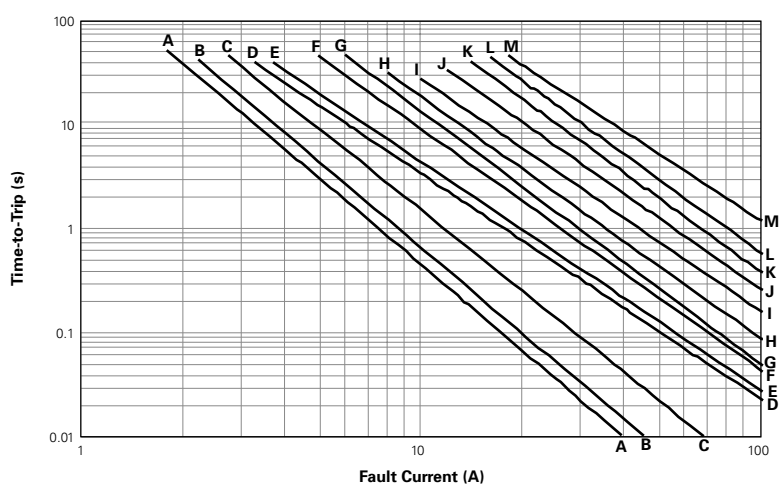
Figure R16



RUEF

| | |
|-------------|-------------|
| A = RUEF090 | H = RUEF400 |
| B = RUEF110 | I = RUEF500 |
| C = RUEF135 | J = RUEF600 |
| D = RUEF160 | K = RUEF700 |
| E = RUEF185 | L = RUEF800 |
| F = RUEF250 | M = RUEF900 |
| G = RUEF300 | |

Figure R17



PolySwitch Resettable Devices

Radial-Leaded Devices

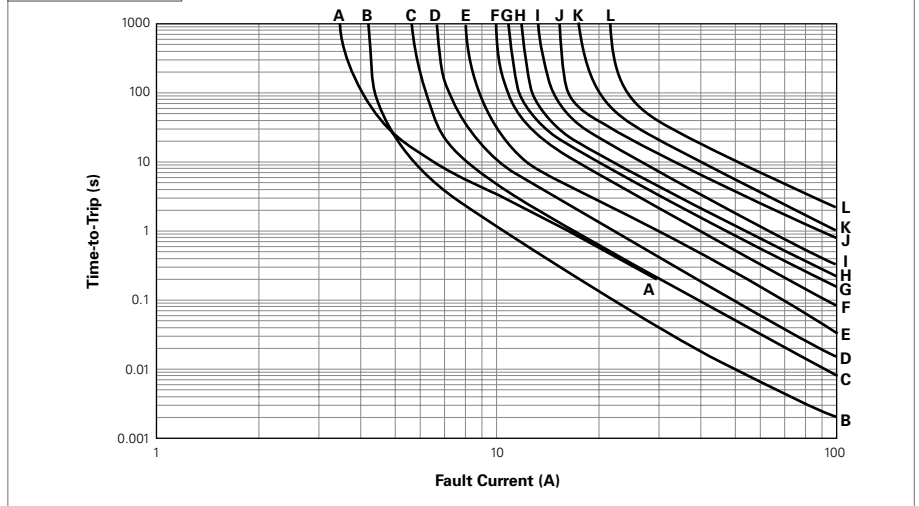
Figures R15-R20 – Typical Time-to-Trip Curves at 20°C

(Cont'd)

RGEF (data at 25°C)

| | |
|-------------|--------------|
| A = RGEF250 | G = RGEF800 |
| B = RGEF300 | H = RGEF900 |
| C = RGEF400 | I = RGEF1000 |
| D = RGEF500 | J = RGEF1100 |
| E = RGEF600 | K = RGEF1200 |
| F = RGEF700 | L = RGEF1400 |

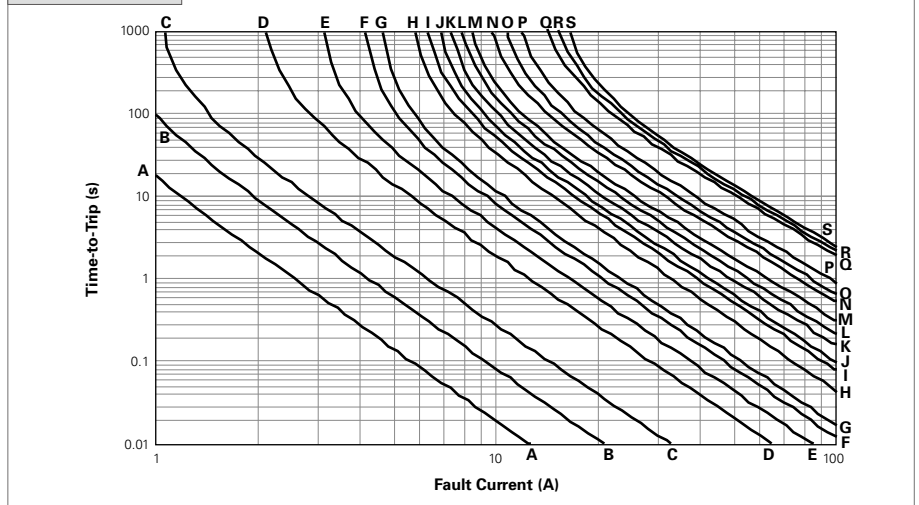
Figure R18



RHEF (data at 25°C)

| | |
|-------------|--------------|
| A = RHEF050 | K = RHEF700 |
| B = RHEF070 | L = RHEF750 |
| C = RHEF100 | M = RHEF800 |
| D = RHEF200 | N = RHEF900 |
| E = RHEF300 | O = RHEF1000 |
| F = RHEF400 | P = RHEF1100 |
| G = RHEF450 | Q = RHEF1300 |
| H = RHEF550 | R = RHEF1400 |
| I = RHEF600 | S = RHEF1500 |
| J = RHEF650 | |

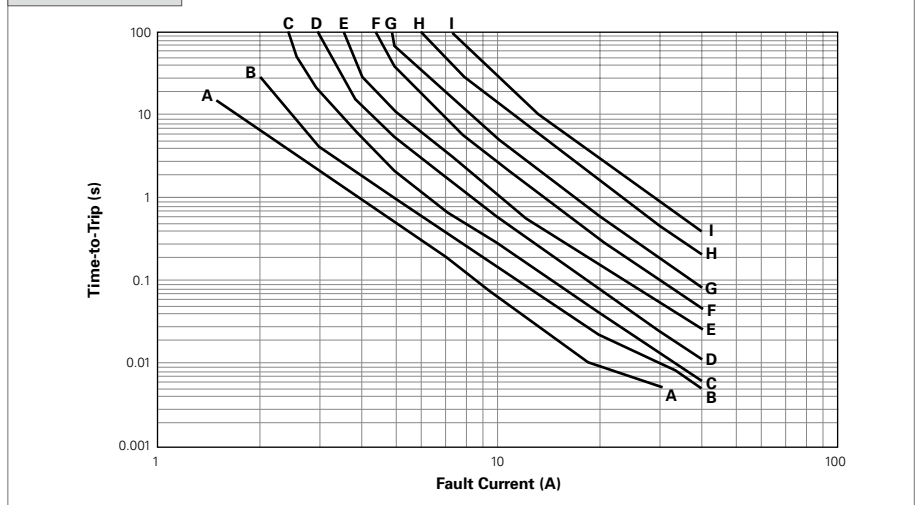
Figure R19



RUSBF

| |
|--------------|
| A = RUSBF075 |
| B = RUSBF090 |
| C = RUSBF110 |
| D = RUSBF120 |
| E = RUSBF135 |
| F = RUSBF155 |
| G = RUSBF160 |
| H = RUSBF185 |
| I = RUSBF250 |

Figure R20



PolySwitch Resettable Devices

Radial-Leaded Devices

Table R5 — Physical Characteristics and Environmental Specifications

| RXEF | | |
|---------------------------|--|---|
| Physical Characteristics | | |
| Lead Material | RXEF005 | : Tin-plated Nickel-copper Alloy, 0.128mm ² (26AWG), ø0.40mm (0.016in) |
| | RXEF010 | : Tin-plated Nickel-copper Alloy, 0.205mm ² (24AWG), ø0.51mm (0.020in) |
| | RXEF017 to 040 | : Tin-plated Copper-clad Steel, 0.205mm ² (24AWG), ø0.51mm (0.020in) |
| | RXEF050 to 090 | : Tin-plated Copper, 0.205mm ² (24AWG), ø0.51mm (0.020in) |
| | RXEF110 to 375 | : Tin-plated Copper, 0.52mm ² (20AWG), ø0.81mm (0.032in) |
| Soldering Characteristics | Solderability per ANSI/J-STD-002 Category 3 | |
| | RXEF005, RXEF010 Meet ANSI/J-STD-002 Category 1 | |
| Solder Heat Withstand | RXEF005- RXEF025: per IEC-STD 68-2-20, Test Tb, Method 1a, Condition a; Can Withstand 5s at 260°C ±5°C | |
| | All Other Sizes : per IEC-STD 68-2-20, Test Tb, Method 1a, Condition b; Can Withstand 10s at 260°C ±5°C | |
| | | |
| Insulating Material | Cured, Flame-retardant Epoxy Polymer; Meets UL 94V-0 | |
| Operation Temperature | -40°C~85°C | |

Note: Devices are not designed to be placed through a reflow process.

| Environmental Specifications | | |
|------------------------------|--------------------------|-------------------|
| Test | Conditions | Resistance Change |
| Passive Aging | -40°C, 1000 hrs | ±5% |
| | 85°C, 1000 hrs | ±5% |
| Humidity Aging | 85°C, 85%RH, 1000 hrs | ±10% |
| Thermal Shock | 85°C, -40°C (10 Times) | ±10% |
| Solvent Resistance | MIL-STD-202, Method 215F | No Change |

| RKEF | | |
|---------------------------|---|--|
| Physical Characteristics | | |
| Lead Material | RKEF050 to 090 | : Tin-plated Copper, 0.205mm ² (24AWG), ø0.51mm (0.020in) |
| | RKEF110 to 500 | : Tin-plated Copper, 0.52mm ² (20AWG), ø0.81mm (0.032in) |
| Soldering Characteristics | Solderability per ANSI/J-STD-002 Category 3 | |
| Solder Heat Withstand | RKEF050-RKEF185: per IEC-STD 68-2-20, Test Tb, Method 1a, Condition a; Can Withstand 5s at 260°C ±5°C | |
| | All Other Sizes : per IEC-STD 68-2-20, Test Tb, Method 1a, Condition b; RKEF Can Withstand 10s at 260°C ±5°C | |
| | | |
| Insulating Material | Cured, Flame-retardant Epoxy Polymer; Meets UL 94V-0 | |
| Operation Temperature | -40°C~85°C | |

Note: Devices are not designed to be placed through a reflow process.

| Environmental Specifications | | |
|------------------------------|--------------------------|-------------------|
| Test | Conditions | Resistance Change |
| Passive Aging | -40°C, 1000 hrs | ±5% |
| | 85°C, 1000 hrs | ±5% |
| Humidity Aging | 85°C, 85%RH, 1000 hrs | ±10% |
| Thermal Shock | 85°C, -40°C (10 Times) | ±10% |
| Solvent Resistance | MIL-STD-202, Method 215F | No Change |

PolySwitch Resettable Devices

Radial-Leaded Devices

Table R5 — Physical Characteristics and Environmental Specifications

(Cont'd)

| RUEF | |
|---------------------------|---|
| Physical Characteristics | |
| Lead Material | RUEF090 to RUEF250: Tin-plated Copper-clad Steel, 0.205mm ² (24AWG) RUEF300 to RUEF900: Tin-plated Copper, 0.52mm ² (20AWG), ø0.81mm (0.032in) |
| Soldering Characteristics | Solderability per ANSI/J-STD-002 Category 3 |
| Solder Heat Withstand | per IEC-STD 68-2-20, Test Tb, Method1A, Condition B, Can Withstand 10s at 260°C ±5°C |
| Insulating Material | Cured, Flame-retardant Epoxy Polymer; Meets UL 94V-0 |
| Operation Temperature | -40°C~85°C |

Note: Devices are not designed to be placed through a reflow process.

| Environmental Specifications | | |
|------------------------------|--------------------------|-------------------|
| Test | Conditions | Resistance Change |
| Passive Aging | 70°C, 1000 hrs | ±5% |
| | 85°C, 1000 hrs | ±5% |
| Humidity Aging | 85°C, 85%RH, 1000 hrs | ±5% |
| Thermal Shock | 85°C, -40°C (10 times) | ±5% |
| Solvent Resistance | MIL-STD-202, Method 215F | No Change |

| RUSBF | |
|---------------------------|--|
| Physical Characteristics | |
| Lead Material | RUSBF075 : Tin-plated Nickel-copper Alloy, 0.205mm ² (24AWG), ø0.51mm/0.020in RUSBF090 to RUSBF250: Tin-plated Copper-clad Steel, 0.205mm ² (24AWG), ø0.51mm/0.020in |
| Soldering Characteristics | Solderability per ANSI/J-STD-002 Category 3 Except RUSBF075 Meet ANSI/J-STD-002 Category 1 |
| Solder Heat Withstand | RUSBF120: per IEC-STD 68-2-20, Test Tb, Method 1A, Condition A; Can Withstand 5s at 260°C ±5°C All Others : per IEC-STD 68-2-20, Test Tb, Method 1A, Condition B; Can Withstand 10s at 260°C ±5°C |
| Insulating Material | Cured, Flame-retardant Epoxy Polymer; Meets UL 94V-0 |
| Operation Temperature | -40°C~85°C |

Note: Devices are not designed to be placed through a reflow process.

| Environmental Specifications | | |
|------------------------------|--------------------------|-------------------|
| Test | Conditions | Resistance Change |
| Passive Aging | 70°C, 1000 hrs | ±5% |
| | 85°C, 1000 hrs | ±5% |
| Humidity Aging | 85°C, 85%RH, 1000 hrs | ±5% |
| Thermal Shock | 85°C, -40°C (10 Times) | ±5% |
| Solvent Resistance | MIL-STD-202, Method 215F | No change |

PolySwitch Resettable Devices

Radial-Leaded Devices

Table R5 — Physical Characteristics and Environmental Specifications

(Cont'd)

| RGEF | |
|---------------------------|---|
| Physical Characteristics | |
| Lead Material | RGEF250 : Tin-plated Copper-clad Steel, 0.205mm ² (24AWG), ø0.51mm/0.020in RGEF300 to RGEF1100 : Tin-plated Copper, 0.52mm ² (20AWG), ø0.81mm/0.032in RGEF1200 to RGEF1400: Tin-plated Copper, 0.82mm ² (18AWG), ø1.0mm/0.04in |
| Soldering Characteristics | Solderability per ANSI/J-STD-002 Category 3 |
| Solder Heat Withstand | RGEF250 and RGEF400 : per IEC 68-2-20, Test Tb, Method 1a, Condition a; can withstand 5s at 260°C ±5°C RGEF500 to RGEF1400 : per IEC 68-2-20, Test Tb, Method 1a, Condition b; can withstand 10s at 260°C ±5°C |
| Insulating Material | Cured, Flame-retardant Epoxy Polymer; Meets UL 94V-0 |
| Operation Temperature | -40°C~85°C |

Note: Devices are not designed to be placed through a reflow process.

| Environmental Specifications | | |
|------------------------------|--------------------------|-------------------|
| Test | Conditions | Resistance Change |
| Passive Aging | -40°C, 1000 hrs | ±5% |
| | 85°C, 1000 hrs | ±5% |
| Humidity Aging | 85°C, 85%RH, 1000 hrs | ±5% |
| Thermal Shock | 85°C, -40°C (10 Times) | ±5% |
| Solvent Resistance | MIL-STD-202, Method 215F | No Change |

| RHEF | |
|---------------------------|--|
| Physical Characteristics | |
| Lead Material | RHEF050 to RHEF200 : Tin-plated Copper-clad Steel, 0.205mm ² (24AWG), ø0.51mm/0.020in RHEF300 to RHEF1100 : Tin-plated Copper, 0.52mm ² (20AWG), ø0.81mm/0.032in RHEF1300 to RHEF1500: Tin-plated Copper, 0.82mm ² (18AWG), ø1.0mm/0.04in |
| Soldering Characteristics | Solderability per ANSI/J-STD-002 Category 3 |
| Solder Heat Withstand | per IEC 68-2-20, Test Tb, Method 1A, Condition B; Can Withstand 10s at 260°C ±5°C |
| Insulating Material | Cured, Flame-retardant Epoxy Polymer; Meets UL 94V-0 |
| Operation Temperature | -40°C~125°C |

Note: Devices are not designed to be placed through a reflow process.

| Environmental Specifications | | |
|------------------------------|--------------------------|-------------------|
| Test | Conditions | Resistance Change |
| Passive Aging | 70°C, 1000 hrs | ±5% |
| | 85°C, 1000 hrs | ±5% |
| Humidity Aging | 85°C, 85%RH, 1000 hrs | ±5% |
| Thermal Shock | 125°C, -40°C (10 Times) | ±5% |
| Solvent Resistance | MIL-STD-202, Method 215F | No Change |

Storage Conditions

Storage Conditions 40°C max, 70% RH max; devices should remain in original sealed bags prior to use.
Devices may not meet specified values if these storage conditions are exceeded.

PolySwitch Resettable Devices

Radial-Leaded Devices

Table R6 – Packaging and Marking Information

| Part Number | Bag Quantity | Tape and Reel Quantity | Ammo Pack Quantity | Standard Package Quantity | Part Marking | Agency Recognition |
|-----------------|--------------|------------------------|--------------------|---------------------------|--------------|--------------------|
| RXEF 60V | | | | | | |
| RXEF005 | 500 | — | — | 10,000 | — | UL, CSA, TÜV, CQC |
| RXEF005-2 | — | 3,000 | — | 15,000 | — | UL, CSA, TÜV, CQC |
| RXEF005-AP | — | — | 2,000 | 10,000 | — | UL, CSA, TÜV, CQC |
| RXEF010 | 500 | — | — | 10,000 | X10 | UL, CSA, TÜV, CQC |
| RXEF010-2 | — | 3,000 | — | 15,000 | X10 | UL, CSA, TÜV, CQC |
| RXEF010-AP | — | — | 2,000 | 10,000 | X10 | UL, CSA, TÜV, CQC |
| RXEF017 | 500 | — | — | 10,000 | X17 | UL, CSA, TÜV, CQC |
| RXEF017-2 | — | 2,500 | — | 12,500 | X17 | UL, CSA, TÜV, CQC |
| RXEF017-AP | — | — | 2,000 | 10,000 | X17 | UL, CSA, TÜV, CQC |
| RXEF 72V | | | | | | |
| RXEF020 | 500 | — | — | 10,000 | X20 | UL, CSA, TÜV, CQC |
| RXEF020-2 | — | 3,000 | — | 15,000 | X20 | UL, CSA, TÜV, CQC |
| RXEF020-AP | — | — | 2,000 | 10,000 | X20 | UL, CSA, TÜV, CQC |
| RXEF025 | 500 | — | — | 10,000 | X25 | UL, CSA, TÜV, CQC |
| RXEF025-2 | — | 3,000 | — | 15,000 | X25 | UL, CSA, TÜV, CQC |
| RXEF025-AP | — | — | 2,000 | 10,000 | X25 | UL, CSA, TÜV, CQC |
| RXEF030 | 500 | — | — | 10,000 | X30 | UL, CSA, TÜV, CQC |
| RXEF030-2 | — | 3,000 | — | 15,000 | X30 | UL, CSA, TÜV, CQC |
| RXEF030-AP | — | — | 2,000 | 10,000 | X30 | UL, CSA, TÜV, CQC |
| RXEF040 | 500 | — | — | 10,000 | X40 | UL, CSA, TÜV, CQC |
| RXEF040-2 | — | 3,000 | — | 15,000 | X40 | UL, CSA, TÜV, CQC |
| RXEF040-AP | — | — | 2,000 | 10,000 | X40 | UL, CSA, TÜV, CQC |
| RXEF050 | 500 | — | — | 10,000 | X50 | UL, CSA, TÜV, CQC |
| RXEF050-2 | — | 3,000 | — | 15,000 | X50 | UL, CSA, TÜV, CQC |
| RXEF050-AP | — | — | 2,000 | 10,000 | X50 | UL, CSA, TÜV, CQC |
| RXEF065 | 500 | — | — | 10,000 | X65 | UL, CSA, TÜV, CQC |
| RXEF065-2 | — | 3,000 | — | 15,000 | X65 | UL, CSA, TÜV, CQC |
| RXEF065-AP | — | — | 2,000 | 10,000 | X65 | UL, CSA, TÜV, CQC |
| RXEF075 | 500 | — | — | 10,000 | X75 | UL, CSA, TÜV, CQC |
| RXEF075-2 | — | 3,000 | — | 15,000 | X75 | UL, CSA, TÜV, CQC |
| RXEF075-AP | — | — | 2,000 | 10,000 | X75 | UL, CSA, TÜV, CQC |
| RXEF090 | 500 | — | — | 10,000 | X90 | UL, CSA, TÜV, CQC |
| RXEF090-2 | — | 3,000 | — | 15,000 | X90 | UL, CSA, TÜV, CQC |
| RXEF090-AP | — | — | 2,000 | 10,000 | X90 | UL, CSA, TÜV, CQC |
| RXEF110 | 500 | — | — | 10,000 | X110 | UL, CSA, TÜV, CQC |
| RXEF110-2 | — | 1,500 | — | 7,500 | X110 | UL, CSA, TÜV, CQC |
| RXEF110-AP | — | — | 1,000 | 5,000 | X110 | UL, CSA, TÜV, CQC |
| RXEF135 | 500 | — | — | 10,000 | X135 | UL, CSA, TÜV, CQC |
| RXEF135-2 | — | 1,500 | — | 7,500 | X135 | UL, CSA, TÜV, CQC |
| RXEF135-AP | — | — | 1,000 | 5,000 | X135 | UL, CSA, TÜV, CQC |
| RXEF160 | 500 | — | — | 10,000 | X160 | UL, CSA, TÜV, CQC |
| RXEF160-2 | — | 1,500 | — | 7,500 | X160 | UL, CSA, TÜV, CQC |
| RXEF160-AP | — | — | 1,000 | 5,000 | X160 | UL, CSA, TÜV, CQC |
| RXEF185 | 500 | — | — | 10,000 | X185 | UL, CSA, TÜV, CQC |
| RXEF185-2 | — | 1,500 | — | 7,500 | X185 | UL, CSA, TÜV, CQC |
| RXEF185-AP | — | — | 1,000 | 5,000 | X185 | UL, CSA, TÜV, CQC |
| RXEF250 | 250 | — | — | 5,000 | X250 | UL, CSA, TÜV, CQC |
| RXEF250-2 | — | 1,000 | — | 5,000 | X250 | UL, CSA, TÜV, CQC |
| RXEF250-AP | — | — | 1,000 | 5,000 | X250 | UL, CSA, TÜV, CQC |

PolySwitch Resettable Devices

Radial-Leaded Devices

Table R6 – Packaging and Marking Information

(Cont'd)

| Part Number | Bag Quantity | Tape and Reel Quantity | Ammo Pack Quantity | Standard Package Quantity | Part Marking | Agency Recognition |
|-------------|--------------|------------------------|--------------------|---------------------------|--------------|--------------------|
| RXEF | | | | | | |
| 72V | | | | | | |
| RXEF300 | 250 | — | — | 5,000 | X300 | UL, CSA, TÜV, CQC |
| RXEF300-2 | — | 1,000 | — | 5,000 | X300 | UL, CSA, TÜV, CQC |
| RXEF300-AP | — | — | 1,000 | 5,000 | X300 | UL, CSA, TÜV, CQC |
| RXEF375 | 250 | — | — | 5,000 | X375 | UL, CSA, TÜV, CQC |
| RKEF | | | | | | |
| 60V | | | | | | |
| RKEF050 | 500 | — | — | 10,000 | K50 | UL, CSA, TÜV |
| RKEF065 | 500 | — | — | 10,000 | K65 | UL, CSA, TÜV |
| RKEF075 | 500 | — | — | 10,000 | K75 | UL, CSA, TÜV |
| RKEF090 | 500 | — | — | 10,000 | K90 | UL, CSA, TÜV |
| RKEF110 | 500 | — | — | 10,000 | K110 | UL, CSA, TÜV |
| RKEF135 | 500 | — | — | 10,000 | K135 | UL, CSA, TÜV |
| RKEF160 | 500 | — | — | 10,000 | K160 | UL, CSA, TÜV |
| RKEF185 | 500 | — | — | 10,000 | K185 | UL, CSA, TÜV |
| RKEF250 | 500 | — | — | 10,000 | K250 | UL, CSA, TÜV |
| RKEF300 | 250 | — | — | 5,000 | K300 | UL, CSA, TÜV |
| RKEF375 | 250 | — | — | 5,000 | K375 | UL, CSA, TÜV |
| RKEF400 | 250 | — | — | 5,000 | K400 | UL, CSA, TÜV |
| RKEF500 | 250 | — | — | 5,000 | K500 | UL, CSA, TÜV |
| RUEF | | | | | | |
| 30V | | | | | | |
| RUEF090 | 500 | — | — | 10,000 | U90 | UL, CSA, TÜV, CQC |
| RUEF090-2 | — | 3,000 | — | 15,000 | U90 | UL, CSA, TÜV, CQC |
| RUEF090-AP | — | — | 2,000 | 10,000 | U90 | UL, CSA, TÜV, CQC |
| RUEF110 | 500 | — | — | 10,000 | U110 | UL, CSA, TÜV, CQC |
| RUEF110-2 | — | 3,000 | — | 15,000 | U110 | UL, CSA, TÜV, CQC |
| RUEF110-AP | — | — | 2,000 | 10,000 | U110 | UL, CSA, TÜV, CQC |
| RUEF135 | 500 | — | — | 10,000 | U135 | UL, CSA, TÜV, CQC |
| RUEF135-2 | — | 3,000 | — | 15,000 | U135 | UL, CSA, TÜV, CQC |
| RUEF135-AP | — | — | 2,000 | 10,000 | U135 | UL, CSA, TÜV, CQC |
| RUEF160 | 500 | — | — | 10,000 | U160 | UL, CSA, TÜV, CQC |
| RUEF160-2 | — | 3,000 | — | 15,000 | U160 | UL, CSA, TÜV, CQC |
| RUEF160-AP | — | — | 2,000 | 10,000 | U160 | UL, CSA, TÜV, CQC |
| RUEF185 | 500 | — | — | 10,000 | U185 | UL, CSA, TÜV, CQC |
| RUEF185-2 | — | 3,000 | — | 15,000 | U185 | UL, CSA, TÜV, CQC |
| RUEF185-AP | — | — | 2,000 | 10,000 | U185 | UL, CSA, TÜV, CQC |
| RUEF250 | 500 | — | — | 10,000 | U250 | UL, CSA, TÜV, CQC |
| RUEF250-2 | — | 3,000 | — | 15,000 | U250 | UL, CSA, TÜV, CQC |
| RUEF250-AP | — | — | 2,000 | 10,000 | U250 | UL, CSA, TÜV, CQC |
| RUEF300 | 500 | — | — | 10,000 | U300 | UL, CSA, TÜV, CQC |
| RUEF300-2 | — | 2,500 | — | 12,500 | U300 | UL, CSA, TÜV, CQC |
| RUEF300-AP | — | — | 1,000 | 5,000 | U300 | UL, CSA, TÜV, CQC |
| RUEF400 | 500 | — | — | 10,000 | U400 | UL, CSA, TÜV, CQC |
| RUEF400-2 | — | 1,500 | — | 7,500 | U400 | UL, CSA, TÜV, CQC |
| RUEF400-AP | — | — | 1,000 | 5,000 | U400 | UL, CSA, TÜV, CQC |
| RUEF500 | 250 | — | — | 5,000 | U500 | UL, CSA, TÜV, CQC |
| RUEF500-2 | — | 1,500 | — | 7,500 | U500 | UL, CSA, TÜV, CQC |
| RUEF500-AP | — | — | 1,000 | 5,000 | U500 | UL, CSA, TÜV, CQC |
| RUEF600 | 250 | — | — | 5,000 | U600 | UL, CSA, TÜV, CQC |
| RUEF600-2 | — | 1,000 | — | 5,000 | U600 | UL, CSA, TÜV, CQC |

PolySwitch Resettable Devices

Radial-Leaded Devices

Table R6 — Packaging and Marking Information

(Cont'd)

| Part Number | Bag Quantity | Tape and Reel Quantity | Ammo Pack Quantity | Standard Package Quantity | Part Marking | Agency Recognition |
|-------------------------------|--------------|------------------------|--------------------|---------------------------|--------------|--------------------|
| RUEF | | | | | | |
| 30V | | | | | | |
| RUEF600-AP | — | — | 1,000 | 5,000 | U600 | UL, CSA, TÜV, CQC |
| RUEF700 | 250 | — | — | 5,000 | U700 | UL, CSA, TÜV, CQC |
| RUEF700-2 | — | 1,000 | — | 5,000 | U700 | UL, CSA, TÜV, CQC |
| RUEF700-AP | — | — | 1,000 | 5,000 | U700 | UL, CSA, TÜV, CQC |
| RUEF800 | 250 | — | — | 5,000 | U800 | UL, CSA, TÜV, CQC |
| RUEF800-2 | — | 1,000 | — | 5,000 | U800 | UL, CSA, TÜV, CQC |
| RUEF800-AP | — | — | 1,000 | 5,000 | U800 | UL, CSA, TÜV, CQC |
| RUEF900 | 250 | — | — | 5,000 | U900 | UL, CSA, TÜV, CQC |
| RUEF900-2 | — | 1,000 | — | 4,000 | U900 | UL, CSA, TÜV, CQC |
| RUEF900-AP | — | — | 1,000 | 4,000 | U900 | UL, CSA, TÜV, CQC |
| RHEF | | | | | | |
| 30V - High Temperature | | | | | | |
| RHEF050 | 500 | — | — | 10,000 | H0.5 | UL, CSA, TÜV |
| RHEF050-2 | — | 2,500 | — | 12,500 | H0.5 | UL, CSA, TÜV |
| RHEF070 | 500 | — | — | 10,000 | H0.7 | UL, CSA, TÜV |
| RHEF070-2 | — | 2,500 | — | 12,500 | H0.7 | UL, CSA, TÜV |
| RHEF100 | 500 | — | — | 10,000 | H1 | UL, CSA, TÜV |
| RHEF100-2 | — | 2,500 | — | 12,500 | H1 | UL, CSA, TÜV |
| RUSBF | | | | | | |
| 16V | | | | | | |
| RUSBF090 | 500 | — | — | 10,000 | R90 | UL, CSA, TÜV |
| RUSBF090-2 | — | 3,000 | — | 15,000 | R90 | UL, CSA, TÜV |
| RUSBF090-AP | — | — | 2,000 | 10,000 | R90 | UL, CSA, TÜV |
| RUSBF110 | 500 | — | — | 10,000 | R110 | UL, CSA, TÜV |
| RUSBF110-2 | — | 3,000 | — | 15,000 | R110 | UL, CSA, TÜV |
| RUSBF110-AP | — | — | 2,000 | 10,000 | R110 | UL, CSA, TÜV |
| RUSBF135 | 500 | — | — | 10,000 | R135 | UL, CSA, TÜV |
| RUSBF135-2 | — | 3,000 | — | 15,000 | R135 | UL, CSA, TÜV |
| RUSBF135-AP | — | — | 2,000 | 10,000 | R135 | UL, CSA, TÜV |
| RUSBF160 | 500 | — | — | 10,000 | R160 | UL, CSA, TÜV |
| RUSBF160-2 | — | 3,000 | — | 15,000 | R160 | UL, CSA, TÜV |
| RUSBF160-AP | — | — | 2,000 | 10,000 | R160 | UL, CSA, TÜV |
| RUSBF185 | 500 | — | — | 10,000 | R185 | UL, CSA, TÜV |
| RUSBF185-2 | — | 3,000 | — | 15,000 | R185 | UL, CSA, TÜV |
| RUSBF185-AP | — | — | 2,000 | 10,000 | R185 | UL, CSA, TÜV |
| RUSBF250 | 500 | — | — | 10,000 | R250 | UL, CSA, TÜV |
| RUSBF250-2 | — | 3,000 | — | 15,000 | R250 | UL, CSA, TÜV |
| RUSBF250-AP | — | — | 2,000 | 10,000 | R250 | UL, CSA, TÜV |
| RGEF | | | | | | |
| 16V | | | | | | |
| RGEF250 | 500 | — | — | 10,000 | G2.5 | UL, CSA, TÜV |
| RGEF250-2 | — | 3,000 | — | 15,000 | G2.5 | UL, CSA, TÜV |
| RGEF250-AP | — | — | 2,000 | 10,000 | G2.5 | UL, CSA, TÜV |
| RGEF300 | 500 | — | — | 10,000 | G3 | UL, CSA, TÜV |
| RGEF300-2 | — | 2,500 | — | 12,500 | G3 | UL, CSA, TÜV |
| RGEF300-AP | — | — | 2,000 | 10,000 | G3 | UL, CSA, TÜV |
| RGEF400 | 500 | — | — | 10,000 | G4 | UL, CSA, TÜV |
| RGEF400-2 | — | 2,500 | — | 12,500 | G4 | UL, CSA, TÜV |
| RGEF400-AP | — | — | 2,000 | 10,000 | G4 | UL, CSA, TÜV |
| RGEF500 | 500 | — | — | 10,000 | G5 | UL, CSA, TÜV |

PolySwitch Resettable Devices

Radial-Leaded Devices

Table R6 – Packaging and Marking Information

(Cont'd)

| Part Number | Bag Quantity | Tape and Reel Quantity | Ammo Pack Quantity | Standard Package Quantity | Part Marking | Agency Recognition |
|-------------------------------|--------------|------------------------|--------------------|---------------------------|--------------|--------------------|
| RGEF | | | | | | |
| 16V | | | | | | |
| RGEF500-2 | — | 2,000 | — | 10,000 | G5 | UL, CSA, TÜV |
| RGEF500-AP | — | — | 2,000 | 10,000 | G5 | UL, CSA, TÜV |
| RGEF600 | 500 | — | — | 10,000 | G6 | UL, CSA, TÜV |
| RGEF600-2 | — | 2,000 | — | 10,000 | G6 | UL, CSA, TÜV |
| RGEF600-AP | — | — | 2,000 | 10,000 | G6 | UL, CSA, TÜV |
| RGEF700 | 500 | — | — | 10,000 | G7 | UL, CSA, TÜV |
| RGEF700-2 | — | 1,500 | — | 7,500 | G7 | UL, CSA, TÜV |
| RGEF700-AP | — | — | 1,500 | 7,500 | G7 | UL, CSA, TÜV |
| RGEF800 | 500 | — | — | 10,000 | G8 | UL, CSA, TÜV |
| RGEF800-2 | — | 1,500 | — | 7,500 | G8 | UL, CSA, TÜV |
| RGEF800-AP | — | — | 1,500 | 7,500 | G8 | UL, CSA, TÜV |
| RGEF900 | 500 | — | — | 10,000 | G9 | UL, CSA, TÜV |
| RGEF900-2 | — | 1,000 | — | 5,000 | G9 | UL, CSA, TÜV |
| RGEF900-AP | — | — | 1,000 | 5,000 | G9 | UL, CSA, TÜV |
| RGEF1000 | 250 | — | — | 5,000 | G10 | UL, CSA, TÜV |
| RGEF1000-2 | — | 1,000 | — | 5,000 | G10 | UL, CSA, TÜV |
| RGEF1000-AP | — | — | 1,000 | 5,000 | G10 | UL, CSA, TÜV |
| RGEF1100 | 250 | — | — | 5,000 | G11 | UL, CSA, TÜV |
| RGEF1100-2 | — | 1,000 | — | 5,000 | G11 | UL, CSA, TÜV |
| RGEF1100-AP | — | — | 1,000 | 5,000 | G11 | UL, CSA, TÜV |
| RGEF1200 | 250 | — | — | 5,000 | G12 | UL, CSA, TÜV |
| RGEF1200-2 | — | 1,000 | — | 5,000 | G12 | UL, CSA, TÜV |
| RGEF1200-AP | — | — | 1,000 | 5,000 | G12 | UL, CSA, TÜV |
| RGEF1400 | 250 | — | — | 5,000 | G14 | UL, CSA, TÜV |
| RGEF1400-2 | — | 1,000 | — | 5,000 | G14 | UL, CSA, TÜV |
| RGEF1400-AP | — | — | 1,000 | 5,000 | G14 | UL, CSA, TÜV |
| RHEF | | | | | | |
| 16V - High Temperature | | | | | | |
| RHEF200 | 500 | — | — | 10,000 | H2 | UL, CSA, TÜV |
| RHEF200-2 | — | 2,500 | — | 12,500 | H2 | UL, CSA, TÜV |
| RHEF200-AP | — | — | 2,500 | 12,500 | H2 | UL, CSA, TÜV |
| RHEF300 | 500 | — | — | 10,000 | H3 | UL, CSA, TÜV |
| RHEF300-2 | — | 2,000 | — | 10,000 | H3 | UL, CSA, TÜV |
| RHEF300-AP | — | — | 2,000 | 10,000 | H3 | UL, CSA, TÜV |
| RHEF400 | 500 | — | — | 10,000 | H4 | UL, CSA, TÜV |
| RHEF400-2 | — | 1,500 | — | 7,500 | H4 | UL, CSA, TÜV |
| RHEF400-AP | — | — | 1,500 | 7,500 | H4 | UL, CSA, TÜV |
| RHEF450 | 500 | — | — | 10,000 | H4.5 | UL, CSA, TÜV |
| RHEF450-2 | — | 1,500 | — | 7,500 | H4.5 | UL, CSA, TÜV |
| RHEF450-AP | — | — | 1,500 | 7,500 | H4.5 | UL, CSA, TÜV |
| RHEF550 | 500 | — | — | 10,000 | H5.5 | UL, CSA, TÜV |
| RHEF550-2 | — | 2,000 | — | 10,000 | H5.5 | UL, CSA, TÜV |
| RHEF550-AP | — | — | 2,000 | 10,000 | H5.5 | UL, CSA, TÜV |
| RHEF600 | 500 | — | — | 10,000 | H6 | UL, CSA, TÜV |
| RHEF600-2 | — | 2,000 | — | 10,000 | H6 | UL, CSA, TÜV |
| RHEF600-AP | — | — | 2,000 | 10,000 | H6 | UL, CSA, TÜV |
| RHEF650 | 500 | — | — | 10,000 | H6.5 | UL, CSA, TÜV |
| RHEF650-2 | — | 1,500 | — | 7,500 | H6.5 | UL, CSA, TÜV |
| RHEF650-AP | — | — | 1,500 | 7,500 | H6.5 | UL, CSA, TÜV |
| RHEF700 | 500 | — | — | 10,000 | H7 | UL, CSA, TÜV |

PolySwitch Resettable Devices

Radial-Leaded Devices

Table R6 — Packaging and Marking Information

(Cont'd)

| Part Number | Bag Quantity | Tape and Reel Quantity | Ammo Pack Quantity | Standard Package Quantity | Part Marking | Agency Recognition |
|-------------------------------|--------------|------------------------|--------------------|---------------------------|--------------|--------------------|
| RHEF | | | | | | |
| 16V - High Temperature | | | | | | |
| RHEF700-2 | — | 1,500 | — | 7,500 | H7 | UL, CSA, TÜV |
| RHEF700-AP | — | — | 1,500 | 7,500 | H7 | UL, CSA, TÜV |
| RHEF750 | 500 | — | — | 10,000 | H7.5 | UL, CSA, TÜV |
| RHEF750-2 | — | 1,000 | — | 5,000 | H7.5 | UL, CSA, TÜV |
| RHEF750-AP | — | — | 1,000 | 5,000 | H7.5 | UL, CSA, TÜV |
| RHEF800 | 500 | — | — | 10,000 | H8 | UL, CSA, TÜV |
| RHEF800-2 | — | 1,000 | — | 5,000 | H8 | UL, CSA, TÜV |
| RHEF800-AP | — | — | 1,000 | 5,000 | H8 | UL, CSA, TÜV |
| RHEF900 | 250 | — | — | 5,000 | H9 | UL, CSA, TÜV |
| RHEF900-2 | — | 1,000 | — | 5,000 | H9 | UL, CSA, TÜV |
| RHEF900-AP | — | — | 1,000 | 5,000 | H9 | UL, CSA, TÜV |
| RHEF1000 | 250 | — | — | 5,000 | H10 | UL, CSA, TÜV |
| RHEF1000-2 | — | 1,000 | — | 5,000 | H10 | UL, CSA, TÜV |
| RHEF1000-AP | — | — | 1,000 | 5,000 | H10 | UL, CSA, TÜV |
| RHEF1100 | 250 | — | — | 5,000 | H11 | UL, CSA, TÜV |
| RHEF1100-2 | — | 1,000 | — | 5,000 | H11 | UL, CSA, TÜV |
| RHEF1100-AP | — | — | 1,000 | 5,000 | H11 | UL, CSA, TÜV |
| RHEF1300 | 250 | — | — | 5,000 | H13 | UL, CSA, TÜV |
| RHEF1300-2 | — | 1,000 | — | 5,000 | H13 | UL, CSA, TÜV |
| RHEF1300-AP | — | — | 1,000 | 5,000 | H13 | UL, CSA, TÜV |
| RHEF1400 | 250 | — | — | 5,000 | H14 | UL, CSA, TÜV |
| RHEF1400-2 | — | 1,000 | — | 5,000 | H14 | UL, CSA, TÜV |
| RHEF1400-AP | — | — | 1,000 | 5,000 | H14 | UL, CSA, TÜV |
| RHEF1500 | 250 | — | — | 5,000 | H15 | UL, CSA, TÜV |
| RHEF1500-2 | — | 1,000 | — | 5,000 | H15 | UL, CSA, TÜV |
| RHEF1500-AP | — | — | 1,000 | 5,000 | H15 | UL, CSA, TÜV |
| RUSBF | | | | | | |
| 6V | | | | | | |
| RUSBF075 | 500 | — | — | 10,000 | R75 | UL, CSA, TÜV |
| RUSBF075-2 | — | 3,000 | — | 15,000 | R75 | UL, CSA, TÜV |
| RUSBF075-AP | — | — | 2,000 | 10,000 | R75 | UL, CSA, TÜV |
| RUSBF120 | 500 | — | — | 10,000 | R120 | UL, CSA, TÜV |
| RUSBF120-2 | — | 3,000 | — | 15,000 | R120 | UL, CSA, TÜV |
| RUSBF120-AP | — | — | 2,000 | 10,000 | R120 | UL, CSA, TÜV |
| RUSBF155 | 500 | — | — | 10,000 | R155 | UL, CSA, TÜV |
| RUSBF155-2 | — | 3,000 | — | 15,000 | R155 | UL, CSA, TÜV |
| RUSBF155-AP | — | — | 2,000 | 10,000 | R155 | UL, CSA, TÜV |

Agency Recognitions

| | |
|-----|--|
| UL | File # E74889 |
| CSA | File # CA78165 |
| TÜV | Certificate number available on request (per IEC 60730-1). |

PolySwitch Resettable Devices

Radial-Leaded Devices

Table R7 — Tape and Reel Specifications

RXEF and RKEF devices are available in tape and reel packaging per EIA468-B/IEC60286-2 standards.

| Description | EIA Mark | Dimension (mm) | Tolerance |
|---|----------------|----------------|------------|
| Carrier Tape Width | W | 18 | -0.5/+1.0 |
| Hold-Down Tape Width | W ₄ | 11 | Minimum |
| Top Distance between Tape Edges | W ₆ | 3 | Maximum |
| Sprocket Hole Position | W ₅ | 9 | -0.5/+0.75 |
| Sprocket Hole Diameter | D ₀ | 4 | ± 0.2 |
| Abscissa to Plane (Straight Lead) (RXEF110 To RXEF300, RKEF135 To RKEF500) | H | 18.5 | ± 2.5 |
| Abscissa to Plane (Kinked Lead) (RXEF010 To RXEF090, RKEF050 To RKEF110) | H ₀ | 16.0 | ± 0.5 |
| Abscissa to Top (RXEF010 To RXEF090, RKEF050 To RKEF185) | H ₁ | 32.2 | Maximum |
| Abscissa to Top* (RXEF110 To RXEF300, RKEF250 To RKEF500) | H ₁ | 47.5 | Maximum |
| Overall Width with Lead Protrusion (RXEF010 To RXEF090, RKEF050 To RKEF185) | C ₁ | 43.2 | Maximum |
| Overall Width with Lead Protrusion* (RXEF110 To RXEF300, RKEF250 To RKEF500) | C ₁ | 58 | Maximum |
| Overall Width without Lead Protrusion (RXEF010 To RXEF090, RKEF050 To RKEF185) | C ₂ | 42.5 | Maximum |
| Overall Width without Lead Protrusion* (RXEF110 To RXEF300, RKEF250 To RKEF500) | C ₂ | 57 | Maximum |
| Lead Protrusion | L ₁ | 1.0 | Maximum |
| Protrusion of Cut-Out | L | 11.0 | Maximum |
| Protrusion beyond Hold-down Tape | I ₂ | Not Specified | — |
| Sprocket Hole Pitch | P ₀ | 12.7 | ± 0.3 |
| Device Pitch (RXEF010 To RXEF090, RKEF050 To RKEF185) | — | 12.7 | ± 0.3 |
| Device Pitch (RXEF110 To RXEF300, RKEF250 To RKEF500) | — | 25.4 | ± 0.61 |
| Pitch Tolerance | — | 20 Consecutive | ± 1 |
| Tape Thickness | T | 0.9 | Maximum |
| Overall Tape and Lead Thickness (RXEF010 To RXEF090, RKEF050 To RKEF185) | T ₁ | 1.5 | Maximum |
| Overall Tape and Lead Thickness (RXEF110 To RXEF300, RKEF250 To RKEF500) | T ₁ | 2.3 | Maximum |
| Splice Sprocket Hole Alignment | — | 0 | ± 0.3 |
| Body Lateral Deviation | Dh | 0 | ± 1.0 |
| Body Tape Plane Deviation | Dp | 0 | ± 1.3 |
| Ordinate to Adjacent Component Lead (RXEF010 To RXEF185, RKEF050 To RKEF300) | P ₁ | 3.81 | ± 0.7 |
| Ordinate to Adjacent Component Lead (RXEF250 To RXEF300, RKEF375 To RKEF500) | P ₁ | 7.62 | ± 0.7 |
| Lead Spacing* (RXEF010 To RXEF185, RKEF050 To RKEF300) | F | 5.05 | ± 0.75 |
| Lead Spacing* (RXEF250 To RXEF300, RKEF375 To RKEF500) | F | 10.15 | ± 0.75 |
| Reel Width (RXEF010 To RXEF090, RKEF050 To RKEF185) | W ₂ | 56.0 | Maximum |
| Reel Width* (RXEF110 To RXEF300, RKEF250 To RKEF500) | W ₂ | 63.5 | Maximum |
| Reel Diameter | A | 370.0 | Maximum |
| Space between Flanges* (RXEF010 To RXEF090, RKEF050 To RKEF185) | W ₁ | 48.00 | Maximum |
| Space between Flanges* (RXEF110 To RXEF300, RKEF250 To RKEF500) | W ₁ | 55.00 | Maximum |
| Arbor Hold Diameter | C | 26.0 | ± 12.0 |
| Core Diameter* | N | 91.0 | Maximum |
| Box | — | 64/372/362 | Maximum |
| Consecutive Missing Places | — | None | — |
| Empty Places per Reel | — | 0.1% | Maximum |

*Differs from EIA specification.

PolySwitch Resettable Devices

Radial-Leaded Devices

Table R7 — Tape and Reel Specifications

(Cont'd)

RUEF and RUSBF devices are available in tape and reel packaging per EIA468-B/IEC60286-2 standards.

| Description | EIA Mark | Dimension (mm) | Tolerance |
|--|----------------|----------------|------------|
| Carrier Tape Width | W | 18 | -0.5/+1.0 |
| Hold-down Tape Width | W ₄ | 11 | Minimum |
| Top Distance between Tape Edges | W ₆ | 3 | Maximum |
| Sprocket Hole Position | W ₅ | 9 | -0.5/+0.75 |
| Sprocket Hole Diameter | D ₀ | 4 | ± 0.2 |
| Abscissa to Plane (Straight Lead)* (RUEF300 to RUEF900) | H | 18.5 | ± 2.5 |
| Abscissa to Plane (Kinked Lead) (RUSBF075 to RUSBF250, RUEF090 to RUEF250) | H ₀ | 16.0 | ± 0.5 |
| Abscissa to Top (RUSBF075 to RUSBF250, RUEF090 to RUEF300) | H ₁ | 38.5 | Maximum |
| Abscissa to Top* (RUEF400 to RUEF900) | H ₁ | 45.0 | Maximum |
| Overall Width with Lead Protrusion (RUSBF075 to RUSBF250, RUEF090 to RUEF300) | C ₁ | 43.2 | Maximum |
| Overall Width with Lead Protrusion (RUEF400 To RUEF900) | C ₁ | 56 | Maximum |
| Overall Width without Lead Protrusion (RUSBF075 to RUSBF250, RUEF090 to RUEF300) | C ₂ | 42.5 | Maximum |
| Overall Width without Lead Protrusion (RUEF400 to RUEF900) | C ₂ | 56 | Maximum |
| Lead Protrusion | L ₁ | 1.0 | Maximum |
| Protrusion of Cut-out | L | 11 | Maximum |
| Protrusion beyond Hold-down Tape | I ₂ | Not Specified | — |
| Sprocket Hole Pitch | P ₀ | 12.7 | ± 0.3 |
| Device Pitch (RUSBF075 to RUSBF250, RUEF090 to RUEF300) | — | 12.7 | ± 0.3 |
| Device Pitch (RUEF400 to RUEF900) | — | 25.4 | ± 0.6 |
| Pitch Tolerance | — | 20 Consecutive | ± 1 |
| Tape Thickness | T | 0.9 | Maximum |
| Overall Tape and Lead Thickness (RUSBF075 to RUSBF250, RUEF090 to RUEF50) | T ₁ | 1.5 | Maximum |
| Overall Tape and Lead Thickness* (RUEF300 to RUEF900) | T ₁ | 2.3 | Maximum |
| Splice Sprocket Hole Alignment | — | 0 | ± 0.3 |
| Body Lateral Deviation | Dh | 0 | ± 1.0 |
| Body Tape Plane Deviation | Dp | 0 | ± 1.3 |
| Ordinate to Adjacent Component Lead (RUSBF075 to RUSBF250, RUEF090 to RUEF300) | P ₁ | 3.81 | ± 0.7 |
| Ordinate to Adjacent Component Lead (RUEF400 to RUEF900) | P ₁ | 7.62 | ± 0.7 |
| Lead Spacing* (RUSBF075 to RUSBF250, RUEF090 to RUEF400) | F | 5.05 | ± 0.75 |
| Lead Spacing* (RUEF500 to RUEF900) | F | 10.15 | ± 0.75 |
| Reel Width (RUEF090 to RUEF400, RUSBF075 to RUSBF250) | W ₂ | 56.0 | Maximum |
| Reel Width (RUEF500* to RUEF900) | W ₂ | 63.5 | Maximum |
| Reel Diameter | A | 370.0 | Maximum |
| Space between Flanges* (RUEF090 to RUEF400, RUSBF075 to RUSBF250) | W ₁ | 48.0 | Maximum |
| Space between Flanges* (RUEF500 to RUEF900) | W ₁ | 55.0 | Maximum |
| Arbor Hold Diameter | C | 26.0 | ± 12.0 |
| Core Diameter* | N | 91.0 | Maximum |
| Box | — | 64/372/362 | Maximum |
| Consecutive Missing Places | — | None | — |
| Empty Places per Reel | — | 0.1% | Maximum |

*Differs from EIA specification.

PolySwitch Resettable Devices

Radial-Leaded Devices

Table R7 — Tape and Reel Specifications

(Cont'd)

RGEF and RHEF devices are available in tape and reel packaging per EIA468–B/IEC60286–2 standards.

| Description | EIA Mark | Dimension (mm) | Tolerance |
|--|----------------|----------------|------------|
| Carrier Tape Width | W | 18 | -0.5/+1.0 |
| Hold-Down Tape Width | W ₄ | 11 | Minimum |
| Top Distance between Tape Edges | W ₆ | 3 | Maximum |
| Sprocket Hole Position | W ₅ | 9 | -0.5/+0.75 |
| Sprocket Hole Diameter | D ₀ | 4 | ± 0.2 |
| Abscissa to Plane (Straight Lead) (RGEF250 to RGEF1400) | H | 18.5 | ± 2.5 |
| Abscissa to Plane (Kinked Lead) (RHEF050 to RGEF1500) | H ₀ | 16.0 | ± 0.5 |
| Abscissa to Top (RGEF250 to RGEF500, RGEF050 to RGEF450) | H ₁ | 38.5 | Maximum |
| Abscissa to Top* (RGEF600 to RGEF1400, RHEF550 to RHEF1500) | H ₁ | 45.0 | Maximum |
| Overall Width with Lead Protrusion (RGEF250 to RGEF600, RHEF050 to RHEF450) | C ₁ | 43.2 | Maximum |
| Overall Width with Lead Protrusion (RGEF700 to RGEF1400, RHEF550 to RHEF1500) | C ₁ | 55 | Maximum |
| Overall Width without Lead Protrusion (RGEF250 to RGEF600, RHEF050 to RHEF450) | C ₂ | 42.5 | Maximum |
| Overall Width without Lead Protrusion (RGEF700 to RGEF1400, RHEF550 to RHEF1500) | C ₂ | 54 | Maximum |
| Lead Protrusion | L ₁ | 1.0 | Maximum |
| Protrusion of Cut-out | L | 11 | Maximum |
| Protrusion beyond Hold-down Tape | I ₂ | Not Specified | — |
| Sprocket Hole Pitch | P ₀ | 12.7 | ± 0.3 |
| Device Pitch (RGEF250 to RGEF700, RHEF050 to RHEF600) | — | 25.4 | ± 0.61 |
| Device Pitch (RGEF800 to RGEF1400, RHEF650 to RHEF1500) | — | 25.4 | ± 0.6 |
| Pitch Tolerance | — | 20 Consecutive | ± 1 |
| Tape Thickness | T | 0.9 | Maximum |
| Overall Tape and Lead Thickness* (RGEF250 to RGEF1100, RHEF050 to RHEF1100) | T ₁ | 2.0 | Maximum |
| Overall Tape and Lead Thickness* (RGEF1200 to RGEF1400, RHEF1300 to RHEF1500) | T ₁ | 2.3 | Maximum |
| Splice Sprocket Hole Alignment | — | 0 | ± 0.3 |
| Body Lateral Deviation | Dh | 0 | ± 1.0 |
| Body Tape Plane Deviation | Dp | 0 | ± 1.3 |
| Ordinate to Adjacent Component Lead (RGEF250 to RGEF1100, RHEF050 to RHEF900) | P ₁ | 3.81 | ± 0.7 |
| Ordinate to Adjacent Component Lead (RGEF1200 to RGEF1400, RHEF1000 to RHEF1500) | P ₁ | 7.62 | ± 0.7 |
| Lead Spacing* (RGEF250 to RGEF1100, RHEF050 to RHEF900) | F | 5.05 | ± 0.75 |
| Lead Spacing* (RGEF1200 to RGEF1400, RHEF1000 to RHEF1500) | F | 10.15 | ± 0.75 |
| Reel Width (RGEF250 to RGEF600, RHEF050 to RHEF450) | W ₂ | 56.0 | Maximum |
| Reel Width* (RGEF700 to RGEF1400 & RHEF550 to RHEF1500) | W ₂ | 63.5 | Maximum |
| Reel Diameter | A | 370.0 | Maximum |
| Space between Flanges* (RGEF250 to RGEF600, RHEF050 to RHEF450) | W ₁ | 48.0 | Maximum |
| Space between Flanges* (RGEF700 to RGEF400, RHEF550 to RHEF1500) | W ₁ | 55.0 | Maximum |
| Arbor Hold Diameter | C | 26.0 | ± 12.0 |
| Core Diameter* | N | 91.0 | Maximum |
| Box | — | 64/372/362 | Maximum |
| Consecutive Missing Places | — | None | — |
| Empty Places per Reel | — | 0.1% | Maximum |

*Differs from EIA specification.

PolySwitch Resettable Devices

Radial-Leaded Devices

Figure R21 — EIA Referenced Taped Component Dimensions

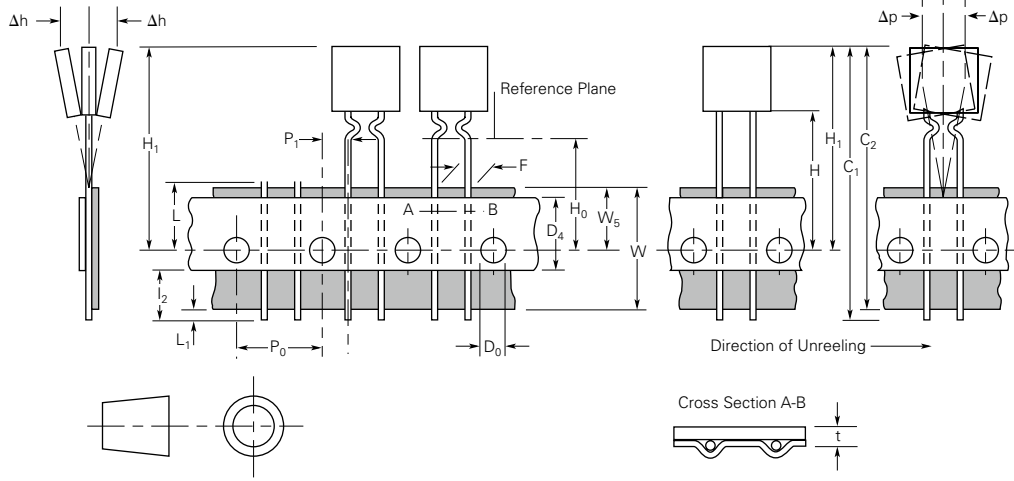
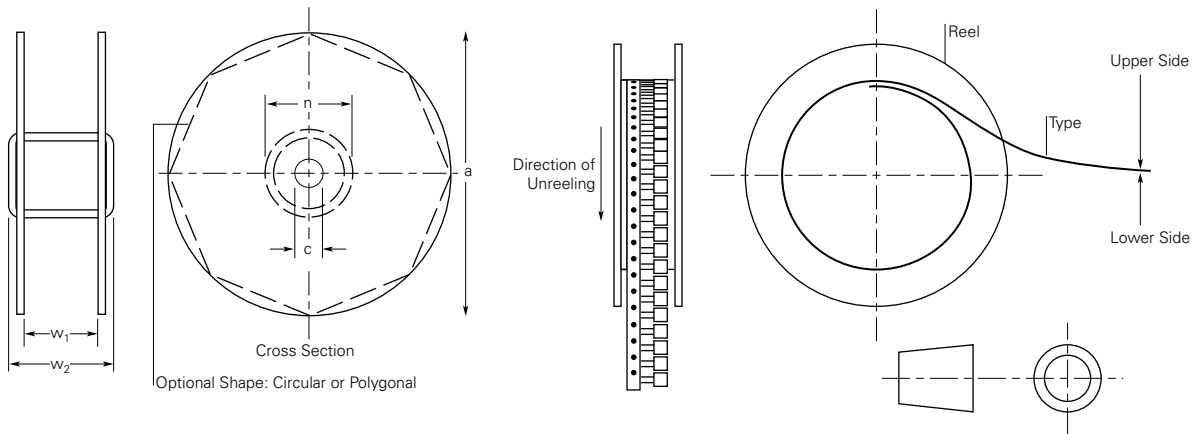


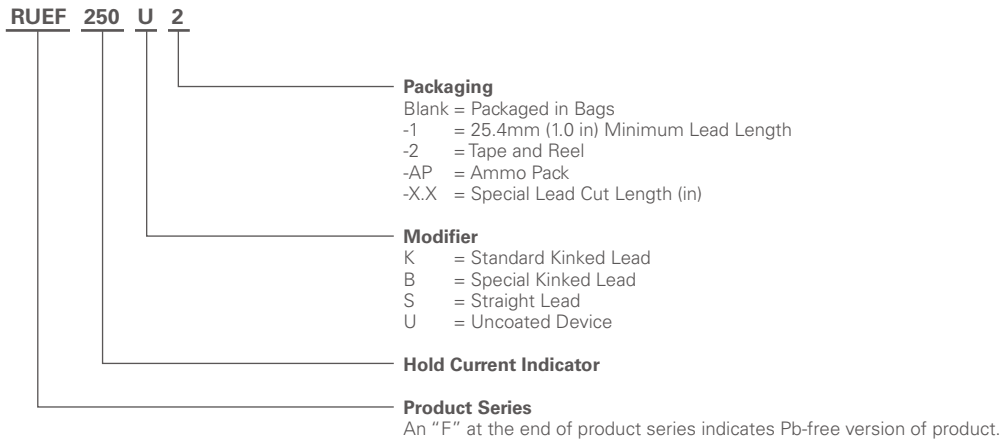
Figure R22 — EIA Referenced Reel Dimensions



PolySwitch Resettable Devices

Radial-Leaded Devices

Part Numbering System



Note: Kinked parts are recommended to control the height of the part on the PCB in non-auto PCB applications.



Warning :

- Users should independently evaluate the suitability of and test each product selected for their own application.
- Operation beyond the maximum ratings or improper use may result in device damage and possible electrical arcing and flame.
- These devices are intended for protection against damage caused by occasional overcurrent or overtemperature fault conditions and should not be used when repeated fault conditions or prolonged trip events are anticipated.
- Contamination of the PPTC material with certain silicone-based oils or some aggressive solvents can adversely impact the performance of the devices.
- Device performance can be impacted negatively if devices are handled in a manner inconsistent with recommended electronic, thermal, and mechanical procedures for electronic components.
- PPTC devices are not recommended for installation in applications where the device is constrained such that its PTC properties are inhibited, for example in rigid potting materials or in rigid housings, which lack adequate clearance to accommodate device expansion.
- Operation in circuits with a large inductance can generate a circuit voltage (Ldi/dt) above the rated voltage of the device.

Notice:

Information furnished is believed to be accurate and reliable. However, users should independently evaluate the suitability of and test each product selected for their own applications. Littelfuse products are not designed for, and shall not be used for, any purpose (including, without limitation, military, aerospace, medical, life-saving, life-sustaining or nuclear facility applications, devices intended for surgical implant into the body, or any other application in which the failure or lack of desired operation of the product may result in personal injury, death, or property damage) other than those expressly set forth in applicable Littelfuse product documentation. Warranties granted by Littelfuse shall be deemed void for products used for any purpose not expressly set forth in applicable Littelfuse documentation. Littelfuse shall not be liable for any claims or damages arising out of products used in applications not expressly intended by Littelfuse as set forth in applicable Littelfuse documentation. The sale and use of Littelfuse products is subject to Littelfuse Terms and Conditions of Sale, unless otherwise agreed by Littelfuse.

Mouser Electronics

Authorized Distributor

Click to View Pricing, Inventory, Delivery & Lifecycle Information:

Littelfuse:

[RGEF1100](#) [RGEF1200](#) [RGEF1400](#) [RGEF300](#) [RGEF300-2](#) [RGEF400](#) [RGEF500](#) [RGEF500-2](#) [RGEF600](#)
[RGEF600-2](#) [RGEF700](#) [RGEF800](#) [RGEF900](#) [RHEF050](#) [RHEF070](#) [RHEF1000](#) [RHEF1300](#) [RHEF200](#) [RHEF750](#)
[RHEF750-2](#) [RHEF900](#) [RUEF090](#) [RUEF090-2](#) [RUEF090S](#) [RUEF110](#) [RUEF135](#) [RUEF160](#) [RUEF185](#) [RUEF185-2](#)
[RUEF250](#) [RUEF250-2](#) [RUEF250S](#) [RUEF250U](#) [RUEF250U-AP](#) [RUEF300](#) [RUEF300-2](#) [RUEF300K-2](#) [RUEF400](#)
[RUEF400-2](#) [RUEF500](#) [RUEF500-2](#) [RUEF500K-2](#) [RUEF600](#) [RUEF600K](#) [RUEF700](#) [RUEF700K](#) [RUEF800](#)
[RUEF900](#) [RUSBF075](#) [RUSBF090](#) [RUSBF110](#) [RUSBF120-2](#) [RUSBF135](#) [RUSBF155](#) [RUSBF160](#) [RUSBF185](#)
[RXEF005](#) [RXEF010](#) [RXEF010-2](#) [RXEF010S](#) [RXEF017](#) [RXEF017-2](#) [RXEF020](#) [RXEF020-2](#) [RXEF020S](#)
[RXEF020S-2](#) [RXEF025](#) [RXEF025-2](#) [RXEF030](#) [RXEF030-2](#) [RXEF030S](#) [RXEF040](#) [RXEF040-2](#) [RXEF040S](#)
[RXEF050-2](#) [RXEF050S](#) [RXEF065](#) [RXEF065S](#) [RXEF075](#) [RXEF075-2](#) [RXEF075S](#) [RXEF090-2](#) [RXEF110](#)
[RXEF110-2](#) [RXEF110K](#) [RXEF110K-2](#) [RXEF160](#) [RXEF250](#) [RXEF375](#) [RGEF300-1](#) [RGEF400-AP](#) [RGEF600-1](#)
[RGEF700-AP](#) [RUEF185-1](#) [RUEF700-1](#) [RUSBF135-AP](#) [RUSBF155-AP](#) [RXEF025-AP](#) [RXEF050-1](#) [RXEF090-1](#)