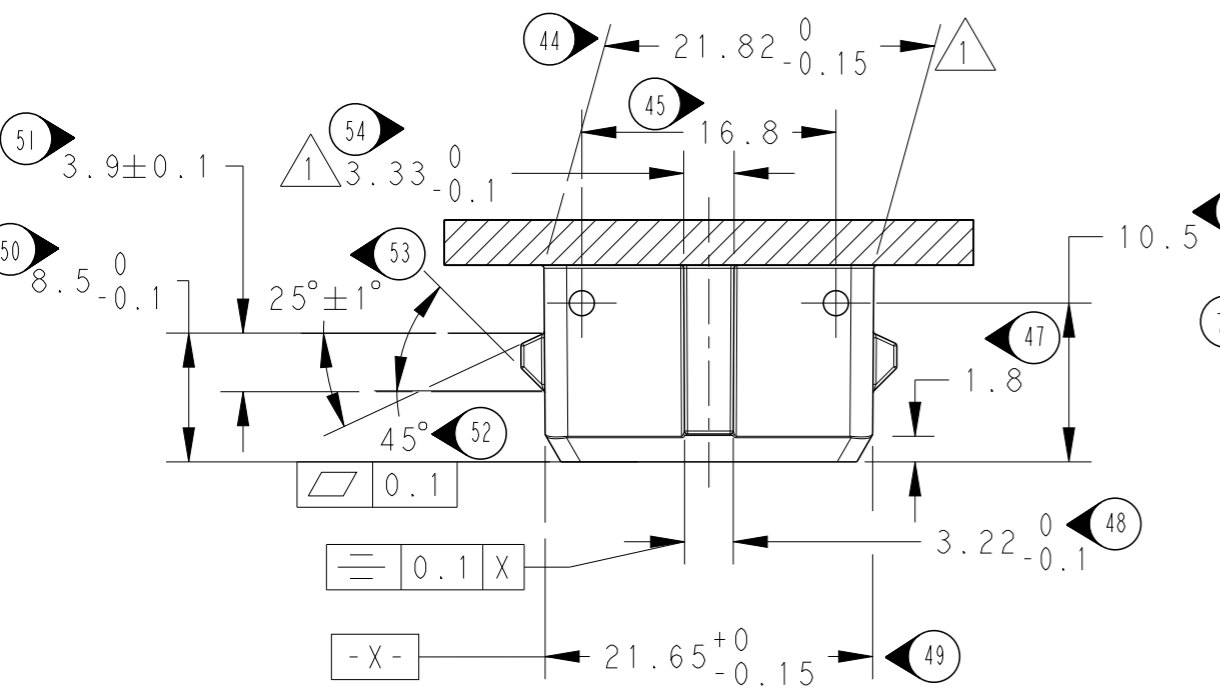
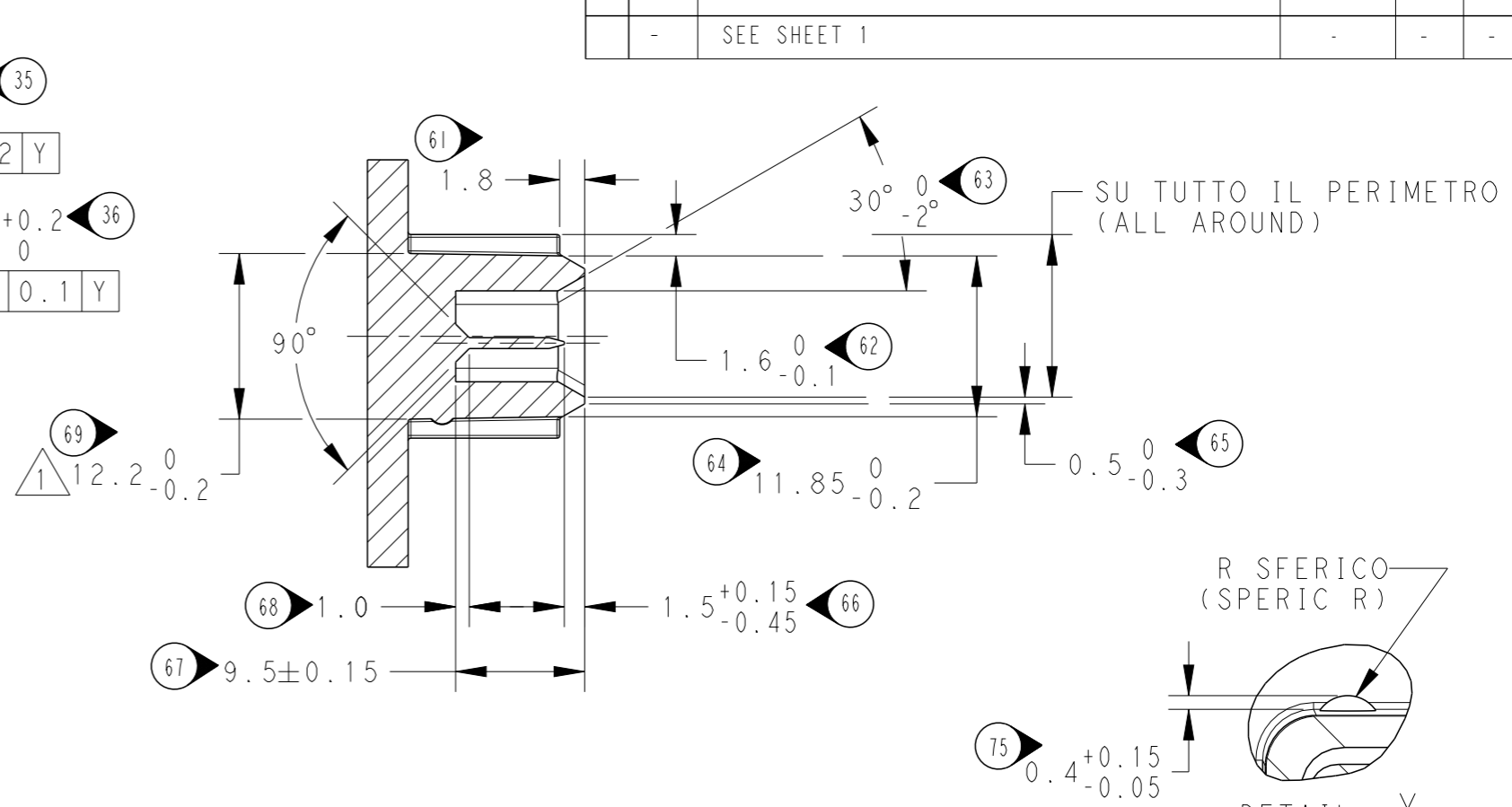
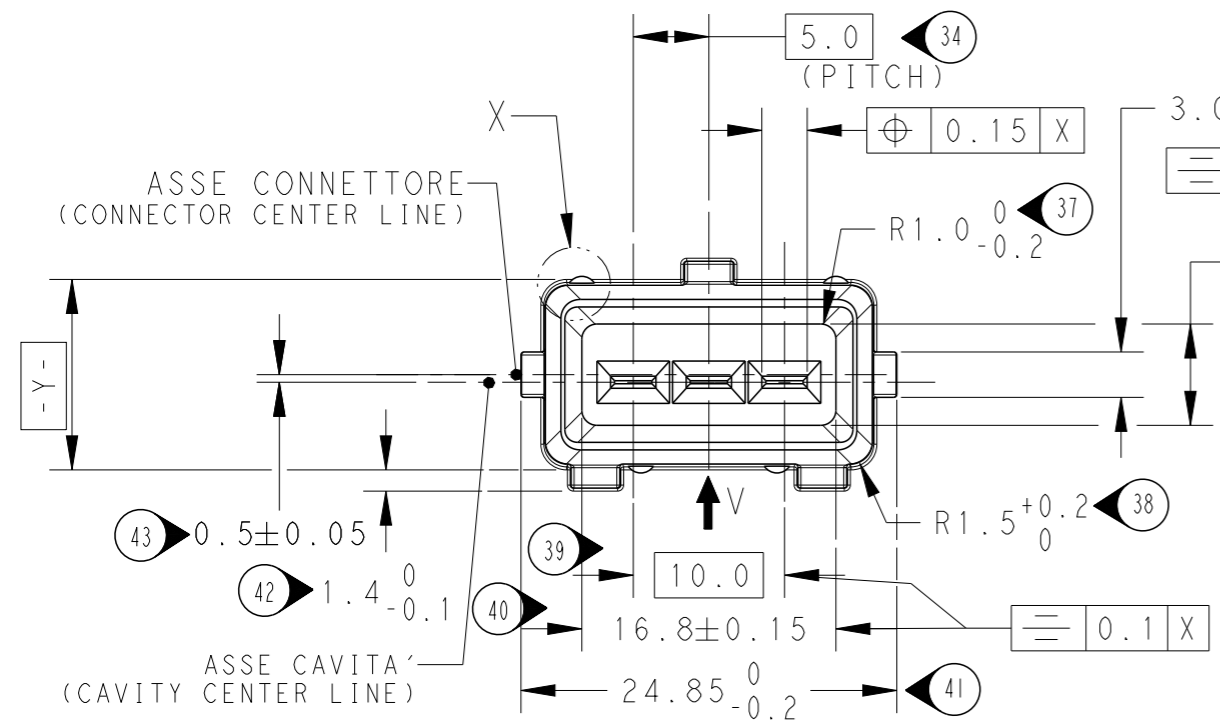
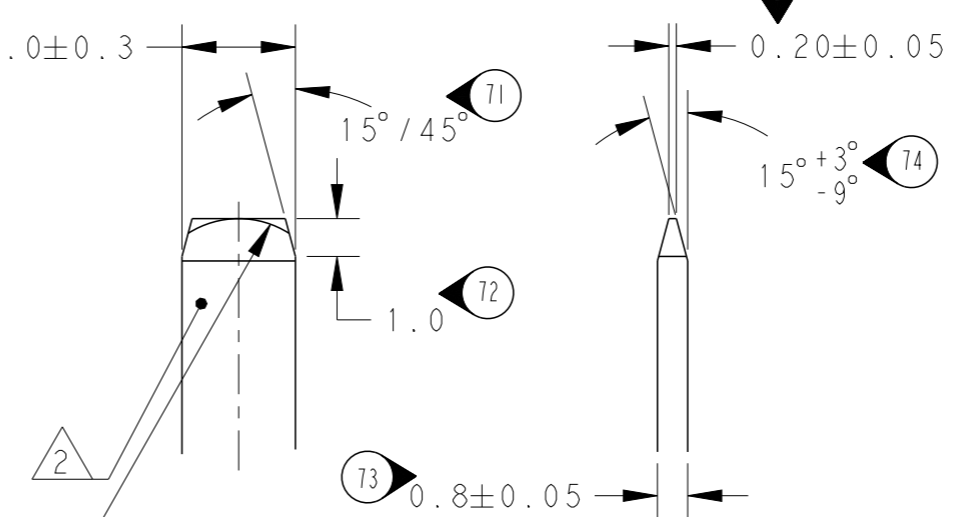


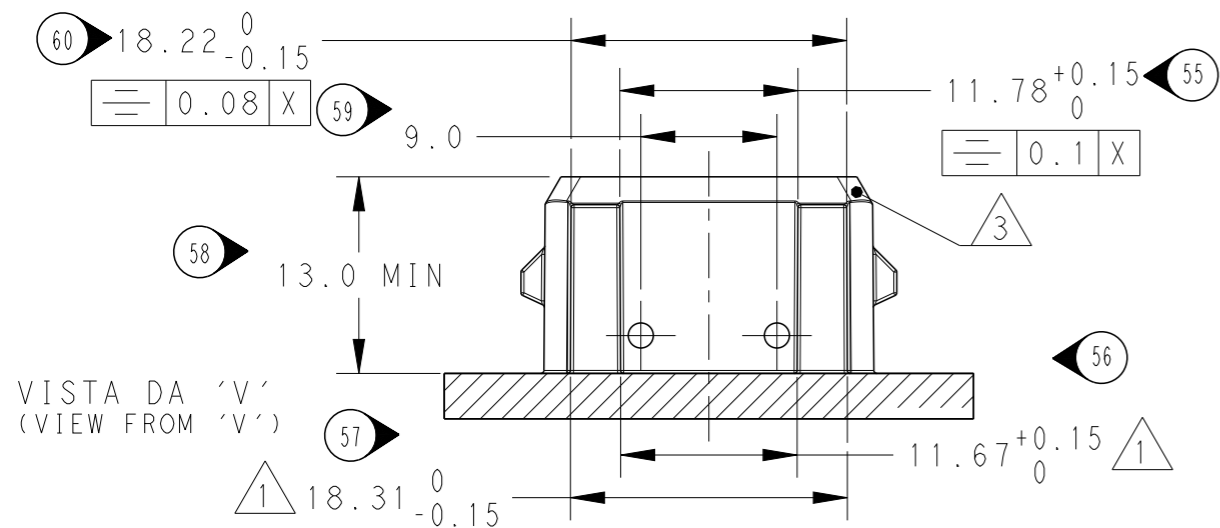
P	LTR	DESCRIPTION	DATE	DWN	APVD
-	-	SEE SHEET 1	-	-	-



DETT. LINGUETTA TAB-SCALA 5:1- (TAB DETAIL)



- 1 QUOTE APPLICABILI PER SFORMATURA PEZZO (DRAFT PERMITTED TO FACILITATE REMOVAL OF PART FROM THE MOULD)
- 2 MATERIALE LINGUETTE, LEGA DI RAME STAGNATA, ES. OTTONE STAGNATO. (TAB CONTACT MATERIAL, TIN PLATED COPPER ALLOY, E.G BRASS TIN PLATED)
- 3 MATERIALE BLOCCHETTO, TERMOPLASTICO CARICATO FIBRA VETRO. (HOUSING MATERIAL, THERMOPLASTIC, GLASS FIBER FILLED)



FORMA ALTERNATIVA PERMESSA CON RAGGIO (ALLOWED ALTERNATIVE PROFILE WITH RADIUS)

VISTA DA 'V' (VIEW FROM 'V')

THIS DRAWING IS A CONTROLLED DOCUMENT.		DWN E. CINI 9 NOV 90	STE TE Connectivity	
		CHK C. TARTARI 13 OCT 92		
DIMENSIONS: mm	TOLERANCES UNLESS OTHERWISE SPECIFIED:	APVD -	NAME 3 W.SPLASH PROOF CONN.ASS'Y WITH SECONDARY LOCK	
	0 PLC ±-	PRODUCT SPEC -	SIZE A3	
	1 PLC ±0.3	APPLICATION SPEC -	CAGE CODE -	DRAWING NO C-282191
	2 PLC ±-	WEIGHT -	RESTRICTED TO -	
	3 PLC ±-	CUSTOMER DRAWING	SCALE 5:2	SHEET 2 OF 2
	4 PLC ±-			REV P3
	ANGLES ±2°			
MATERIAL -	FINISH -			

Mouser Electronics

Authorized Distributor

Click to View Pricing, Inventory, Delivery & Lifecycle Information:

[TE Connectivity:](#)

[282191-1](#)