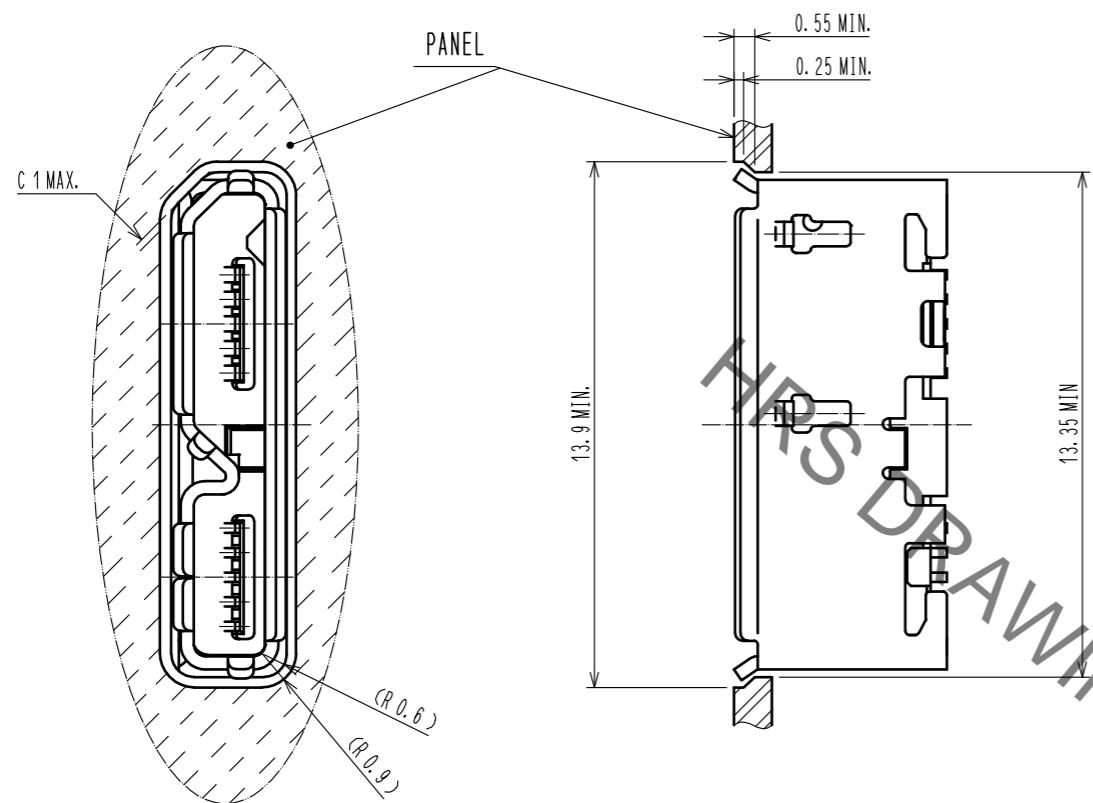
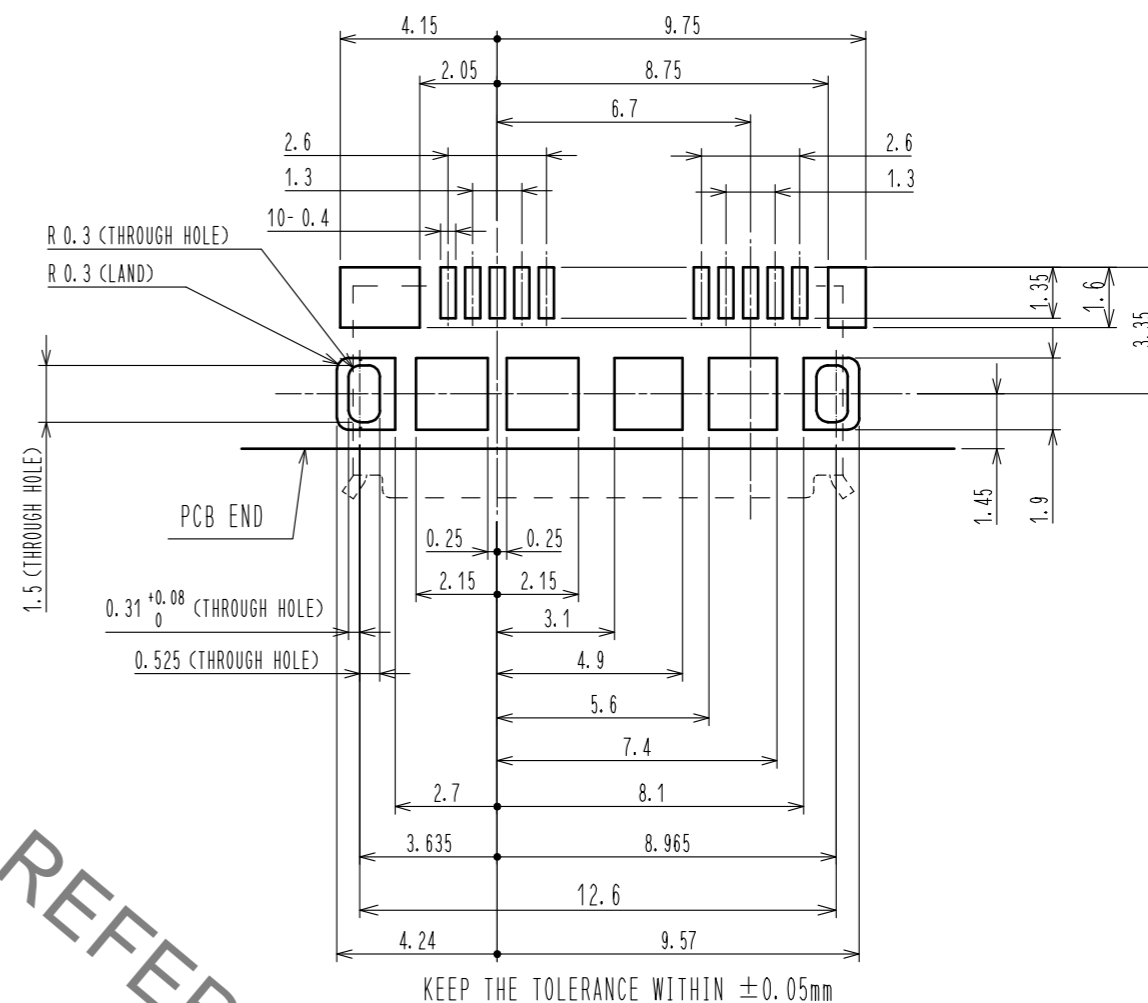


Sep.1.2021 Copyright 2021 HIROSE ELECTRIC CO., LTD. All Rights Reserved.
 In case of consideration for using Automotive equipment / device which demand high reliability, kindly contact our sales window correspondents.

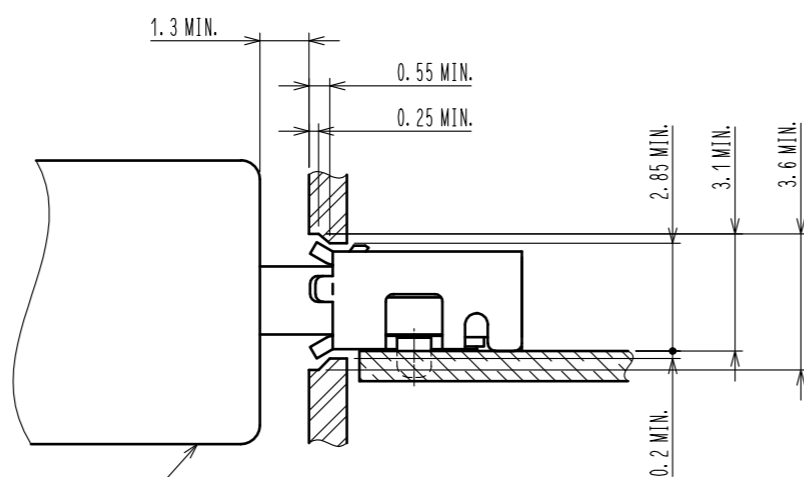
RECOMMENDED PANEL CUTOUT



PCB LAYOUT FOR REFERENCE.



MATED WITH CORRESPONDING PLUG



MicroUSB (TYPE B)
 (HIROSE'S MICRO USB 'ZX SERIES')

HRS	DRAWING NO.	EDC-127028-30-00
	PART NO.	ZX360D-B-10P(30)
	CODE NO.	CL242-0500-1-30
		2/2

Mouser Electronics

Authorized Distributor

Click to View Pricing, Inventory, Delivery & Lifecycle Information:

[Hirose Electric:](#)

[ZX360D-B-10P\(30\)](#)