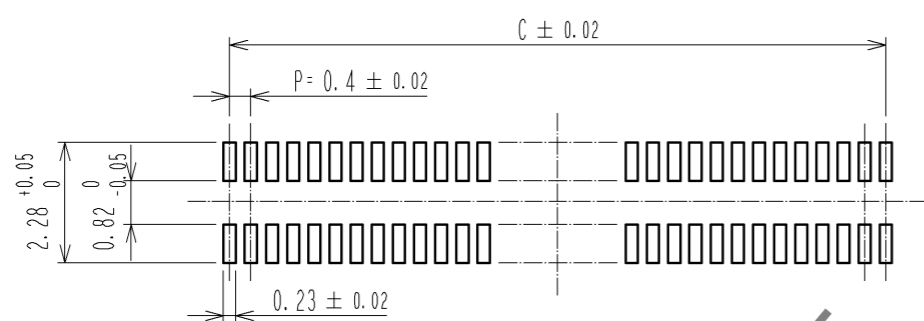
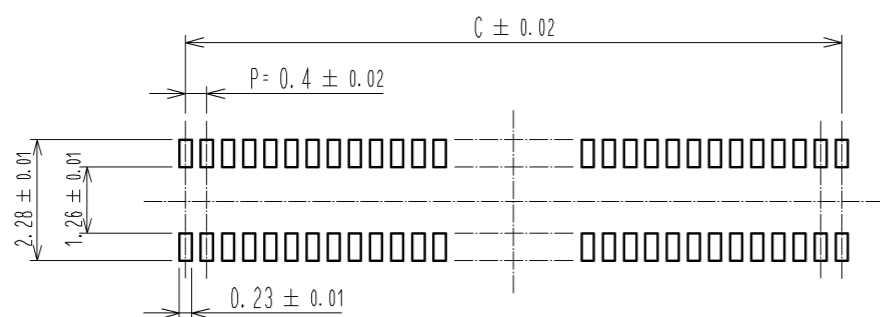


Oct.1.2019 Copyright 2019 HIROSE ELECTRIC CO., LTD. All Rights Reserved.
 In case of consideration for using Automotive equipment / device which demand high reliability, kindly contact our sales window correspondents.

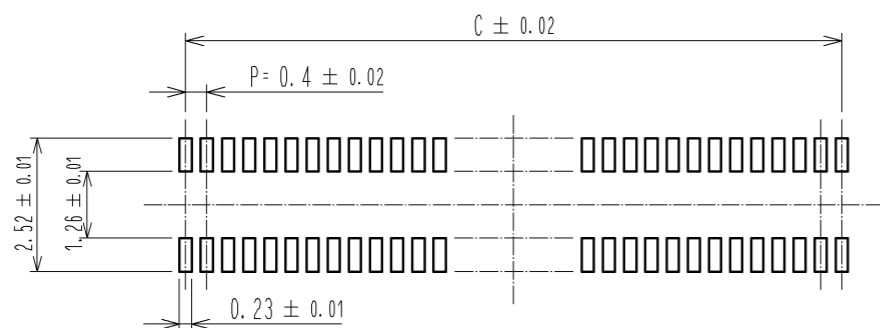
◆ RECOMMENDED PCB LAYOUT (MOUNTING SURFACE SIDE)



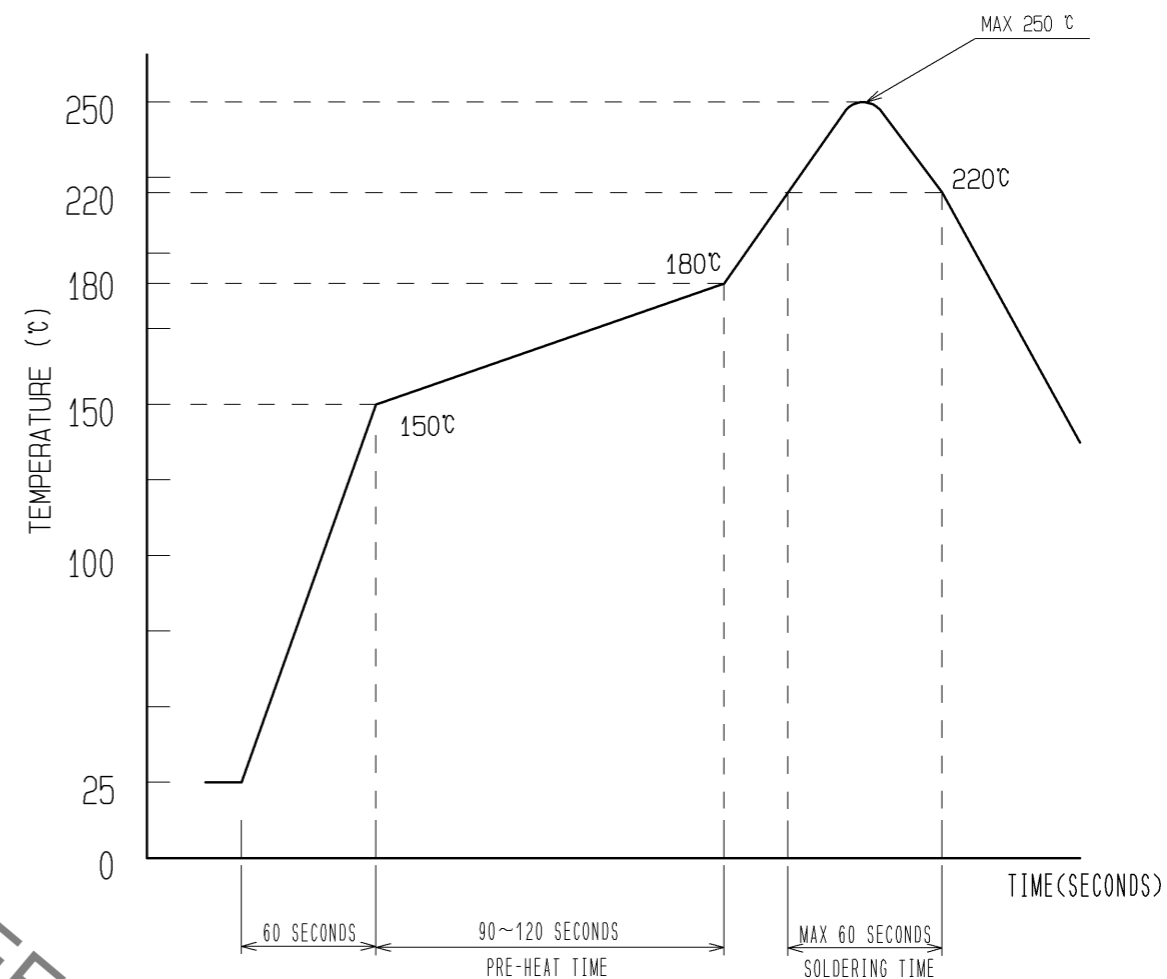
◆ RECOMMENDED METAL MASK DIMENSIONS
 METAL MASK THICKNESS : 0.12mm



◆ RECOMMENDED METAL MASK DIMENSIONS
 METAL MASK THICKNESS : 0.1mm



③ RECOMMENDED REFLOW TEMPERATURE PROFILE USING LEAD-FREE SOLDER PASTE.



1) REFLOW TIME
 REFLOW METHOD: IR REFLOW
 NUMBER OF REFLOW CYCLES: 2 CYCLES MAX.
 DURATION ABOVE 220 °C: 60 SEC. MAX.
 (PEAK TEMPERATURE: 250°C MAX.)

2) PRE-HEAT TIME
 PRE-HEAT TEMPERATURE(MIN) : 150 °C
 PRE-HEAT TEMPERATURE(MAX) : 180 °C
 PRE-HEAT TIME : 90~120 sec.

③ THIS TEMPERATURE PROFILE IS PER THE CONDITIONS SHOWN ABOVE.
 ADDITIONAL FACTORS, SUCH AS SOLDER PASTE TYPE, PCB SIZE AND
 OTHER MOUNTED COMPONENTS COULD AFFECT THE PROFILE. THEREFORE,
 A THOROUGH EVALUATION OF MOUNTING CONDITION IS REQUIRED
 PRIOR TO PRODUCTION. TEMPERATURE IS MEASURED AT CONTACT LEAD.

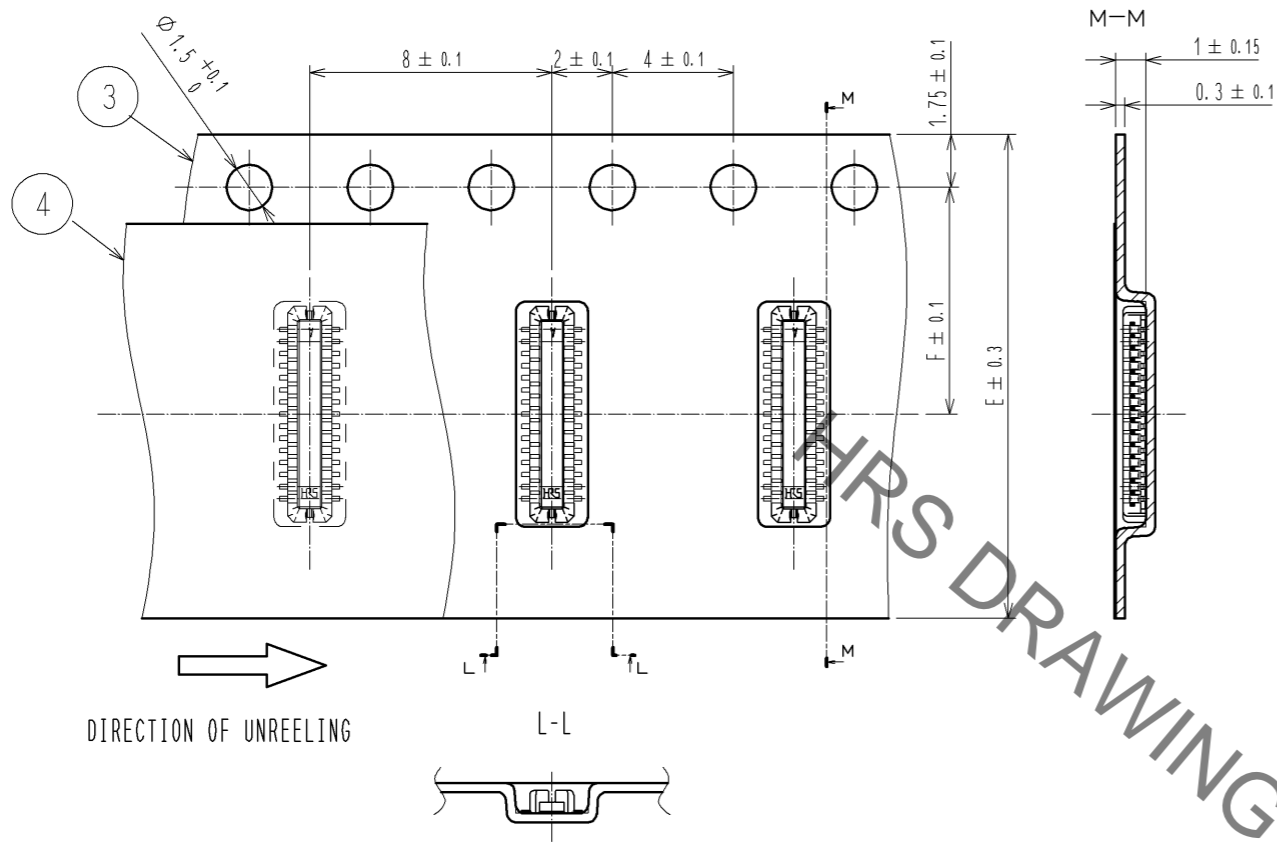
PART No.	C
DF37C-10DP-0.4V(51)	1.6
DF37C-16DP-0.4V(51)	2.8
DF37C-20DP-0.4V(51)	3.6
DF37C-24DP-0.4V(51)	4.4
DF37C-30DP-0.4V(51)	5.6
DF37C-34DP-0.4V(51)	6.4
DF37C-40DP-0.4V(51)	7.6
DF37C-44DP-0.4V(51)	8.4
DF37C-50DP-0.4V(51)	9.6
DF37C-60DP-0.4V(51)	11.6
DF37C-70DP-0.4V(51)	13.6
DF37C-74DP-0.4V(51)	14.4

HRS	DRAWING NO.	EDC3-314974-01
	PART NO.	DF37C-*DP-0.4V(51)
	CODE NO.	

Oct.1.2019 Copyright 2019 HIROSE ELECTRIC CO., LTD. All Rights Reserved.
 In case of consideration for using Automotive equipment / device which demand high reliability, kindly contact our sales window correspondents.

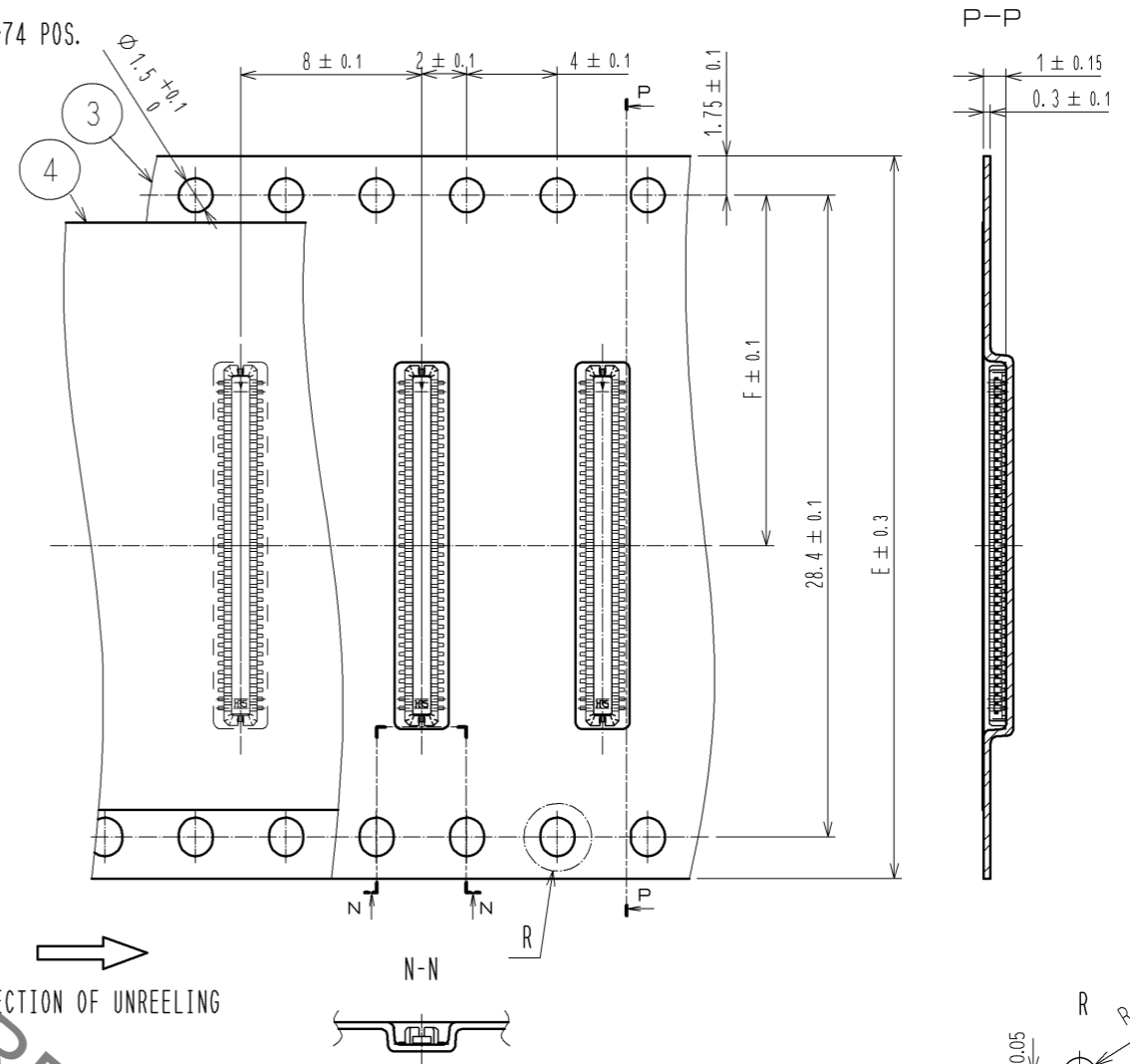
EMBOSSED CARRIER TAPE PACKAGING (FREE SIZE)

◆ LESS THAN 70 POS.

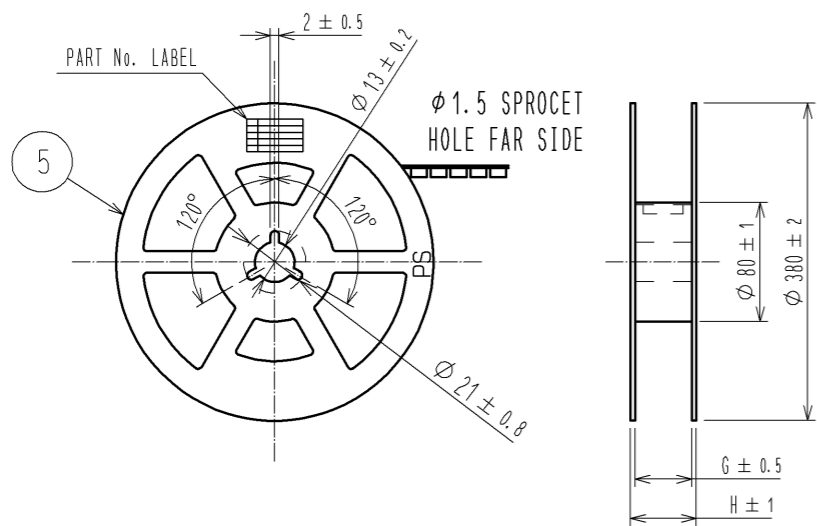


EMBOSSED CARRIER TAPE PACKAGING (FREE SIZE)

◆ 74 POS.



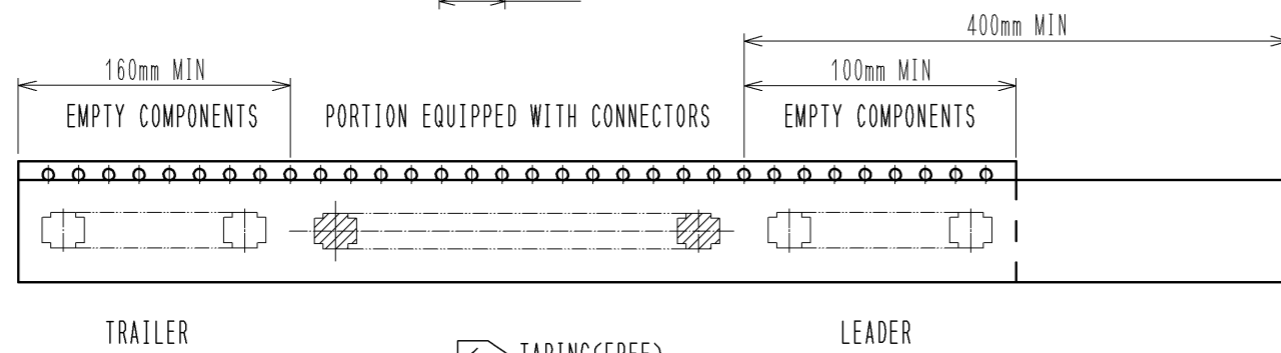
STYLE AND DIMENSION OF REEL (FREE SIZE)



7 DETAIL OF PART No. LABEL

SUPPLIER	HIROSE ELECTRIC CO., LTD.
QUANTITY	8000
PART NO.	DF37C- *DP-0.4V(51)
CODE NO.	** * * *
DATE OF MANUFACTURED	年 月 日
製造年月日	年 月 日
製品コード	** * * *
製品名	DF37C- *DP-0.4V(51)
数量	8000個
納入者	ヒロセ電機(株)

PART No.	E	F	G	H
DF37C-10DP-0.4V(51)	12	5.5	13.5	17.5
DF37C-16DP-0.4V(51)	16	7.5	17.5	21.5
DF37C-20DP-0.4V(51)	16	7.5	17.5	21.5
DF37C-24DP-0.4V(51)	16	7.5	17.5	21.5
DF37C-30DP-0.4V(51)	16	7.5	17.5	21.5
DF37C-34DP-0.4V(51)	16	7.5	17.5	21.5
DF37C-40DP-0.4V(51)	24	11.5	25.5	29.5
DF37C-44DP-0.4V(51)	24	11.5	25.5	29.5
DF37C-50DP-0.4V(51)	24	11.5	25.5	29.5
DF37C-60DP-0.4V(51)	24	11.5	25.5	29.5
DF37C-70DP-0.4V(51)	24	11.5	25.5	29.5
DF37C-74DP-0.4V(51)	32	14.2	33.5	37.5



NOTES 4. PER REEL 8000 CONNECTORS.

5. THE DIMENSIONS IN PARENTHESSES ARE FOR REFERENCE.

6 REFER TO JIS C 0806(PACKING OF COMPONENTS FOR AUTOMATIC HANDLING)

7 DETAIL OF PART No. LABEL IS WRITTEN IN JAPANESE.

HRS	DRAWING NO.	EDC3-314974-01
	PART NO.	DF37C- *DP-0.4V(51)
	CODE NO.	

Mouser Electronics

Authorized Distributor

Click to View Pricing, Inventory, Delivery & Lifecycle Information:

[Hirose Electric:](#)

[DF37C-16DP-0.4V\(51\)](#) [DF37C-20DP-0.4V\(51\)](#) [DF37C-24DP-0.4V\(51\)](#) [DF37C-30DP-0.4V\(51\)](#) [DF37C-60DP-0.4V\(51\)](#) [DF37C-34DP-0.4V\(51\)](#) [DF37C-44DP-0.4V\(51\)](#)