

## RATING AND CHARACTERISTIC CURVES (CEFB201-G thru CEFB205-G)

Fig.1 Reverse Characteristics

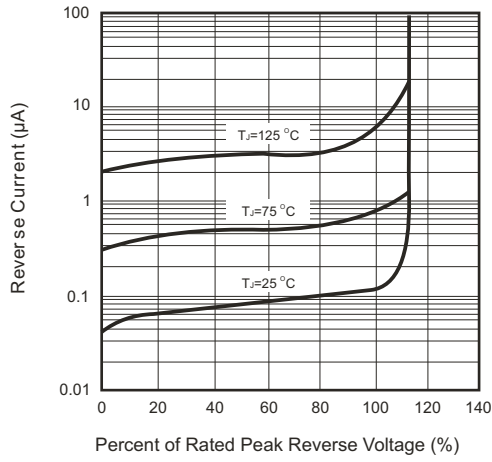


Fig.2 Forward Characteristics

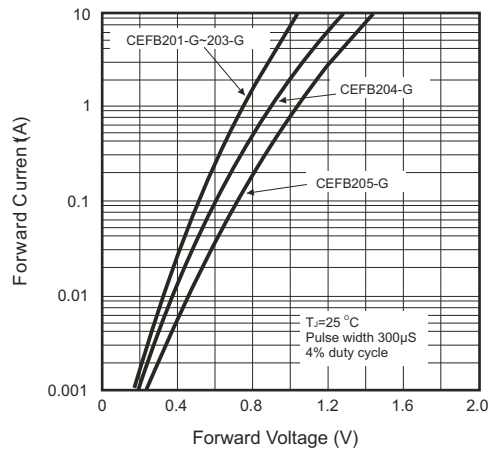


Fig.3 Junction Capacitance

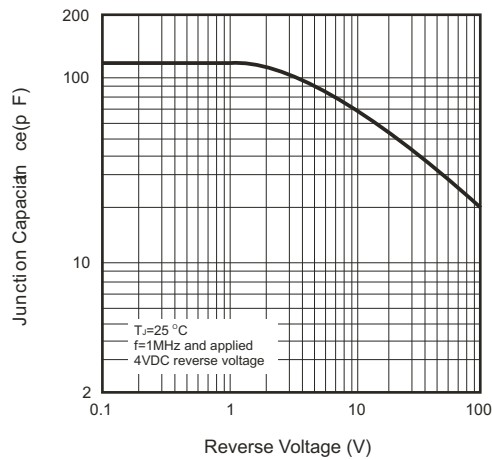


Fig.4 Non-repetitive Forward Surge Current

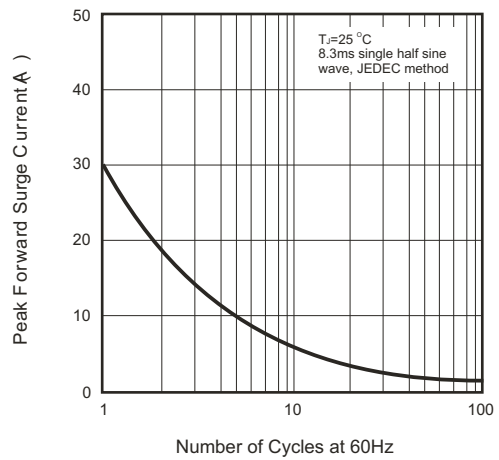


Fig.5 Test Circuit Diagram and Reverse Recovery Time Characteristics

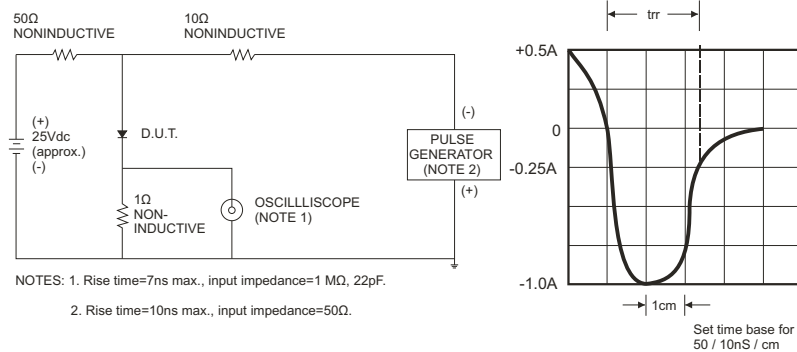
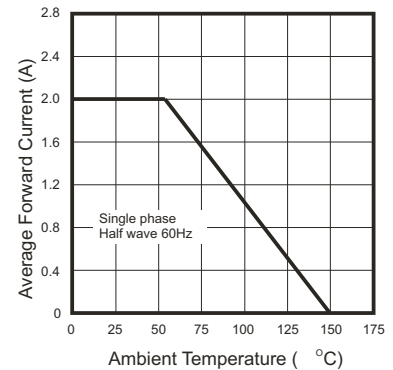


Fig.6 Current Derating Curve



# Mouser Electronics

Authorized Distributor

Click to View Pricing, Inventory, Delivery & Lifecycle Information:

[Comchip Technology:](#)

[CEFB201-G](#) [CEFB202-G](#) [CEFB203-G](#) [CEFB204-G](#) [CEFB205-G](#)