

## POWER.S<sup>3</sup> RCS890 Terminals

Round Connection System (RCS) - high current / high voltage (400/750 V) applications

### Features

#### Female terminal

- ▶ 8 contact blades
- ▶ 2-piece right-angle female terminal
- ▶ Protective plastic cage
- ▶ Copper alloy with Silver plating

#### Male terminal

- ▶ 8.0 mm round terminal
- ▶ Several male terminal lengths available for bus bar connection
- ▶ Plastic cap for IP2xB protection
- ▶ Integrated O-ring sealing
- ▶ M6 integrated threaded insert
- ▶ Copper alloy with Silver plating



### Technical characteristics\*

Contact resistance	< 0.1 mΩ
Contact mating force	< 30 N
Contact unmating force	< 20 N
Max. current carrying capacity at 70°C*	210 A

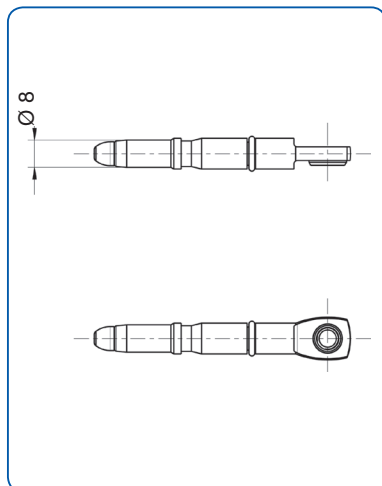
\* with 50 mm<sup>2</sup> cable - for reference only

### Part Numbers for Female Connectors

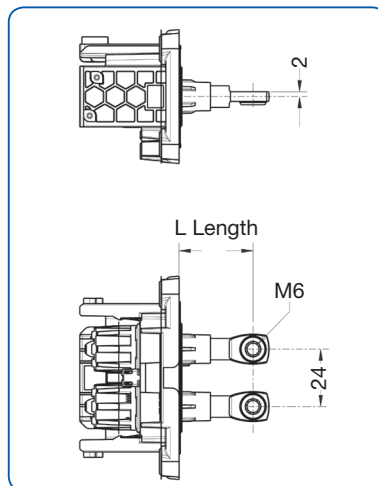
Type of terminal	Terminal P/N	Seal & retainer P/N	Cable wire section
RCS890 female	F601010	F232210	50 mm <sup>2</sup>
RCS890 female		F132210	35 to 40 mm <sup>2</sup>

### Part Numbers for Male Connectors

Type of terminal	Terminal P/N	Single wire seal P/N	Cable wire section	Length L
RCS800 male	F076600	-	-	28.6
RCS800 male	F176600	-	-	50.6
RCS800 male	F276600	-	-	74.6
DCS-2 1.5 mm female interlock, Gold plated	60001534	60993913	0.5 mm <sup>2</sup>	-
	60001534	60993928	>0.5 mm <sup>2</sup> - 1.0 mm <sup>2</sup>	-



Male terminals



Available lengths (L)

Dimensions in mm

# Mouser Electronics

Authorized Distributor

Click to View Pricing, Inventory, Delivery & Lifecycle Information:

[Aptiv:](#)

[F276600](#) [F176600](#) [F922210](#) [F722210](#)