

TAJ Automotive Range

Standard Tantalum - Automotive Product Range



TAJ AUTOMOTIVE RANGE CAPACITANCE AND RATED VOLTAGE RANGE (LETTER DENOTES CASE SIZE)

| Capacitance | | Rated voltage DC (V_R to 85°C) | | | | | | |
|-------------|------|-----------------------------------|---------|---------|---------|---------|---------|---------|
| µF | Code | 6.3V (J) | 10V (A) | 16V (C) | 20V (D) | 25V (E) | 35V (V) | 50V (T) |
| 0.10 | 104 | | | | | | | |
| 0.15 | 154 | | | | | | | |
| 0.22 | 224 | | | | | | | A |
| 0.33 | 334 | | | | | | A | A |
| 0.47 | 474 | | | | | A | A | A/B |
| 0.68 | 684 | | | | | A | A | B |
| 1.0 | 105 | | | A | A | A | A/B | B/C |
| 1.5 | 155 | | | | A | A/B | A/B | C |
| 2.2 | 225 | | A | A | A/B | A/B | B/C | C/D |
| 3.3 | 335 | A | | A/B | A/B | A/B | B/C | C/D |
| 4.7 | 475 | | A/B | A/B | A/B | B/C | B/C/D | C/D |
| 6.8 | 685 | | A/B | A/B | A/B/C | B/C | C/D | D |
| 10 | 106 | A/B | A/B/P | A/B/C | B/C | B/C/D | C/D/Y | D/E |
| 15 | 156 | A/P | A/B/C | B/C | B/C | C/D/Y | D/Y | E |
| 22 | 226 | A/B/C | A/B/C | B/C/D | B/C/D/Y | C/D/Y | D/E | |
| 33 | 336 | A/B | B/C | B/C/D/Y | C/D/Y | D | D/E | |
| 47 | 476 | A/B/C | B/C/D | C/D/Y | D/Y | D/E | E | |
| 68 | 686 | B/C | B/C/D/Y | C/D/Y | D/E | E | | |
| 100 | 107 | B/C/D/Y | C/D/Y | D/E | E | E | | |
| 150 | 157 | C/D/Y | D/E/Y | D/E | | | | |
| 220 | 227 | C/D/Y | D/E | E | | | | |
| 330 | 337 | D/E | D/E | | | | | |
| 470 | 477 | D/E | | | | | | |
| 680 | 687 | D/E | | | | | | |

Released ratings

Note: Voltage ratings are minimum values. AVX reserves the right to supply higher voltage ratings in the same case size, to the same reliability standards.

TAJ Automotive Range

Standard Tantalum - Automotive Product Range



RATINGS & PART NUMBER REFERENCE

| AVX Part No. | Case Size | Capacitance (µF) | Rated Voltage (V) | Rated Temperature (°C) | Category Voltage (V) | Category Temperature (°C) | DCL Max. (µA) | DF Max. (%) | ESR Max. @ 100kHz (Ω) | 100kHz RMS Current (mA) | | | MSL |
|------------------------|-----------|------------------|-------------------|------------------------|----------------------|---------------------------|---------------|-------------|-----------------------|-------------------------|------|-------|-----|
| | | | | | | | | | | 25°C | 85°C | 125°C | |
| 6.3 Volt @ 85°C | | | | | | | | | | | | | |
| TAJA335*006TNJ | A | 3.3 | 6.3 | 85 | 4 | 125 | 0.5 | 6 | 7 | 104 | 93 | 41 | 1 |
| TAJA106*006TNJ | A | 10 | 6.3 | 85 | 4 | 125 | 0.6 | 6 | 4 | 137 | 123 | 55 | 1 |
| TAJB106*006TNJ | B | 10 | 6.3 | 85 | 4 | 125 | 0.5 | 6 | 3 | 168 | 151 | 67 | 1 |
| TAJA156*006TNJ | A | 15 | 6.3 | 85 | 4 | 125 | 0.9 | 6 | 3.5 | 146 | 132 | 59 | 1 |
| TAJP156*006TNJ | P | 15 | 6.3 | 85 | 4 | 125 | 0.9 | 8 | 3.5 | 131 | 118 | 52 | 1 |
| TAJA226*006TNJ | A | 22 | 6.3 | 85 | 4 | 125 | 1.4 | 6 | 3 | 158 | 142 | 63 | 1 |
| TAJB226*006TNJ | B | 22 | 6.3 | 85 | 4 | 125 | 1.4 | 6 | 2.5 | 184 | 166 | 74 | 1 |
| TAJC226*006TNJ | C | 22 | 6.3 | 85 | 4 | 125 | 1.4 | 6 | 2 | 235 | 211 | 94 | 1 |
| TAJA336*006TNJ | A | 33 | 6.3 | 85 | 4 | 125 | 2.1 | 8 | 2.2 | 185 | 166 | 74 | 1 |
| TAJB336*006TNJ | B | 33 | 6.3 | 85 | 4 | 125 | 2.1 | 6 | 2.2 | 197 | 177 | 79 | 1 |
| TAJA476*006TNJ | A | 47 | 6.3 | 85 | 4 | 125 | 2.8 | 10 | 1.6 | 217 | 195 | 87 | 1 |
| TAJB476*006TNJ | B | 47 | 6.3 | 85 | 4 | 125 | 3 | 6 | 2 | 206 | 186 | 82 | 1 |
| TAJC476*006TNJ | C | 47 | 6.3 | 85 | 4 | 125 | 3 | 6 | 1.6 | 262 | 236 | 105 | 1 |
| TAJB686*006TNJ | B | 68 | 6.3 | 85 | 4 | 125 | 4 | 8 | 0.9 | 307 | 277 | 123 | 1 |
| TAJC686*006TNJ | C | 68 | 6.3 | 85 | 4 | 125 | 4.3 | 6 | 1.5 | 271 | 244 | 108 | 1 |
| TAJB107*006TNJ | B | 100 | 6.3 | 85 | 4 | 125 | 6.3 | 10 | 1.4 | 246 | 222 | 99 | 1 |
| TAJC107*006TNJ | C | 100 | 6.3 | 85 | 4 | 125 | 6.3 | 6 | 0.9 | 350 | 315 | 140 | 1 |
| TAJD107*006TNJV | D | 100 | 6.3 | 85 | 4 | 125 | 6.3 | 6 | 0.9 | 408 | 367 | 163 | 3 |
| TAJY107*006TNJV | Y | 100 | 6.3 | 85 | 4 | 125 | 6.3 | 6 | 0.7 | 423 | 380 | 169 | 3 |
| TAJC157*006TNJ | C | 150 | 6.3 | 85 | 4 | 125 | 9.5 | 6 | 1.3 | 291 | 262 | 116 | 1 |
| TAJD157*006TNJV | D | 150 | 6.3 | 85 | 4 | 125 | 9.5 | 6 | 0.9 | 408 | 367 | 163 | 3 |
| TAJY157*006TNJV | Y | 150 | 6.3 | 85 | 4 | 125 | 9.5 | 6 | 0.4 | 559 | 503 | 224 | 3 |
| TAJC227*006TNJ | C | 220 | 6.3 | 85 | 4 | 125 | 8.8 | 8 | 1.2 | 303 | 272 | 121 | 1 |
| TAJD227*006TNJV | D | 220 | 6.3 | 85 | 4 | 125 | 13.9 | 8 | 0.4 | 612 | 551 | 245 | 3 |
| TAJY227*006TNJV | Y | 220 | 6.3 | 85 | 4 | 125 | 13.9 | 8 | 0.7 | 423 | 380 | 169 | 3 |
| TAJD337*006TNJV | D | 330 | 6.3 | 85 | 4 | 125 | 20.8 | 8 | 0.4 | 612 | 551 | 245 | 3 |
| TAJE337*006TNJV | E | 330 | 6.3 | 85 | 4 | 125 | 20.8 | 8 | 0.4 | 642 | 578 | 257 | 3 |
| TAJD477*006TNJV | D | 470 | 6.3 | 85 | 4 | 125 | 28 | 12 | 0.4 | 612 | 551 | 245 | 3 |
| TAJE477*006TNJV | E | 470 | 6.3 | 85 | 4 | 125 | 28 | 10 | 0.4 | 642 | 578 | 257 | 3 |
| TAJD687*006TNJV | D | 680 | 6.3 | 85 | 4 | 125 | 40.8 | 20 | 0.5 | 548 | 493 | 219 | 3 |
| TAJE687*006TNJV | E | 680 | 6.3 | 85 | 4 | 125 | 42.8 | 10 | 0.5 | 574 | 517 | 230 | 3 |
| 10 Volt @ 85°C | | | | | | | | | | | | | |
| TAJA225*010TNJ | A | 2.2 | 10 | 85 | 7 | 125 | 0.5 | 6 | 7 | 104 | 93 | 41 | 1 |
| TAJA475*010TNJ | A | 4.7 | 10 | 85 | 7 | 125 | 0.5 | 6 | 5 | 122 | 110 | 49 | 1 |
| TAJB475*010TNJ | B | 4.7 | 10 | 85 | 7 | 125 | 0.5 | 6 | 4 | 146 | 131 | 58 | 1 |
| TAJA685*010TNJ | A | 6.8 | 10 | 85 | 7 | 125 | 0.7 | 6 | 4 | 137 | 123 | 55 | 1 |
| TAJB685*010TNJ | B | 6.8 | 10 | 85 | 7 | 125 | 0.7 | 6 | 3 | 168 | 151 | 67 | 1 |
| TAJA106*010TNJ | A | 10 | 10 | 85 | 7 | 125 | 1 | 6 | 3 | 158 | 142 | 63 | 1 |
| TAJB106*010TNJ | B | 10 | 10 | 85 | 7 | 125 | 1 | 6 | 2.1 | 201 | 181 | 80 | 1 |
| TAJP106*010TNJ | P | 10 | 10 | 85 | 7 | 125 | 1 | 8 | 6 | 100 | 90 | 40 | 1 |
| TAJA156*010TNJ | A | 15 | 10 | 85 | 7 | 125 | 1.5 | 6 | 3.2 | 153 | 138 | 61 | 1 |
| TAJB156*010TNJ | B | 15 | 10 | 85 | 7 | 125 | 1.5 | 6 | 2.8 | 174 | 157 | 70 | 1 |
| TAJC156*010TNJ | C | 15 | 10 | 85 | 7 | 125 | 1.5 | 6 | 2 | 235 | 211 | 94 | 1 |
| TAJA226*010TNJ | A | 22 | 10 | 85 | 7 | 125 | 2.2 | 8 | 3 | 158 | 142 | 63 | 1 |
| TAJB226*010TNJ | B | 22 | 10 | 85 | 7 | 125 | 2.2 | 6 | 2.4 | 188 | 169 | 75 | 1 |
| TAJC226*010TNJ | C | 22 | 10 | 85 | 7 | 125 | 2.2 | 6 | 1.8 | 247 | 222 | 99 | 1 |
| TAJB336*010TNJ | B | 33 | 10 | 85 | 7 | 125 | 3.3 | 6 | 1.8 | 217 | 196 | 87 | 1 |
| TAJC336*010TNJ | C | 33 | 10 | 85 | 7 | 125 | 3.3 | 6 | 1.6 | 262 | 236 | 105 | 1 |
| TAJB476*010TNJ | B | 47 | 10 | 85 | 7 | 125 | 4.7 | 8 | 1 | 292 | 262 | 117 | 1 |
| TAJC476*010TNJ | C | 47 | 10 | 85 | 7 | 125 | 4.7 | 6 | 1.2 | 303 | 272 | 121 | 1 |
| TAJD476*010TNJV | D | 47 | 10 | 85 | 7 | 125 | 4.7 | 6 | 0.4 | 612 | 551 | 245 | 3 |
| TAJB686*010TNJ | B | 68 | 10 | 85 | 7 | 125 | 6.8 | 8 | 1.4 | 246 | 222 | 99 | 1 |
| TAJC686*010TNJ | C | 68 | 10 | 85 | 7 | 125 | 6.8 | 6 | 1.3 | 291 | 262 | 116 | 1 |
| TAJD686*010TNJV | D | 68 | 10 | 85 | 7 | 125 | 6.8 | 6 | 0.9 | 408 | 367 | 163 | 3 |
| TAJY686*010TNJV | Y | 68 | 10 | 85 | 7 | 125 | 6.8 | 6 | 0.9 | 373 | 335 | 149 | 3 |
| TAJC107*010TNJ | C | 100 | 10 | 85 | 7 | 125 | 10 | 8 | 1.2 | 303 | 272 | 121 | 1 |
| TAJD107*010TNJV | D | 100 | 10 | 85 | 7 | 125 | 10 | 6 | 0.9 | 408 | 367 | 163 | 3 |
| TAJY107*010TNJV | Y | 100 | 10 | 85 | 7 | 125 | 10 | 6 | 0.9 | 373 | 335 | 149 | 3 |
| TAJD157*010TNJV | D | 150 | 10 | 85 | 7 | 125 | 15 | 8 | 0.9 | 408 | 367 | 163 | 3 |
| TAJE157*010TNJV | E | 150 | 10 | 85 | 7 | 125 | 15 | 8 | 0.9 | 428 | 385 | 171 | 3 |
| TAJY157*010TNJV | Y | 150 | 10 | 85 | 7 | 125 | 15 | 6 | 1.2 | 323 | 290 | 129 | 3 |
| TAJD227*010TNJV | D | 220 | 10 | 85 | 7 | 125 | 22 | 8 | 0.5 | 548 | 493 | 219 | 3 |
| TAJE227*010TNJV | E | 220 | 10 | 85 | 7 | 125 | 22 | 8 | 0.5 | 574 | 517 | 230 | 3 |
| TAJD337*010TNJV | D | 330 | 10 | 85 | 7 | 125 | 33 | 8 | 0.9 | 408 | 367 | 163 | 3 |
| TAJE337*010TNJV | E | 330 | 10 | 85 | 7 | 125 | 33 | 8 | 0.9 | 428 | 385 | 171 | 3 |
| 16 Volt @ 85°C | | | | | | | | | | | | | |
| TAJA105*016TNJ | A | 1 | 16 | 85 | 10 | 125 | 0.5 | 4 | 11 | 83 | 74 | 33 | 1 |
| TAJA225*016TNJ | A | 2.2 | 16 | 85 | 10 | 125 | 0.5 | 6 | 6.5 | 107 | 97 | 43 | 1 |
| TAJA335*016TNJ | A | 3.3 | 16 | 85 | 10 | 125 | 0.5 | 6 | 5 | 122 | 110 | 49 | 1 |
| TAJB335*016TNJ | B | 3.3 | 16 | 85 | 10 | 125 | 0.5 | 6 | 4.5 | 137 | 124 | 55 | 1 |
| TAJA475*016TNJ | A | 4.7 | 16 | 85 | 10 | 125 | 0.8 | 6 | 4 | 137 | 123 | 55 | 1 |



TAJ Automotive Range

Standard Tantalum - Automotive Product Range



RATINGS & PART NUMBER REFERENCE

| AVX Part No. | Case Size | Capacitance (µF) | Rated Voltage (V) | Rated Temperature (°C) | Category Voltage (V) | Category Temperature (°C) | DCL Max. (µA) | DF Max. (%) | ESR Max. @ 100kHz (Ω) | 100kHz RMS Current (mA) | | | MSL |
|-----------------------|-----------|------------------|-------------------|------------------------|----------------------|---------------------------|---------------|-------------|-----------------------|-------------------------|------|-------|-----|
| | | | | | | | | | | 25°C | 85°C | 125°C | |
| TAJB475*016TNJ | B | 4.7 | 16 | 85 | 10 | 125 | 0.8 | 6 | 3.5 | 156 | 140 | 62 | 1 |
| TAJA685*016TNJ | A | 6.8 | 16 | 85 | 10 | 125 | 1.1 | 6 | 3.5 | 146 | 132 | 59 | 1 |
| TAJB685*016TNJ | B | 6.8 | 16 | 85 | 10 | 125 | 1.1 | 6 | 2.5 | 184 | 166 | 74 | 1 |
| TAJA106*016TNJ | A | 10 | 16 | 85 | 10 | 125 | 1.6 | 6 | 3 | 158 | 142 | 63 | 1 |
| TAJB106*016TNJ | B | 10 | 16 | 85 | 10 | 125 | 1.6 | 6 | 2.5 | 184 | 166 | 74 | 1 |
| TAJC106*016TNJ | C | 10 | 16 | 85 | 10 | 125 | 1.6 | 6 | 2 | 235 | 211 | 94 | 1 |
| TAJB156*016TNJ | B | 15 | 16 | 85 | 10 | 125 | 2.4 | 6 | 2.5 | 184 | 166 | 74 | 1 |
| TAJC156*016TNJ | C | 15 | 16 | 85 | 10 | 125 | 2.4 | 6 | 1.8 | 247 | 222 | 99 | 1 |
| TAJB226*016TNJ | B | 22 | 16 | 85 | 10 | 125 | 3.5 | 6 | 2.3 | 192 | 173 | 77 | 1 |
| TAJC226*016TNJ | C | 22 | 16 | 85 | 10 | 125 | 3.5 | 6 | 1 | 332 | 298 | 133 | 1 |
| TAJD226*016TNJV | D | 22 | 16 | 85 | 10 | 125 | 3.5 | 6 | 1.1 | 369 | 332 | 148 | 3 |
| TAJB336*016TNJ | B | 33 | 16 | 85 | 10 | 125 | 5.3 | 8 | 2.1 | 201 | 181 | 80 | 1 |
| TAJC336*016TNJ | C | 33 | 16 | 85 | 10 | 125 | 5.3 | 6 | 1.5 | 271 | 244 | 108 | 1 |
| TAJD336*016TNJV | D | 33 | 16 | 85 | 10 | 125 | 5.3 | 6 | 0.9 | 408 | 367 | 163 | 3 |
| TAJY336*016TNJV | Y | 33 | 16 | 85 | 10 | 125 | 5.3 | 6 | 0.9 | 373 | 335 | 149 | 3 |
| TAJC476*016TNJ | C | 47 | 16 | 85 | 10 | 125 | 7.5 | 6 | 0.5 | 469 | 422 | 188 | 1 |
| TAJD476*016TNJV | D | 47 | 16 | 85 | 10 | 125 | 7.5 | 6 | 0.9 | 408 | 367 | 163 | 3 |
| TAJY476*016TNJV | Y | 47 | 16 | 85 | 10 | 125 | 7.5 | 6 | 0.7 | 423 | 380 | 169 | 3 |
| TAJC686*016TNJ | C | 68 | 16 | 85 | 10 | 125 | 10.9 | 6 | 1.3 | 291 | 262 | 116 | 1 |
| TAJD686*016TNJV | D | 68 | 16 | 85 | 10 | 125 | 10.9 | 6 | 0.9 | 408 | 367 | 163 | 3 |
| TAJY686*016TNJV | Y | 68 | 16 | 85 | 10 | 125 | 10.9 | 6 | 0.9 | 373 | 335 | 149 | 3 |
| TAJD107*016TNJV | D | 100 | 16 | 85 | 10 | 125 | 16 | 6 | 0.6 | 500 | 450 | 200 | 3 |
| TAJE107*016TNJV | E | 100 | 16 | 85 | 10 | 125 | 16 | 6 | 0.9 | 428 | 385 | 171 | 3 |
| TAJD157*016TNJV | D | 150 | 16 | 85 | 10 | 125 | 24 | 6 | 0.9 | 408 | 367 | 163 | 3 |
| TAJE157*016TNJV | E | 150 | 16 | 85 | 10 | 125 | 24 | 8 | 0.3 | 742 | 667 | 297 | 3 |
| TAJE227*016TNJV | E | 220 | 16 | 85 | 10 | 125 | 35.2 | 10 | 0.5 | 574 | 517 | 230 | 3 |
| 20 Volt @ 85°C | | | | | | | | | | | | | |
| TAJA105*020TNJ | A | 1 | 20 | 85 | 13 | 125 | 0.5 | 4 | 9 | 91 | 82 | 37 | 1 |
| TAJA155*020TNJ | A | 1.5 | 20 | 85 | 13 | 125 | 0.5 | 6 | 6.5 | 107 | 97 | 43 | 1 |
| TAJA225*020TNJ | A | 2.2 | 20 | 85 | 13 | 125 | 0.5 | 6 | 5.3 | 119 | 107 | 48 | 1 |
| TAJB225*020TNJ | B | 2.2 | 20 | 85 | 13 | 125 | 0.5 | 6 | 3.5 | 156 | 140 | 62 | 1 |
| TAJA335*020TNJ | A | 3.3 | 20 | 85 | 13 | 125 | 0.7 | 6 | 4.5 | 129 | 116 | 52 | 1 |
| TAJB335*020TNJ | B | 3.3 | 20 | 85 | 13 | 125 | 0.7 | 6 | 3 | 168 | 151 | 67 | 1 |
| TAJA475*020TNJ | A | 4.7 | 20 | 85 | 13 | 125 | 0.9 | 6 | 4 | 137 | 123 | 55 | 1 |
| TAJB475*020TNJ | B | 4.7 | 20 | 85 | 13 | 125 | 0.9 | 6 | 3 | 168 | 151 | 67 | 1 |
| TAJA685*020TNJ | A | 6.8 | 20 | 85 | 13 | 125 | 1.4 | 6 | 2.4 | 177 | 159 | 71 | 1 |
| TAJB685*020TNJ | B | 6.8 | 20 | 85 | 13 | 125 | 1.4 | 6 | 2.5 | 184 | 166 | 74 | 1 |
| TAJC685*020TNJ | C | 6.8 | 20 | 85 | 13 | 125 | 1.4 | 6 | 2 | 235 | 211 | 94 | 1 |
| TAJB106*020TNJ | B | 10 | 20 | 85 | 13 | 125 | 2 | 6 | 2.1 | 201 | 181 | 80 | 1 |
| TAJC106*020TNJ | C | 10 | 20 | 85 | 13 | 125 | 2 | 6 | 1.2 | 303 | 272 | 121 | 1 |
| TAJB156*020TNJ | B | 15 | 20 | 85 | 13 | 125 | 3 | 6 | 2 | 206 | 186 | 82 | 1 |
| TAJC156*020TNJ | C | 15 | 20 | 85 | 13 | 125 | 3 | 6 | 1.7 | 254 | 229 | 102 | 1 |
| TAJB226*020TNJ | B | 22 | 20 | 85 | 13 | 125 | 4.4 | 6 | 1.8 | 217 | 196 | 87 | 1 |
| TAJC226*020TNJ | C | 22 | 20 | 85 | 13 | 125 | 4.4 | 6 | 1.6 | 262 | 236 | 105 | 1 |
| TAJD226*020TNJV | D | 22 | 20 | 85 | 13 | 125 | 4.4 | 6 | 0.9 | 408 | 367 | 163 | 3 |
| TAJY226*020TNJV | Y | 22 | 20 | 85 | 13 | 125 | 4.4 | 6 | 0.9 | 373 | 335 | 149 | 3 |
| TAJC336*020TNJ | C | 33 | 20 | 85 | 13 | 125 | 6.6 | 6 | 1.5 | 271 | 244 | 108 | 1 |
| TAJD336*020TNJV | D | 33 | 20 | 85 | 13 | 125 | 6.6 | 6 | 0.9 | 408 | 367 | 163 | 3 |
| TAJY336*020TNJV | Y | 33 | 20 | 85 | 13 | 125 | 6.6 | 6 | 0.6 | 456 | 411 | 183 | 3 |
| TAJD476*020TNJV | D | 47 | 20 | 85 | 13 | 125 | 9.4 | 6 | 0.9 | 408 | 367 | 163 | 3 |
| TAJY476*020TNJV | Y | 47 | 20 | 85 | 13 | 125 | 9.4 | 6 | 0.9 | 373 | 335 | 149 | 3 |
| TAJD686*020TNJV | D | 68 | 20 | 85 | 13 | 125 | 13.6 | 6 | 0.4 | 612 | 551 | 245 | 3 |
| TAJE686*020TNJV | E | 68 | 20 | 85 | 13 | 125 | 13.6 | 6 | 0.9 | 428 | 385 | 171 | 3 |
| TAJE107*020TNJV | E | 100 | 20 | 85 | 13 | 125 | 20 | 6 | 0.4 | 642 | 578 | 257 | 3 |
| 25 Volt @ 85°C | | | | | | | | | | | | | |
| TAJA474*025TNJ | A | 0.47 | 25 | 85 | 17 | 125 | 0.5 | 4 | 14 | 73 | 66 | 29 | 1 |
| TAJA684*025TNJ | A | 0.68 | 25 | 85 | 17 | 125 | 0.5 | 4 | 10 | 87 | 78 | 35 | 1 |
| TAJA105*025TNJ | A | 1 | 25 | 85 | 17 | 125 | 0.5 | 4 | 8 | 97 | 87 | 39 | 1 |
| TAJA155*025TNJ | A | 1.5 | 25 | 85 | 17 | 125 | 0.5 | 6 | 7.5 | 100 | 90 | 40 | 1 |
| TAJB155*025TNJ | B | 1.5 | 25 | 85 | 17 | 125 | 0.5 | 6 | 5 | 130 | 117 | 52 | 1 |
| TAJA225*025TNJ | A | 2.2 | 25 | 85 | 17 | 125 | 0.6 | 6 | 7 | 104 | 93 | 41 | 1 |
| TAJB225*025TNJ | B | 2.2 | 25 | 85 | 17 | 125 | 0.6 | 6 | 4.5 | 137 | 124 | 55 | 1 |
| TAJA335*025TNJ | A | 3.3 | 25 | 85 | 17 | 125 | 0.8 | 6 | 3.7 | 142 | 128 | 57 | 1 |
| TAJB335*025TNJ | B | 3.3 | 25 | 85 | 17 | 125 | 0.8 | 6 | 3.5 | 156 | 140 | 62 | 1 |
| TAJB475*025TNJ | B | 4.7 | 25 | 85 | 17 | 125 | 1.2 | 6 | 1.5 | 238 | 214 | 95 | 1 |
| TAJC475*025TNJ | C | 4.7 | 25 | 85 | 17 | 125 | 1.2 | 6 | 2.4 | 214 | 193 | 86 | 1 |
| TAJB685*025TNJ | B | 6.8 | 25 | 85 | 17 | 125 | 1.7 | 6 | 2.8 | 174 | 157 | 70 | 1 |
| TAJC685*025TNJ | C | 6.8 | 25 | 85 | 17 | 125 | 1.7 | 6 | 2 | 235 | 211 | 94 | 1 |
| TAJB106*025TNJ | B | 10 | 25 | 85 | 17 | 125 | 2.5 | 6 | 2.5 | 184 | 166 | 74 | 1 |
| TAJC106*025TNJ | C | 10 | 25 | 85 | 17 | 125 | 2.5 | 6 | 1.8 | 247 | 222 | 99 | 1 |
| TAJD106*025TNJV | D | 10 | 25 | 85 | 17 | 125 | 2.5 | 6 | 1.2 | 354 | 318 | 141 | 3 |
| TAJC156*025TNJ | C | 15 | 25 | 85 | 17 | 125 | 3.8 | 6 | 1.6 | 262 | 236 | 105 | 1 |



The Important Information/Disclaimer is incorporated in the catalog where these specifications came from or available online at www.avx.com/disclaimer/ by reference and should be reviewed in full before placing any order.

TAJ Automotive Range

Standard Tantalum - Automotive Product Range



RATINGS & PART NUMBER REFERENCE

| AVX Part No. | Case Size | Capacitance (µF) | Rated Voltage (V) | Rated Temperature (°C) | Category Voltage (V) | Category Temperature (°C) | DCL Max. (µA) | DF Max. (%) | ESR Max. @ 100kHz (Ω) | 100kHz RMS Current (mA) | | | MSL |
|-----------------------|-----------|------------------|-------------------|------------------------|----------------------|---------------------------|---------------|-------------|-----------------------|-------------------------|------|-------|-----|
| | | | | | | | | | | 25°C | 85°C | 125°C | |
| TAJD156*025TNJV | D | 15 | 25 | 85 | 17 | 125 | 3.8 | 6 | 1 | 387 | 349 | 155 | 3 |
| TAJY156*025TNJV | Y | 15 | 25 | 85 | 17 | 125 | 3.8 | 6 | 1 | 354 | 318 | 141 | 3 |
| TAJC226*025TNJ | C | 22 | 25 | 85 | 17 | 125 | 5.5 | 6 | 1.4 | 280 | 252 | 112 | 1 |
| TAJD226*025TNJV | D | 22 | 25 | 85 | 17 | 125 | 5.5 | 6 | 0.9 | 408 | 367 | 163 | 3 |
| TAJY226*025TNJV | Y | 22 | 25 | 85 | 17 | 125 | 5.5 | 6 | 0.8 | 395 | 356 | 158 | 3 |
| TAJD336*025TNJV | D | 33 | 25 | 85 | 17 | 125 | 8.3 | 6 | 0.9 | 408 | 367 | 163 | 3 |
| TAJD476*025TNJV | D | 47 | 25 | 85 | 17 | 125 | 11.8 | 6 | 0.9 | 408 | 367 | 163 | 3 |
| TAJE476*025TNJV | E | 47 | 25 | 85 | 17 | 125 | 11.8 | 6 | 0.9 | 428 | 385 | 171 | 3 |
| TAJE686*025TNJV | E | 68 | 25 | 85 | 17 | 125 | 17 | 6 | 0.9 | 428 | 385 | 171 | 3 |
| TAJE107*025TNJV | E | 100 | 25 | 85 | 17 | 125 | 25 | 10 | 0.3 | 742 | 667 | 297 | 3 |
| 35 Volt @ 85°C | | | | | | | | | | | | | |
| TAJA334*035TNJ | A | 0.33 | 35 | 85 | 23 | 125 | 0.5 | 4 | 15 | 71 | 64 | 28 | 1 |
| TAJA474*035TNJ | A | 0.47 | 35 | 85 | 23 | 125 | 0.5 | 4 | 12 | 79 | 71 | 32 | 1 |
| TAJA684*035TNJ | A | 0.68 | 35 | 85 | 23 | 125 | 0.5 | 4 | 8 | 97 | 87 | 39 | 1 |
| TAJA105*035TNJ | A | 1 | 35 | 85 | 23 | 125 | 0.5 | 4 | 7.5 | 100 | 90 | 40 | 1 |
| TAJB105*035TNJ | B | 1 | 35 | 85 | 23 | 125 | 0.5 | 4 | 6.5 | 114 | 103 | 46 | 1 |
| TAJA155*035TNJ | A | 1.5 | 35 | 85 | 23 | 125 | 0.5 | 6 | 7.5 | 100 | 90 | 40 | 1 |
| TAJB155*035TNJ | B | 1.5 | 35 | 85 | 23 | 125 | 0.5 | 6 | 5.2 | 128 | 115 | 51 | 1 |
| TAJB225*035TNJ | B | 2.2 | 35 | 85 | 23 | 125 | 0.8 | 6 | 4.2 | 142 | 128 | 57 | 1 |
| TAJC225*035TNJ | C | 2.2 | 35 | 85 | 23 | 125 | 0.8 | 6 | 3.5 | 177 | 160 | 71 | 1 |
| TAJB335*035TNJ | B | 3.3 | 35 | 85 | 23 | 125 | 1.2 | 6 | 3.5 | 156 | 140 | 62 | 1 |
| TAJC335*035TNJ | C | 3.3 | 35 | 85 | 23 | 125 | 1.2 | 6 | 2.5 | 210 | 189 | 84 | 1 |
| TAJB475*035TNJ | B | 4.7 | 35 | 85 | 23 | 125 | 1.6 | 6 | 3.1 | 166 | 149 | 66 | 1 |
| TAJC475*035TNJ | C | 4.7 | 35 | 85 | 23 | 125 | 1.6 | 6 | 2.2 | 224 | 201 | 89 | 1 |
| TAJD475*035TNJV | D | 4.7 | 35 | 85 | 23 | 125 | 1.6 | 6 | 1.5 | 316 | 285 | 126 | 3 |
| TAJC685*035TNJ | C | 6.8 | 35 | 85 | 23 | 125 | 2.4 | 6 | 1.8 | 247 | 222 | 99 | 1 |
| TAJD685*035TNJV | D | 6.8 | 35 | 85 | 23 | 125 | 2.4 | 6 | 1.3 | 340 | 306 | 136 | 3 |
| TAJC106*035TNJ | C | 10 | 35 | 85 | 23 | 125 | 3.5 | 6 | 1.6 | 262 | 236 | 105 | 1 |
| TAJD106*035TNJV | D | 10 | 35 | 85 | 23 | 125 | 3.5 | 6 | 1 | 387 | 349 | 155 | 3 |
| TAJY106*035TNJV | Y | 10 | 35 | 85 | 23 | 125 | 3.5 | 6 | 1 | 354 | 318 | 141 | 3 |
| TAJD156*035TNJV | D | 15 | 35 | 85 | 23 | 125 | 5.3 | 6 | 0.9 | 408 | 367 | 163 | 3 |
| TAJY156*035TNJV | Y | 15 | 35 | 85 | 23 | 125 | 5.3 | 6 | 0.6 | 456 | 411 | 183 | 3 |
| TAJD226*035TNJV | D | 22 | 35 | 85 | 23 | 125 | 7.7 | 6 | 0.9 | 408 | 367 | 163 | 3 |
| TAJE226*035TNJV | E | 22 | 35 | 85 | 23 | 125 | 7.7 | 6 | 0.5 | 574 | 517 | 230 | 3 |
| TAJD336*035TNJV | D | 33 | 35 | 85 | 23 | 125 | 11.6 | 6 | 0.9 | 408 | 367 | 163 | 3 |
| TAJE336*035TNJV | E | 33 | 35 | 85 | 23 | 125 | 11.6 | 6 | 0.9 | 428 | 385 | 171 | 3 |
| TAJE476*035TNJV | E | 47 | 35 | 85 | 23 | 125 | 16.5 | 6 | 0.9 | 428 | 385 | 171 | 3 |
| 50 Volt @ 85°C | | | | | | | | | | | | | |
| TAJA224*050TNJ | A | 0.22 | 50 | 85 | 33 | 125 | 0.5 | 4 | 18 | 65 | 58 | 26 | 1 |
| TAJA334*050TNJ | A | 0.33 | 50 | 85 | 33 | 125 | 0.5 | 4 | 17 | 66 | 60 | 27 | 1 |
| TAJA474*050TNJ | A | 0.47 | 50 | 85 | 33 | 125 | 0.5 | 4 | 9.5 | 89 | 80 | 36 | 1 |
| TAJB474*050TNJ | B | 0.47 | 50 | 85 | 33 | 125 | 0.5 | 4 | 9.5 | 95 | 85 | 38 | 1 |
| TAJB684*050TNJ | B | 0.68 | 50 | 85 | 33 | 125 | 0.5 | 4 | 8 | 103 | 93 | 41 | 1 |
| TAJB105*050TNJ | B | 1 | 50 | 85 | 33 | 125 | 0.5 | 6 | 7 | 110 | 99 | 44 | 1 |
| TAJC105*050TNJ | C | 1 | 50 | 85 | 33 | 125 | 0.5 | 4 | 5.5 | 141 | 127 | 57 | 1 |
| TAJC155*050TNJ | C | 1.5 | 50 | 85 | 33 | 125 | 0.8 | 6 | 4.5 | 156 | 141 | 63 | 1 |
| TAJC225*050TNJ | C | 2.2 | 50 | 85 | 33 | 125 | 1.1 | 8 | 2.5 | 210 | 189 | 84 | 1 |
| TAJD225*050TNJV | D | 2.2 | 50 | 85 | 33 | 125 | 1.1 | 6 | 2.5 | 245 | 220 | 98 | 3 |
| TAJC335*050TNJ | C | 3.3 | 50 | 85 | 33 | 125 | 1.6 | 6 | 2.5 | 210 | 189 | 84 | 1 |
| TAJD335*050TNJV | D | 3.3 | 50 | 85 | 33 | 125 | 1.7 | 6 | 2 | 274 | 246 | 110 | 3 |
| TAJC475*050TNJ | C | 4.7 | 50 | 85 | 33 | 125 | 2.4 | 6 | 1.4 | 280 | 252 | 112 | 1 |
| TAJD475*050TNJV | D | 4.7 | 50 | 85 | 33 | 125 | 2.4 | 6 | 1.4 | 327 | 295 | 131 | 3 |
| TAJD685*050TNJV | D | 6.8 | 50 | 85 | 33 | 125 | 3.4 | 6 | 1 | 387 | 349 | 155 | 3 |
| TAJD106*050TNJV | D | 10 | 50 | 85 | 33 | 125 | 5 | 6 | 0.8 | 433 | 390 | 173 | 3 |
| TAJE106*050TNJV | E | 10 | 50 | 85 | 33 | 125 | 5 | 6 | 1 | 406 | 366 | 162 | 3 |
| TAJE156*050TNJV | E | 15 | 50 | 85 | 33 | 125 | 7.5 | 6 | 0.6 | 524 | 472 | 210 | 3 |

Moisture Sensitivity Level (MSL) is defined according to J-STD-020

*Please use "U" instead of "T" in the suffix letter for 13" reel packaging

Please use specific PN for automotive version – see "HOW TO ORDER".

All technical data relates to an ambient temperature of +25°C. Capacitance and DF are measured at 120Hz, 0.5V RMS with a maximum DC bias of 2.2 volts.

DCL is measured at rated voltage after 5 minutes.

For typical weight and composition see page 259.

NOTE: AVX reserves the right to supply higher voltage ratings or tighter tolerance part in the same case size, to the same reliability standards.

TAJ Automotive Range

Standard Tantalum - Automotive Product Range

QUALIFICATION TABLE

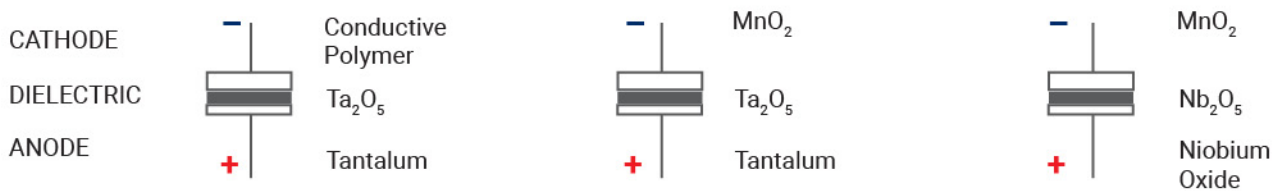
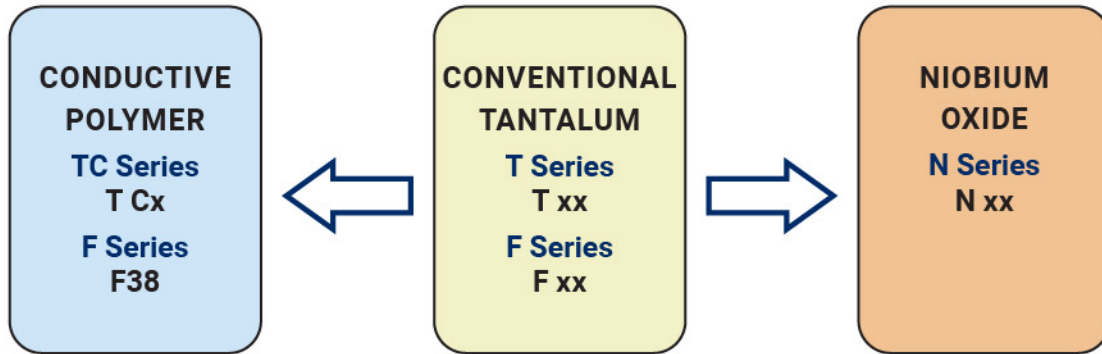
| TEST | TAJ automotive series (Temperature range -55°C to +125°C) | | | | | | | | | |
|------------------------------|---|---------------|---------------|--------------------|------------------------------------|-----------|-----------|-----------|------------|-----------|
| | Condition | | | Characteristics | | | | | | |
| Endurance | Apply rated voltage (Ur) at 85°C and / or category voltage (Uc) at 125°C for 2000 hours through a circuit impedance of $\leq 0.1\Omega/V$. Stabilize at room temperature for 1-2 hours before measuring. | | | Visual examination | no visible damage | | | | | |
| | | | | DCL | 1.25 x initial limit | | | | | |
| | | | | $\Delta C/C$ | within $\pm 10\%$ of initial value | | | | | |
| | | | | DF | initial limit | | | | | |
| | | | | ESR | initial limit | | | | | |
| Storage Life | Store at 125°C, no voltage applied, for 2000 hours. Stabilize at room temperature for 1-2 hours before measuring. | | | Visual examination | no visible damage | | | | | |
| | | | | DCL | 1.25 x initial limit | | | | | |
| | | | | $\Delta C/C$ | within $\pm 10\%$ of initial value | | | | | |
| | | | | DF | initial limit | | | | | |
| | | | | ESR | initial limit | | | | | |
| Humidity | Store at 65°C and 95% relative humidity for 500 hours, with no applied voltage. Stabilize at room temperature and humidity for 1-2 hours before measuring. | | | Visual examination | no visible damage | | | | | |
| | | | | DCL | 1.5 x initial limit | | | | | |
| | | | | $\Delta C/C$ | within $\pm 10\%$ of initial value | | | | | |
| | | | | DF | 1.2 x initial limit | | | | | |
| | | | | ESR | initial limit | | | | | |
| Biased Humidity | Apply rated voltage (Ur) at 85°C, 85% relative humidity for 1000 hours. Stabilize at room temperature and humidity for 1-2 hours before measuring. | | | Visual examination | no visible damage | | | | | |
| | | | | DCL | 2 x initial limit | | | | | |
| | | | | $\Delta C/C$ | within $\pm 10\%$ of initial value | | | | | |
| | | | | DF | 1.2 x initial limit | | | | | |
| | | | | ESR | initial limit | | | | | |
| Temperature Stability | Step | Temperature°C | Duration(min) | | +20°C | -55°C | +20°C | +85°C | +125°C | +20°C |
| | 1 | +20 | 15 | DCL | IL* | n/a | IL* | 10 x IL* | 12.5 x IL* | IL* |
| | 2 | -55 | 15 | $\Delta C/C$ | n/a | +0/-10% | $\pm 5\%$ | +10/-0% | +12/-0% | $\pm 5\%$ |
| | 3 | +20 | 15 | DF | IL* | 1.5 x IL* | IL* | 1.5 x IL* | 2 x IL* | IL* |
| | 4 | +85 | 15 | ESR | IL* | 2 x IL* | IL* | IL* | IL* | IL* |
| | 5 | +125 | 15 | | | | | | | |
| | 6 | +20 | 15 | | | | | | | |
| Surge Voltage | Apply 1.3x category voltage (Uc) at 125°C for 1000 cycles of duration 6 min (30 sec charge, 5 min 30 sec discharge) through a charge / discharge resistance of 1000 Ω | | | Visual examination | no visible damage | | | | | |
| | | | | DCL | initial limit | | | | | |
| | | | | $\Delta C/C$ | within $\pm 5\%$ of initial value | | | | | |
| | | | | DF | initial limit | | | | | |
| | | | | ESR | initial limit | | | | | |
| Mechanical Shock | MIL-STD-202, Method 213, Condition F | | | Visual examination | no visible damage | | | | | |
| | | | | DCL | initial limit | | | | | |
| | | | | $\Delta C/C$ | within $\pm 5\%$ of initial value | | | | | |
| | | | | DF | initial limit | | | | | |
| | | | | ESR | initial limit | | | | | |
| Vibration | MIL-STD-202, Method 204, Condition D | | | Visual examination | no visible damage | | | | | |
| | | | | DCL | initial limit | | | | | |
| | | | | $\Delta C/C$ | within $\pm 5\%$ of initial value | | | | | |
| | | | | DF | initial limit | | | | | |
| | | | | ESR | initial limit | | | | | |

*Initial Limit

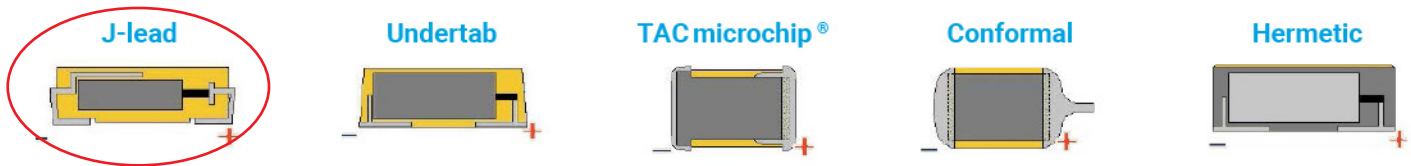
TAJ Automotive Range

Standard Tantalum - Automotive Product Range

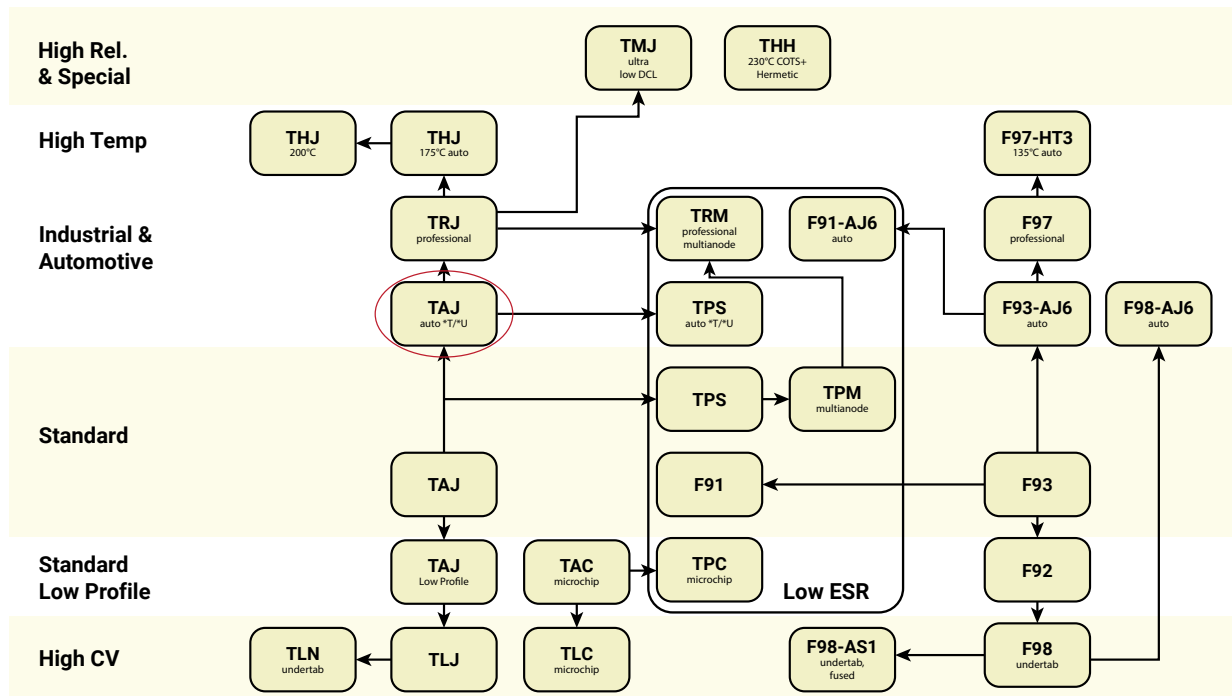
AVX SOLID ELECTROLYTIC CAPACITOR ROADMAP



FIVE CAPACITOR CONSTRUCTION STYLES



SERIES LINE UP: CONVENTIONAL SMD MnO₂



Mouser Electronics

Authorized Distributor

Click to View Pricing, Inventory, Delivery & Lifecycle Information:

Kyocera AVX:

[TAJB155K025TNJV](#) [TAJA335K025TNJ](#) [TAJC226K010TNJ](#) [TAJA475K016UNJ](#) [TAJB106K006TNJ](#)
[TAJB106K016TNJ](#) [TAJB226K016TNJ](#) [TAJE107K020TNJV](#) [TAJB336M010TNJ](#) [TAJA105K035TNJ](#) [TAJA106K016TNJ](#)
[TAJB476M010TNJ](#) [TAJY336M020TNJV](#) [TAJY107M006TNJV](#) [TAJY156M035TNJV](#) [TAJY156M025TNJV](#)
[TAJY226M025TNJV](#) [TAJY686M016TNJV](#) [TAJY157M006TNJV](#) [TAJY336M016TNJV](#) [TAJY227M006TNJV](#)
[TAJY226M020TNJV](#) [TAJY157M010TNJV](#) [TAJY476M020TNJV](#) [TAJY686M010TNJV](#) [TAJY107M010TNJV](#)
[TAJY106M035TNJV](#) [TAJY476M016TNJV](#) [TAJB106K010TNJ](#) [TAJC476K010TNJ](#) [TAJE157K010TNJV](#)
[TAJD476K010TNJV](#) [TAJC336K010TNJ](#) [TAJD157K010TNJV](#) [TAJA685K010TNJ](#) [TAJA156K010TNJ](#)
[TAJC156K010TNJ](#) [TAJE227K010TNJV](#) [TAJA106K010TNJ](#) [TAJA225K010TNJ](#) [TAJC686K010TNJ](#) [TAJB336K010TNJ](#)
[TAJD107K010TNJV](#) [TAJC107K010TNJ](#) [TAJA475K010TNJ](#) [TAJB156K010TNJ](#) [TAJD686K010TNJV](#)
[TAJB475K010TNJ](#) [TAJD227K010TNJV](#) [TAJB685K010TNJ](#) [TAJB226K010TNJ](#) [TAJA226K010TNJ](#)
[TAJE337K010TNJV](#) [TAJB476K010TNJ](#) [TAJY107K010TNJV](#) [TAJY157K010TNJV](#) [TAJY686K010TNJV](#)
[TAJA225K016TNJV](#) [TAJE687M006TNJV](#) [TAJA336M006TNJ](#) [TAJB336M010UNJ](#) [TAJD475K050TNJV](#)
[TAJC225M035TNJ](#) [TAJB475M016UNJ](#) [TAJC156K020TNJ](#) [TAJC226K025UNJ](#) [TAJD106M035TNJV](#)
[TAJE156M050TNJV](#) [TAJA334K035TNJ](#) [TAJD686K016TNJV](#) [TAJA474K025TNJ](#) [TAJC107M010UNJ](#)
[TAJD156K035TNJV](#) [TAJC336K020TNJ](#) [TAJC476M010TNJ](#) [TAJD477M006TNJV](#) [TAJB156K016TNJ](#)
[TAJC336M020UNJ](#) [TAJA156K006TNJ](#) [TAJD335K050TNJV](#) [TAJB475M035TNJ](#) [TAJE686K020TNJV](#)
[TAJC226M006TNJ](#) [TAJB106K020TNJ](#) [TAJD475M050UNJV](#) [TAJB335K035TNJ](#) [TAJC106K025TNJ](#)
[TAJD336M020TNJV](#) [TAJB225K020TNJ](#) [TAJD336K020TNJV](#) [TAJA225K020TNJ](#) [TAJC336K016TNJ](#)
[TAJE156K050TNJV](#) [TAJB156M010UNJ](#) [TAJA685K016TNJ](#) [TAJC106M020TNJ](#) [TAJC105K050TNJ](#)
[TAJC105M050TNJ](#) [TAJE336M035TNJV](#) [TAJC335K050TNJ](#)