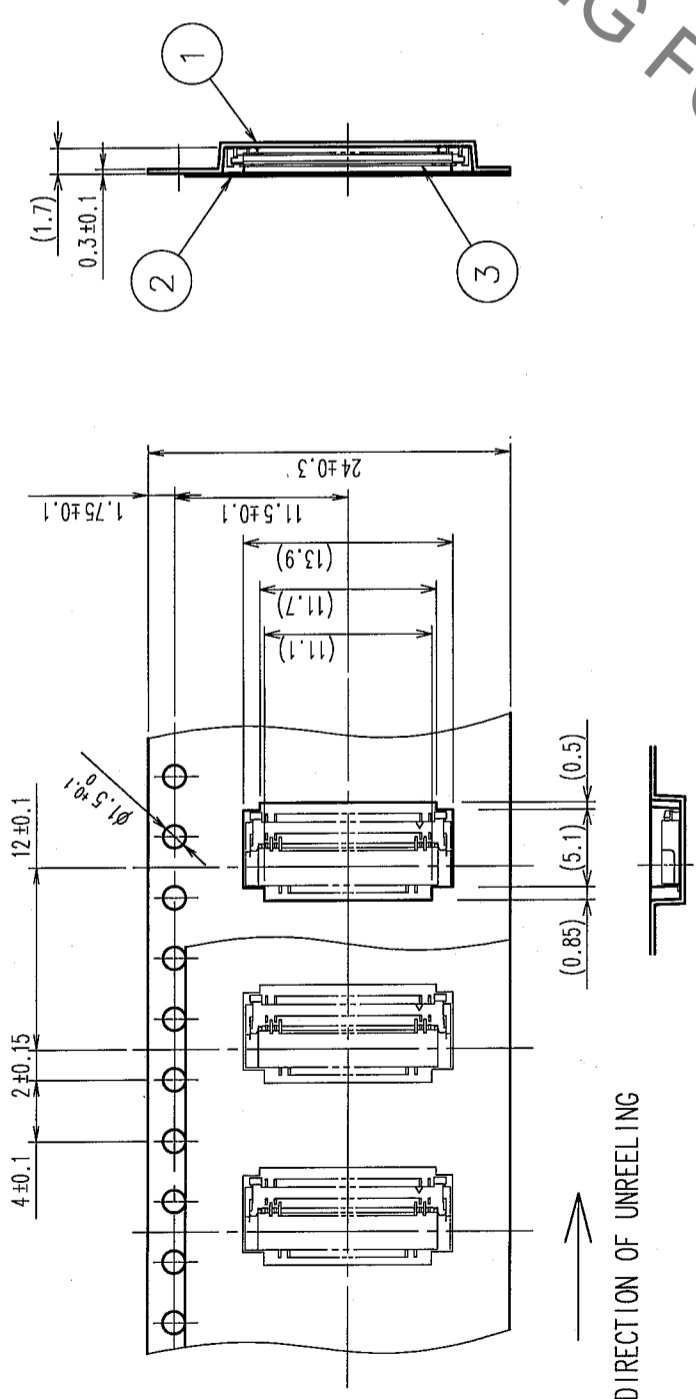
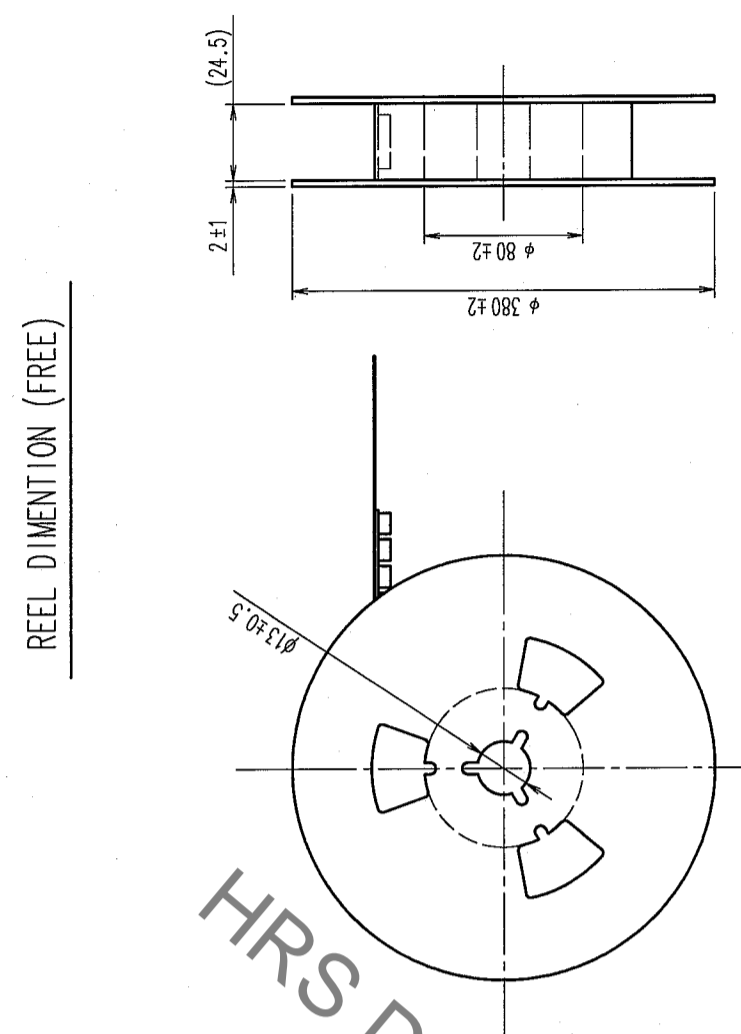
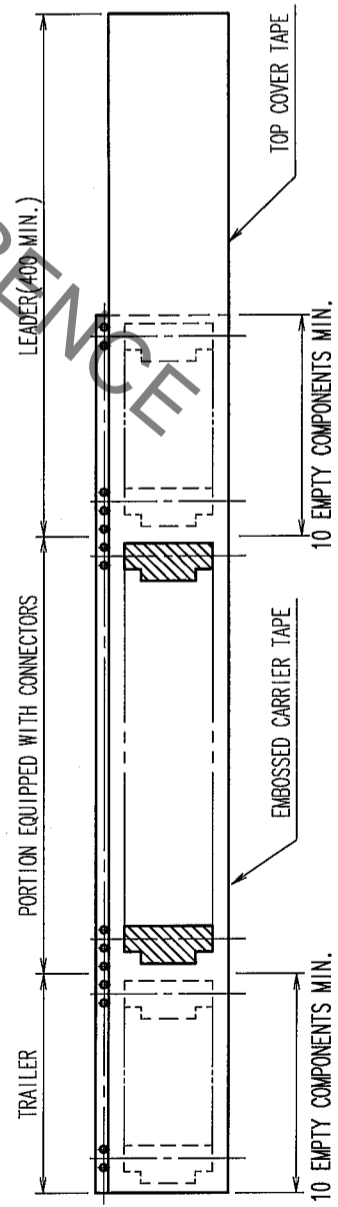


COUNT	DESCRIPTION OF REVISIONS	BY	CHKD	DATE	COUNT	DESCRIPTION OF REVISIONS	BY	CHKD	DATE
△									
△									
△									



HRS DRAWING FOR REFERENCE

NOTES 1 THE DIMENTIONS IN PARENTHISES ARE FOR REFERENCE.
 2 PER REEL : 2500 CONNECTORS.



2	POLYESTER		4						
1	POLYSTYRENE		3	(CONNECTOR)					
NO.	MATERIAL	FINISH, REMARKS	NO.	MATERIAL	FINISH, REMARKS	DESIGNED	CHECKED	APPROVED	RELEASED
						T. SHIBUYA	H. Kishi	<i>R. Takayama</i>	
						06.02.21	06.02.22	06.02.22	
CODE NO. (OLD)		DRAWING NO.		PART NO.					
		EDC3-155959-01		FH23-37S-0.3SHW(05)					
SCALE		UNITS		DRAWN					
2 : 1		ITM		K. YAMAMOTO					
				06.02.21					
				HIROSE ELECTRIC CO., LTD					
				CL586-1335-1-05					
				FORM NO. 229					

TO	NC		
----	----	--	--

Mouser Electronics

Authorized Distributor

Click to View Pricing, Inventory, Delivery & Lifecycle Information:

[Hirose Electric:](#)

[FH23-37S-0.3SHW\(05\)](#)