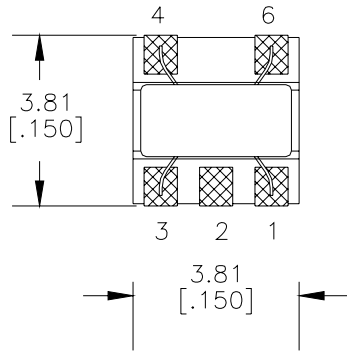
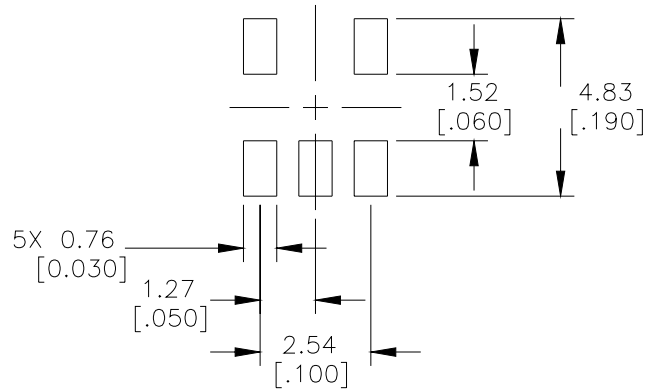




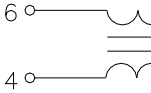
## Mechanical Specifications



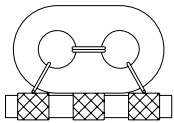
TOP VIEW



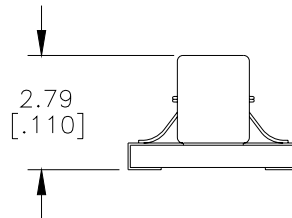
SUGGESTED LAND PATTERN  
TOP VIEW



SCH



SIDE VIEW



FRONT VIEW

DIMENSIONS	MM
TOLERANCES	.XX +/
	.XXX +

**Pulse**  
 12220 World Trade Dr.  
 San Diego, CA 92128  
 U.S.A. [www.pulseeng.com](http://www.pulseeng.com)  
 TEL: 858 674 8100  
 FAX: 858 674 8262

Proprietary & Confidential

# Mouser Electronics

Authorized Distributor

Click to View Pricing, Inventory, Delivery & Lifecycle Information:

Pulse:

[CX2232NL](#)