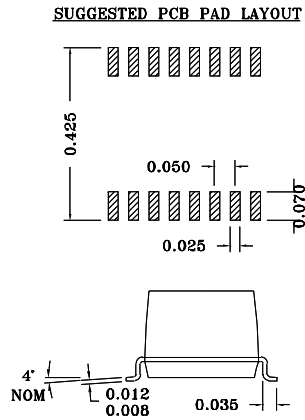
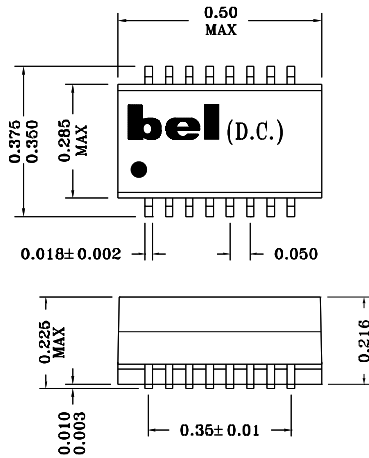


## 10BASE-T NETWORK COMPONENTS

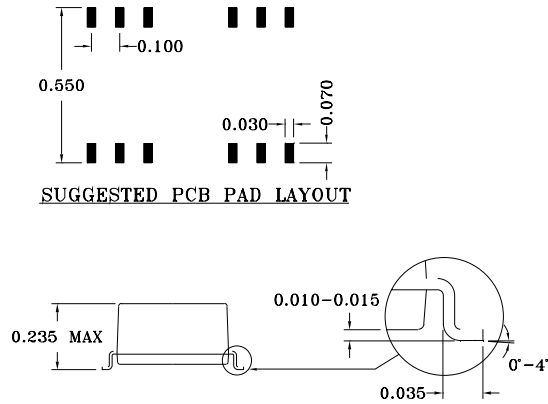
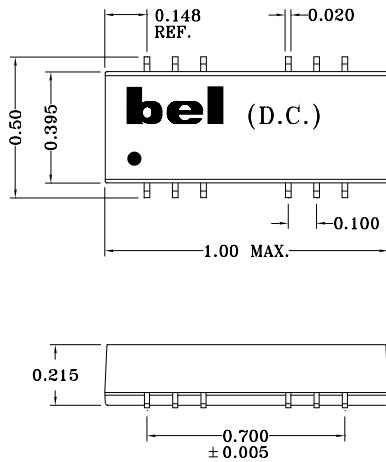
960051B

### MECHANICALS (CONT'D)

2



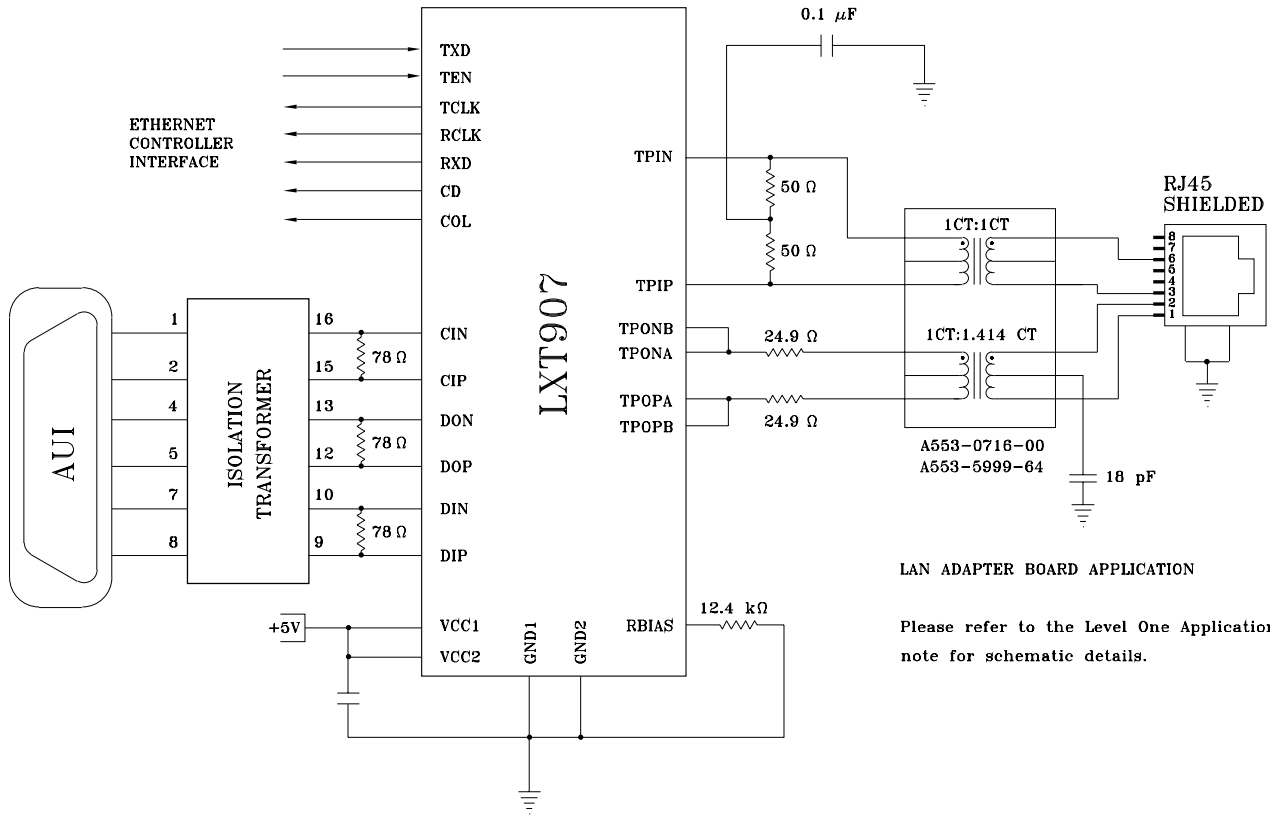
3



Specifications subject to change without notice.

# 10BASE-T NETWORK COMPONENTS

## APPLICATION CIRCUIT



### LAN ADAPTER BOARD APPLICATION

Please refer to the Level One Application note for schematic details.



defining a degree of excellence

## 10BASE-T NETWORK COMPONENTS

960051B

### APPLICATION NOTES

---

- All designs meet IEEE 802.3 standards.
- Models with additional differential filtering are typically used in high density, multi-port applications or high noise content adapter cards.
- Bel's low profile, surface mount packaging is ideal for high speed pick and place machinery. Parts can be shipped on tape and reel for high speed placement. Construction processes have been implemented for thermal compatibility with high temperature IR reflow assembly processing. Post dipping of leads assist with PC board solderability. Each part is optically inspected to meet rigid coplanarity requirements.

---

#### *Corporate Office*

**Bel Fuse Inc.**

198 Van Vorst Street, Jersey City, NJ 07302-4496

Tel: 201-432-0463

Fax: 201-432-9542

E-Mail: [BelFuse@belfuse.com](mailto:BelFuse@belfuse.com)

Internet: <http://www.belfuse.com>

#### *Far East Office*

**Bel Fuse Ltd.**

8F/8 Luk Hop Street

San Po Kong

Kowloon, Hong Kong

Tel: 852-2328-5515

Fax: 852-2352-3706

#### *European Office*

**Bel Fuse Europe Ltd.**

Preston Technology Management Centre

Marsh Lane, Preston PR1 8UD

Lancashire, U.K.

Tel: 44-1772-556601

Fax: 44-1772-888366

# Mouser Electronics

Authorized Distributor

Click to View Pricing, Inventory, Delivery & Lifecycle Information:

[Bel:](#)

[S558-5999-J1-F](#) [S554-6500-25-F](#) [S558-5999-79-F](#) [S558-5999-U5-F](#) [S558-5999-90-F](#) [S553-6500-C8-F](#) [S553-6500-C4-F](#) [S553-6500-F6-F](#) [S553-6500-A5-F](#) [S558-5999-AF-F](#) [S558-5999-K6-F](#) [S553-6500-B9-F](#) [S558-5999-G9-F](#) [S558-5999-K9-F](#) [S553-6500-A6-F](#) [S553-6500-A7-F](#) [S558-5999-42-F](#) [S558-5500-16-F](#) [S558-5500-12-F](#) [S553-5999-86-F](#) [S553-5999-52-F](#) [S553-5999-08-F](#) [S553-0716-00-F](#) [S553-6500-89-F](#) [S553-5999-D6-F](#) [S558-5500-02-F](#) [S558-5999-03-F](#) [S558-5500-13-F](#) [S558-5999-Z3-F](#) [S555-6400-15-F](#) [S559-6204-22-F](#) [0553-0013-AC-F](#) [S560-6600-DJ-F](#) [S553-1445-00-F](#) [S555-5999-02-F](#) [S555-5999-15-F](#)