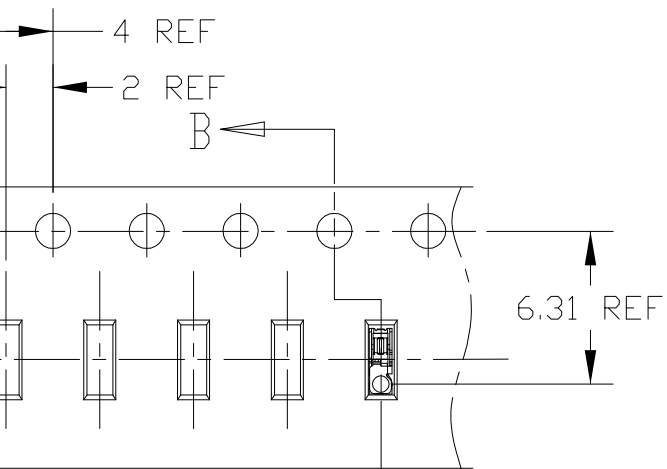
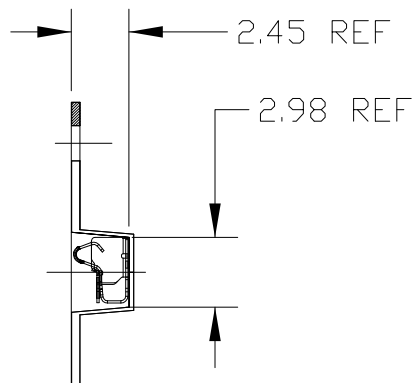


LOC		DIST		REVISIONS			
P	LTR	DESCRIPTION		DATE	DWN	APVD	
		SEE SHEET 1					

OR MBV62561601>



REEL



SECTION B-B

(C1)

MBV62561601-YYYYMMDD-*****-HK000120

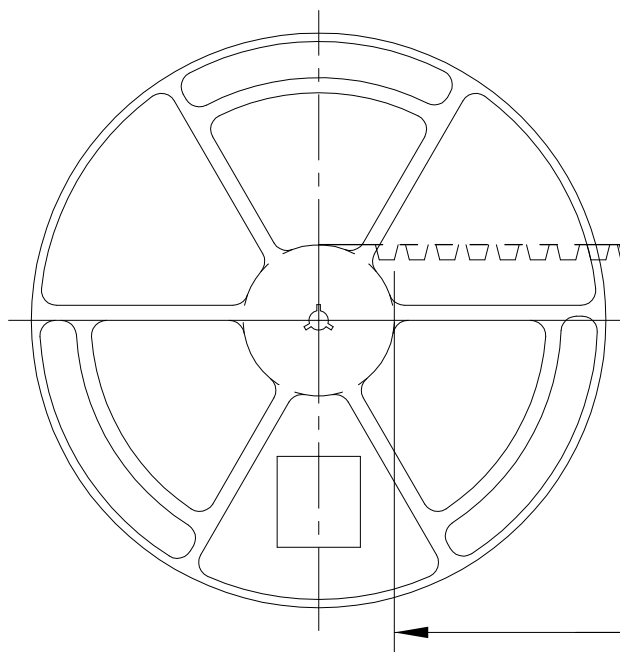
SPEC: 2.4H SPRING FINGER WITH EMBOSS

Company Name: TE CONNECTIVITY
Tyco Part Number : 2108613-5

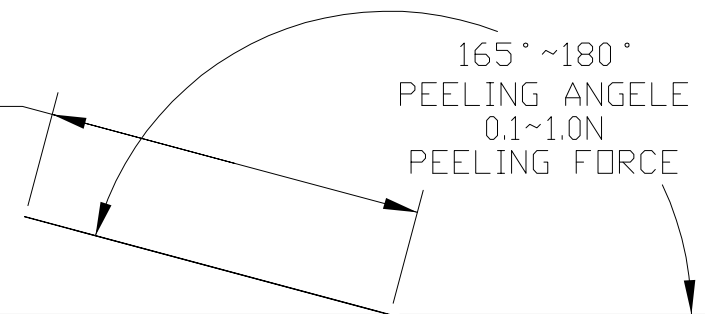
RoHS
H/F

1. LG PART NO. 2. FINAL INSPECTION(YYYMMDD)
3. VENDOR PRODUCTION LOT NO. 4. VENDOR CODE

A.



WEEDING THE COVER TAPE,
AROUND THE OUTER
PERIPHERY IN
A TURN



WITH PRODUCT CHARGE
6000EA/1REEL

WITHOUT CHARGE
400mm REF.

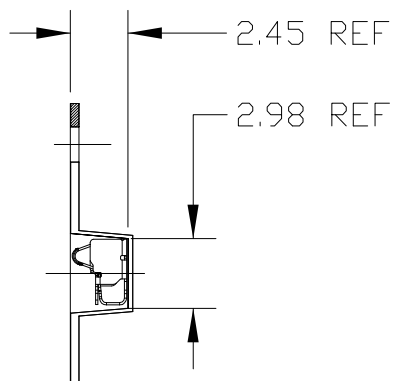
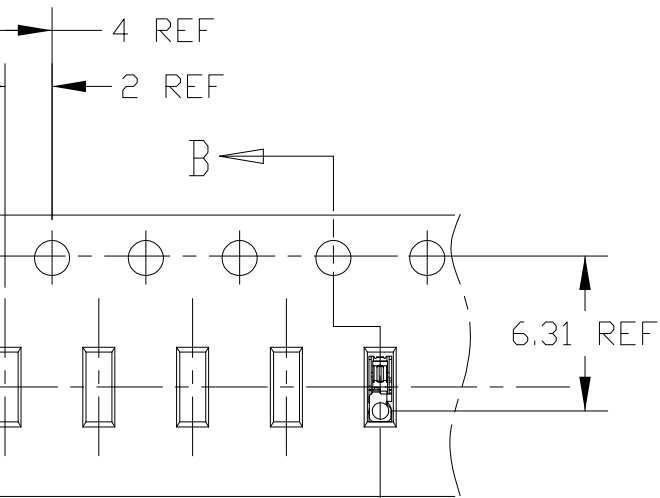
160mm REF
WITHOUT CHARGE

WIDTH

THIS DRAWING IS A CONTROLLED DOCUMENT.		DWN JH GONG 08FEB2013	TE Connectivity	
DIMENSIONS: mm		CHK JH KIM 08FEB2013		
TOLERANCES UNLESS OTHERWISE SPECIFIED: ± 0.15		PRODUCT SPEC 108-XXXXX		NAME
0-PLC ± 1-PLC ±0.5 2-PLC ±0.13 3-PLC ±0.013 4-PLC ±0.0001 ANGLES ±		APPLICATION SPEC		SPRING FINGER 2.4H
MATERIAL		WEIGHT		SIZE CAGE CODE DRAWING NO RESTRICTED TO
				A3 00779 C=2108613 -
CUSTOMER DRAWING			SCALE	SHEET
			20:1	2 OF 3 REV C2

LDC		DIST		REVISIONS			
P	LTR	DESCRIPTION		DATE	DWN	APVD	
		SEE SHEET 1					

OR EAG63652101>



REEL SECTION B-B

(C1)

100

TE

EAG63652101-YYYYMMDD-*****-HK000120

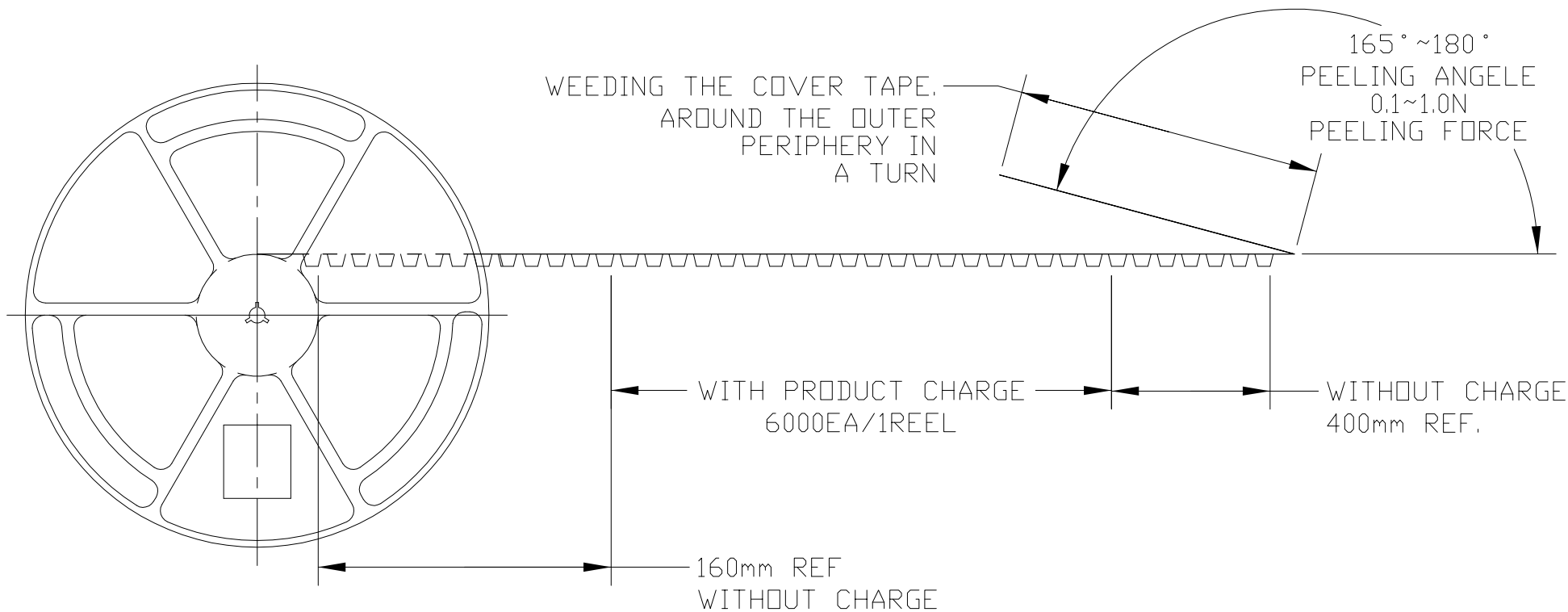
SPEC: 2.4H SPRING FINGER WITH EMBOSS

Company Name: TE CONNECTIVITY
Tyco Part Number : 2108613-5

RoHS
H/F

70

1. LG PART NO.
2. FINAL INSPECTION(YMMDD)
3. VENDOR PRODUCTION LOT NO.
4. VENDOR CODE



WIDTH

THIS DRAWING IS A CONTROLLED DOCUMENT.		DWN JH GONG 08FEB2013	TE TE Connectivity				
DIMENSIONS: mm		CHK JH KIM 08FEB2013					
		APVD JH KIM 08FEB2013	NAME SPRING FINGER 2.4H				
		PRODUCT SPEC 108-XXXXX					
TOLERANCES UNLESS OTHERWISE SPECIFIED: ± 0.15		APPLICATION SPEC -	SIZE A3	CAGE CODE 00779	DRAWING NO C-2108613	RESTRICTED TO -	
MATERIAL -		FINISH -	WEIGHT -	SCALE 20:1	SHEET 3	OF 3	REV C2
CUSTOMER DRAWING							

Mouser Electronics

Authorized Distributor

Click to View Pricing, Inventory, Delivery & Lifecycle Information:

[TE Connectivity:](#)

[2108613-5](#)