

ELUM™ Series Right Angle Illuminated Latching Pushbutton

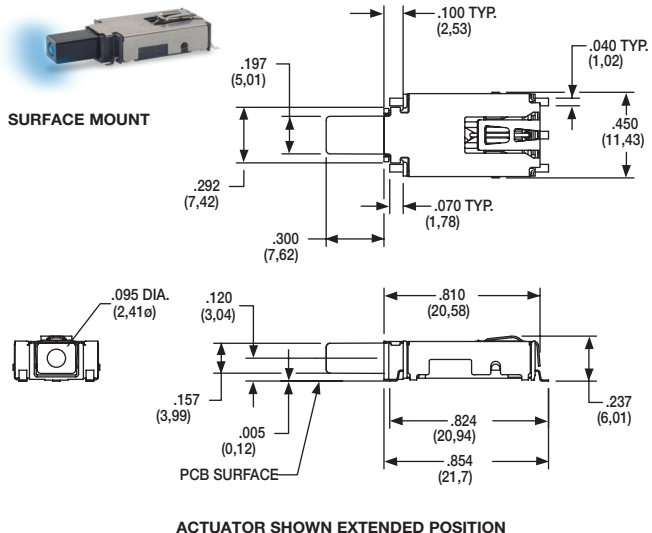


A

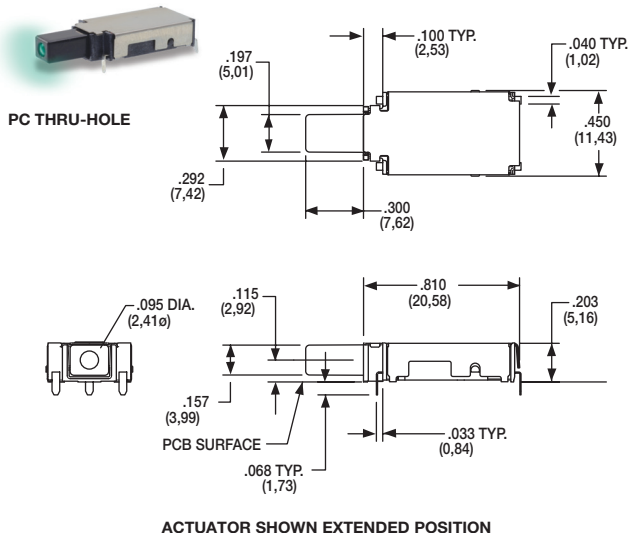
Pushbutton

STANDARD OPTIONS

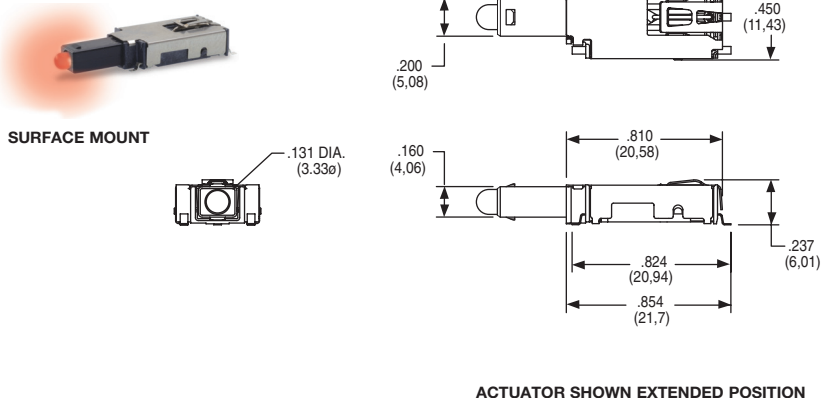
ELUMEEAQA7C12



ELUMOATHQ6C12



ELUMEEAQA3C22



DESIGNATION **ELUM** □ □ □ □ □ □ □ □ □ □

ELUM ELUM SERIES, Illuminated Latching Pushbutton

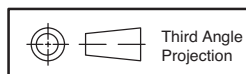
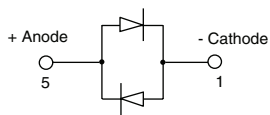
SWITCH FUNCTION

OPTION CODE	NO. OF POLES	POSITION 1	CONNECTED TERMINALS	POSITION 2	CONNECTED TERMINALS	SCHEMATIC
		SWITCH FUNCTION		SWITCH FUNCTION		
OA / OC	SP Momentary	ON	3 - 4	ON (Mom.)	3 - 2	
EE	SP Latching (Push-Push)	ON	3 - 4	ON	3 - 2	

For SPST N.O. function, only terminals 3 & 2 are used.
 For SPST N.C. function, only terminals 3 & 4 are used.
 Circuit: Make before break

LED pins 1 & 5 are independent of switch function.

NOTE:
 For bi-color LED's the polarity must be reversed to alternate the color



Dimensions are shown: Inches (mm)
 Specifications and dimensions subject to change

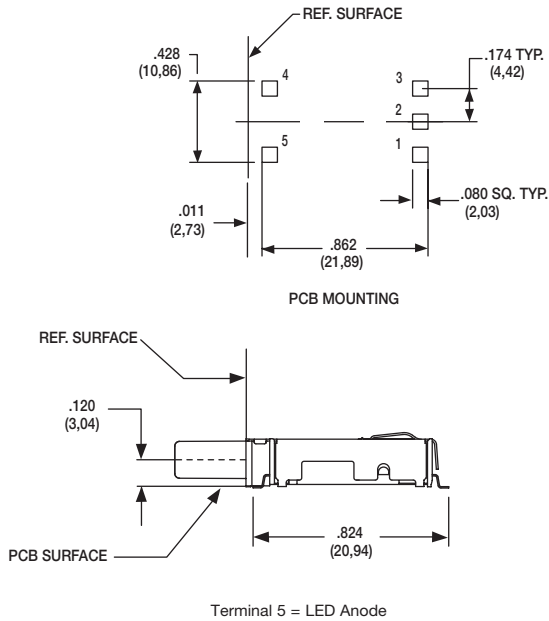


ELUM™ Series Right Angle Illuminated Latching Pushbutton

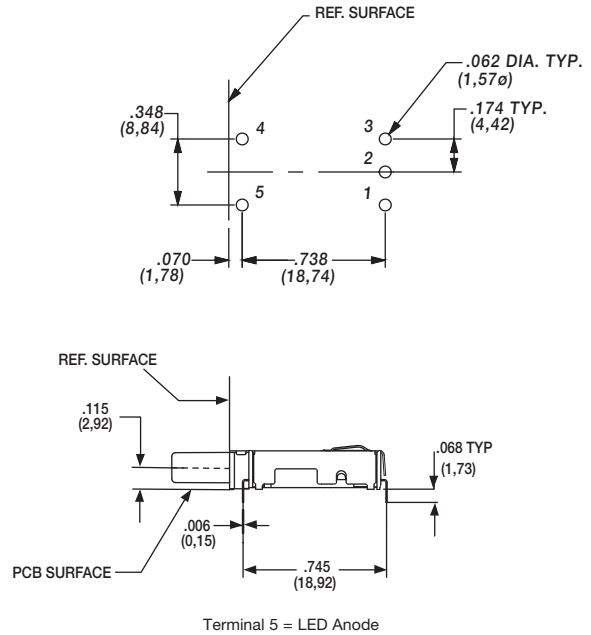
TERMINAL STYLE

Pushbutton
A

SA RIGHT ANGLE, SURFACE MOUNT



TH RIGHT ANGLE, PC THRU-HOLE



CONTACT MATERIAL

OPTION CODE	CONTACT MATERIAL	TERMINAL PLATING	RATINGS
Q	SILVER WITH GOLD FLASH	SILVER	250 mA

* Note: See Technical Data section of this catalog for RoHS compliant and compatible definitions and specifications.

FIXED CONTACTS AND TERMINALS: Stainless steel, silver plated with gold flash

MOVABLE CONTACTS: Copper alloy, silver plated with gold flash

NOTE: Any models supplied with Q, contact material are RoHS compliant.

ILLUMINATION

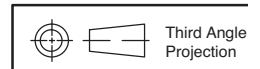
OPTION CODE	ILLUMINATION TYPE	TYPICAL INTENSITY* MIN	TYPICAL INTENSITY* MAX	PEAK WAVELENGTH	V _f Forward Voltage
		(mcd)		(nm)	
0	Model without illumination	N/A		N/A	
1	LED Super White	4,000	5,000	N/A	3.5
2	LED Bi-Color – Red (Green)	10	20	635/565	2.0
3	LED Red	4	8	700	2.0
5	LED Amber	35	50	610	2.0
6	LED Green	35	50	565	2.0
7	LED Super Blue	800	1,500	470	3.8
8	LED Bi-Color – Amber (Green)	10	10	585/565	2.0

*LED FORWARD CURRENT: 20 mA

LED FORWARD VOLTAGE: see chart above

LED REVERSE VOLTAGE: 5.0 V MAX

* For information on specific and custom LED, please contact Customer Service.



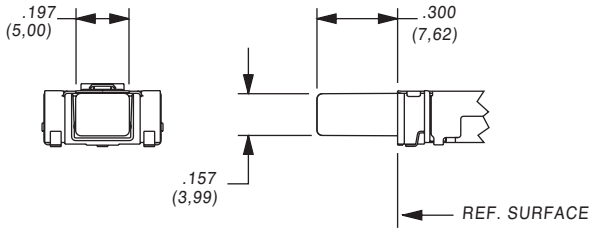
ELUM™ Series Right Angle Illuminated Latching Pushbutton



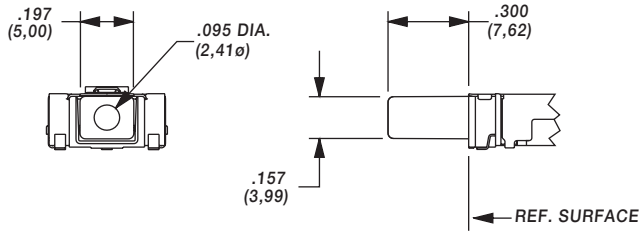
A
Pushbutton

ACTUATOR STYLE*

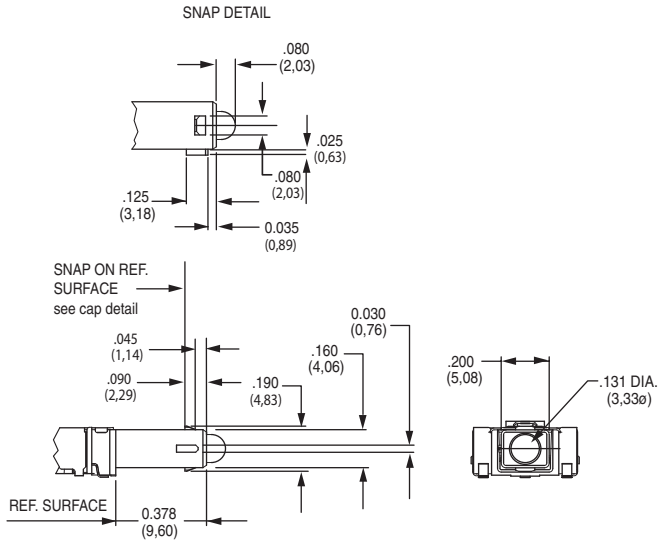
C02 BLACK WITHOUT WINDOW



C12 BLACK WITH WINDOW

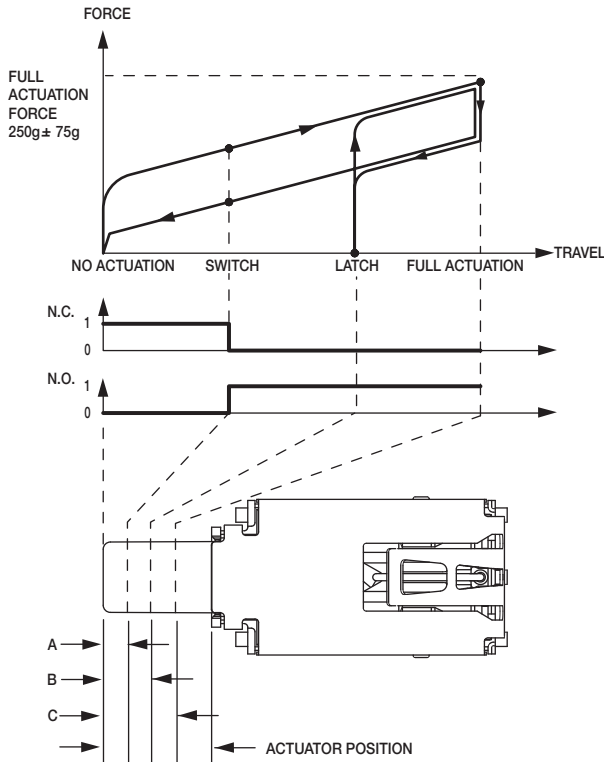


C22 BLACK WITH WINDOW AND SNAP FEATURE TO ACCEPT CUSTOM CAP



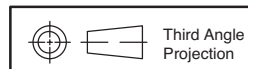
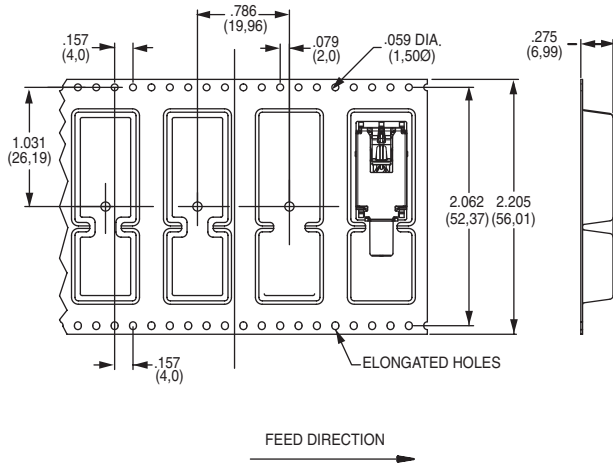
* Custom actuators available, please contact Customer Service.

FORCE TRAVEL DIAGRAM



OA, EE ACTUATOR POSITION			
A	SWITCH POINT	.067 ± .020	1,7 ± 0.5mm
B	LATCH	.131 ± .020	3,3 ± 0.5mm
C	FULL ACTUATION	.200 ± .020	5,1 ± 0.5mm
OC ACTUATOR POSITION			
A	SWITCH POINT	.067 ± .020	1,7 ± 0.5mm
C	FULL ACTUATION	.098 ± .020	2,5 ± 0.5mm

TAPE & REEL



Dimensions are shown: Inches (mm)
Specifications and dimensions subject to change





ELUM™ Series Right Angle Illuminated Latching Pushbutton

AVAILABLE HARDWARE

A
Pushbutton

Cap



PART NO.

957C00000 High temperature black cap with universal standby symbol

956C02000 High temperature black cap with no symbol

Material: 4/6 Nylon SMT compatible

Cap



PART NO.

181D01000 Paint and Laser Etched with black paint and universal standby symbol

Material: Clear polycarbonate

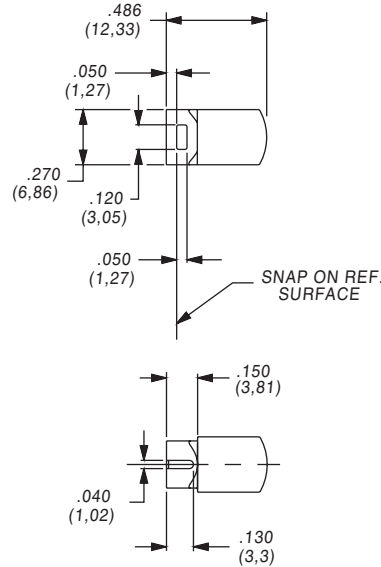
Cap



PART NO.

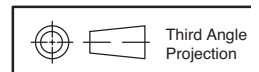
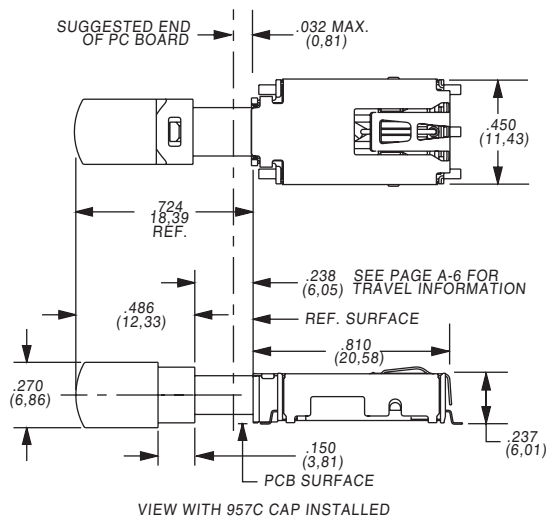
181D00000 Paint and laser etched with white paint underlay and black paint with universal standby symbol.

Material: Clear polycarbonate



NOTE: Caps are for use with the C22 actuator style. Other colors and symbols available, consult Customer Service Center.

CAP INSTALLATION



Dimensions are shown: Inches (mm)
Specifications and dimensions subject to change



Mouser Electronics

Authorized Distributor

Click to View Pricing, Inventory, Delivery & Lifecycle Information:

C&K Switches:

[ELUMOASQA3C12](#) [ELUMOASQA6C12](#) [ELUMEESAQC02](#) [ELUMOASQAQC02](#) [ELUMOASQA7C12](#)
[ELUMEESAQ3C12](#) [ELUMEESAQ6C12](#) [ELUMEESAQ7C12](#) [ELUMEESAQ2C22](#) [ELUMOASQA8C22](#)
[ELUMEETHQ8C22](#) [ELUMEETHQ2C22](#) [ELUMOATHQ2C22](#) [ELUMEESAQ2C12](#) [ELUMEESAQ1C12](#)
[ELUMEESAQ1C22](#) [ELUMEESAQ3C22](#) [ELUMEESAQ5C12](#) [ELUMEESAQ6C22](#) [ELUMEESAQ7C22](#)
[ELUMEESAQ8C12](#) [ELUMEESAQ8C22](#) [ELUMEETHQ1C12](#) [ELUMEETHQ3C12](#) [ELUMEETHQ5C12](#)
[ELUMEETHQ6C12](#) [ELUMEETHQ7C12](#) [ELUMEETHQ7C22](#) [ELUMEETHQ8C12](#) [ELUMEETHQC02](#)
[ELUMOASQA1C12](#) [ELUMOASQA1C22](#) [ELUMOASQA5C12](#) [ELUMOASQA6C22](#) [ELUMOASQA7C22](#)
[ELUMOASQA8C12](#) [ELUMOATHQ3C12](#) [ELUMOATHQ6C12](#) [ELUMOATHQ7C12](#) [ELUMOATHQC02](#)
[ELUMEETHQ6C22](#) [ELUMEETHQ2C12](#) [ELUMOATHQ7C22](#) [ELUMOATHQ2C12](#) [ELUMOASQA2C12](#)
[ELUMOATHQ6C22](#) [ELUMOASQA2C22](#) [ELUMOATHQC22](#) [ELUMOATHQ8C12](#) [ELUMOATHQ8C22](#)
[ELUMOATHQ5C12](#) [ELUMOATHQ1C12](#) [ELUMEETHQ1C22](#) [ELUMOATHQ1C22](#) [ELUMEETHQ3C22](#)
[ELUMOCQA7C12](#)