

# 1 Characteristics

**Table 1. Absolute maximum rating (limiting values)**

Symbol	Parameter	Value			Unit
		Min.	Typ.	Max.	
P <sub>IN</sub>	Input power RF <sub>IN</sub>			25	dBm
V <sub>ESD (HBM)</sub>	Human body model, JESD22-A114-B, All I/O	2			kV
V <sub>ESD (MM)</sub>	Machine model, JESD22-A115-A, All I/O	100			V
V <sub>ESD (CDM)</sub>	Charge device model, JESD22-C101-C, All I/O	500			V
T <sub>OP</sub>	Operating temperature	-30		+85	°C

**Table 2. Electrical characteristics (T<sub>amb</sub> = 25 °C) - impedances**

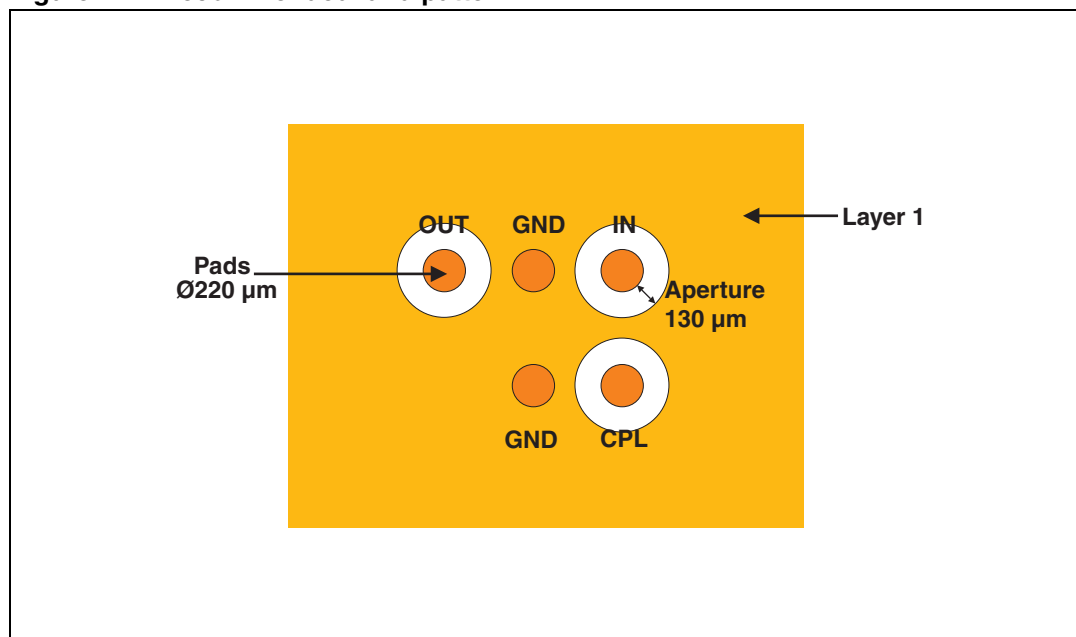
Symbol	Parameter	Value			Unit
		Min.	Typ.	Max.	
Z <sub>OUT</sub>	Nominal output impedance		50		Ω
Z <sub>IN</sub>	Nominal input impedance		50		Ω
Z <sub>CPLD</sub>	Nominal coupling impedance		50		Ω

**Table 3. Electrical characteristics (T<sub>amb</sub> = 25 °C) - RF performance**

Symbol	Parameter	Test condition	Value			Unit
			Min.	Typ.	Max.	
T <sub>OP</sub>	Operating temperature		-30		+85	°C
f	Frequency range (bandwidth)		2400		5850	MHz
I <sub>L</sub>	Insertion loss in bandwidth	From 2400 MHz to 2500 MHz			0.2	dB
		From 4900 MHz to 5850 MHz			0.5	
R <sub>L</sub>	Return loss in bandwidth (IN, OUT pins)	From 2400 MHz to 5850 MHz	15			dB
CPLD	Coupling factor	From 2400 MHz to 2500 MHz	17	18	19	dB
		From 4900 MHz to 5850 MHz	11	12	13	dB

## 2 PCB recommendation

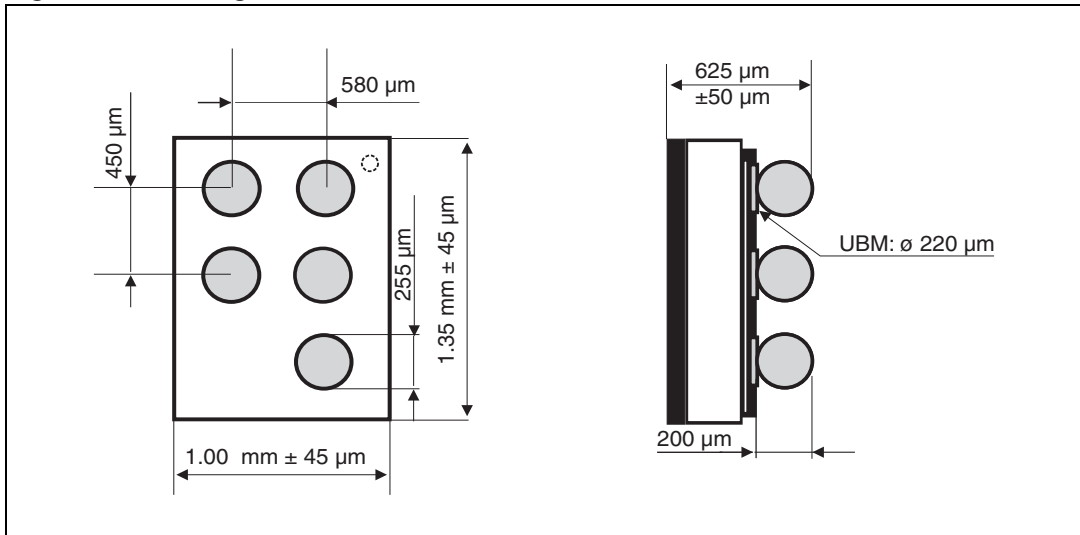
Figure 2. Recommended land pattern



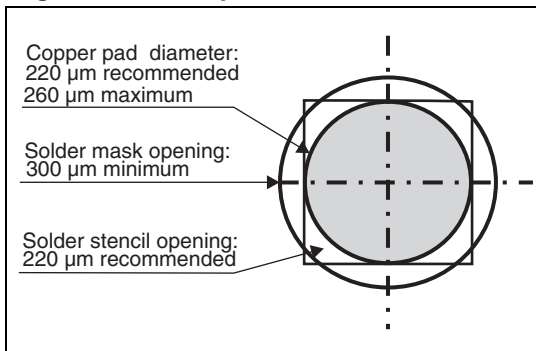
### 3 Package information

In order to meet environmental requirements, ST offers these devices in different grades of ECOPACK® packages, depending on their level of environmental compliance. ECOPACK® specifications, grade definitions and product status are available at: [www.st.com](http://www.st.com). ECOPACK® is an ST trademark.

**Figure 3. Package dimensions**



**Figure 4. Footprint**



**Figure 5. Marking**

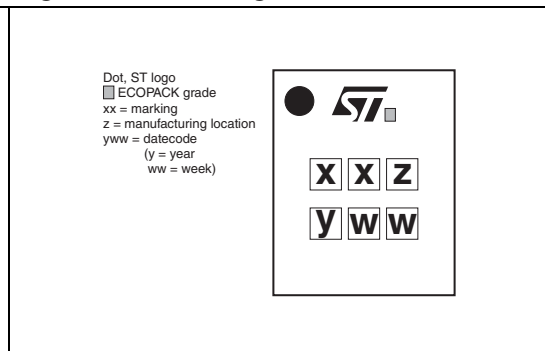
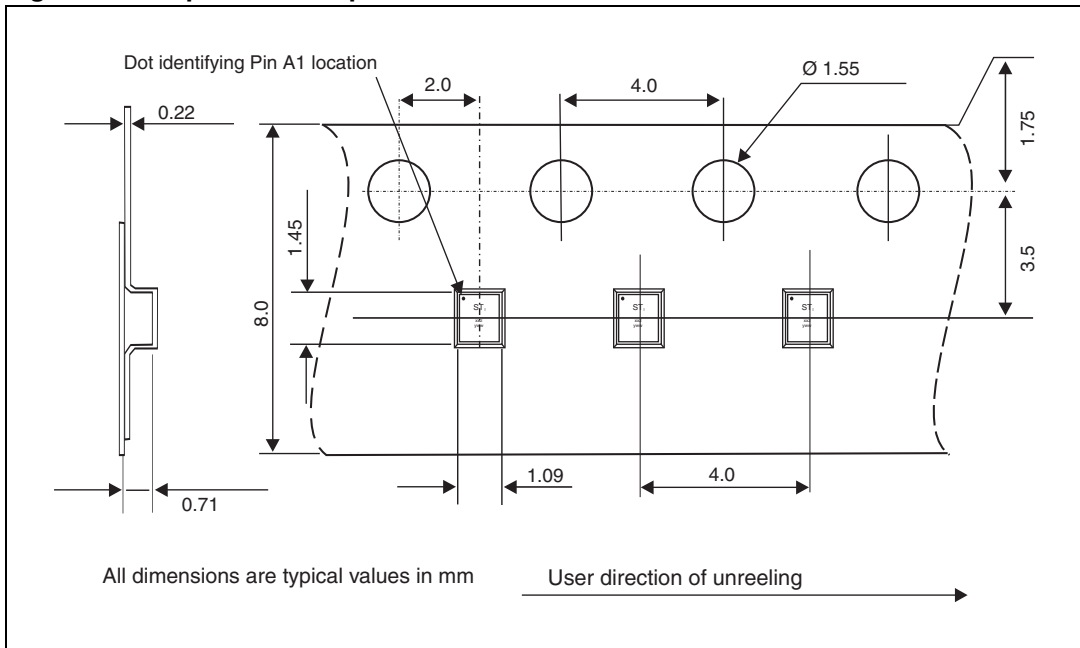


Figure 6. Tape and reel specifications



Note: More information is available in the STMicroelectronics Application note:  
AN2348, "IPAD™ 400 μm Flip Chip: package description and recommendations for use"  
AN1751: "EMI Filters: recommendations and measurements"

## 4 Ordering information

Table 4. Ordering information

Order code	Marking	Package	Weight	Base qty	Delivery mode
CPL-WB-02D3	SE	Flip Chip	1.59 mg	5000	Tape and reel

## 5 Revision history

Table 5. Document revision history

Date	Revision	Changes
18-Jun-2012	1	Initial release

**Please Read Carefully:**

Information in this document is provided solely in connection with ST products. STMicroelectronics NV and its subsidiaries ("ST") reserve the right to make changes, corrections, modifications or improvements, to this document, and the products and services described herein at any time, without notice.

All ST products are sold pursuant to ST's terms and conditions of sale.

Purchasers are solely responsible for the choice, selection and use of the ST products and services described herein, and ST assumes no liability whatsoever relating to the choice, selection or use of the ST products and services described herein.

No license, express or implied, by estoppel or otherwise, to any intellectual property rights is granted under this document. If any part of this document refers to any third party products or services it shall not be deemed a license grant by ST for the use of such third party products or services, or any intellectual property contained therein or considered as a warranty covering the use in any manner whatsoever of such third party products or services or any intellectual property contained therein.

**UNLESS OTHERWISE SET FORTH IN ST'S TERMS AND CONDITIONS OF SALE ST DISCLAIMS ANY EXPRESS OR IMPLIED WARRANTY WITH RESPECT TO THE USE AND/OR SALE OF ST PRODUCTS INCLUDING WITHOUT LIMITATION IMPLIED WARRANTIES OF MERCHANTABILITY, FITNESS FOR A PARTICULAR PURPOSE (AND THEIR EQUIVALENTS UNDER THE LAWS OF ANY JURISDICTION), OR INFRINGEMENT OF ANY PATENT, COPYRIGHT OR OTHER INTELLECTUAL PROPERTY RIGHT.**

**UNLESS EXPRESSLY APPROVED IN WRITING BY TWO AUTHORIZED ST REPRESENTATIVES, ST PRODUCTS ARE NOT RECOMMENDED, AUTHORIZED OR WARRANTED FOR USE IN MILITARY, AIR CRAFT, SPACE, LIFE SAVING, OR LIFE SUSTAINING APPLICATIONS, NOR IN PRODUCTS OR SYSTEMS WHERE FAILURE OR MALFUNCTION MAY RESULT IN PERSONAL INJURY, DEATH, OR SEVERE PROPERTY OR ENVIRONMENTAL DAMAGE. ST PRODUCTS WHICH ARE NOT SPECIFIED AS "AUTOMOTIVE GRADE" MAY ONLY BE USED IN AUTOMOTIVE APPLICATIONS AT USER'S OWN RISK.**

Resale of ST products with provisions different from the statements and/or technical features set forth in this document shall immediately void any warranty granted by ST for the ST product or service described herein and shall not create or extend in any manner whatsoever, any liability of ST.

ST and the ST logo are trademarks or registered trademarks of ST in various countries.

Information in this document supersedes and replaces all information previously supplied.

The ST logo is a registered trademark of STMicroelectronics. All other names are the property of their respective owners.

© 2012 STMicroelectronics - All rights reserved

STMicroelectronics group of companies

Australia - Belgium - Brazil - Canada - China - Czech Republic - Finland - France - Germany - Hong Kong - India - Israel - Italy - Japan - Malaysia - Malta - Morocco - Philippines - Singapore - Spain - Sweden - Switzerland - United Kingdom - United States of America

[www.st.com](http://www.st.com)



# Mouser Electronics

Authorized Distributor

Click to View Pricing, Inventory, Delivery & Lifecycle Information:

[STMicroelectronics:](#)

[CPL-WB-02D3](#)